

THIS DOCUMENT IS SUBJECT TO CHANGE WITHOUT NOTICE. IT IS CONFIDENTIAL AND A PROPERTY OF Amphenol LTW. DISCLOSURE TO THIRD PARTY HAS TO BE AUTHORIZED BY Amphenol LTW.

8 FMMW0702-01-01A2

REV. A	ECN NO.	DATE	SIGN	DESCRIPTION
Initial Release		2010/07/27	Doreen	Change REV.01 to REV.A

DATE	DRAWN BY	ITEM NO
2010/07/29	Doreen	LJ23-06DFMC-SL7001
DATE	CHECKED BY	DWG NO
2010/07/29	Winnie	LJ23-06DFMC-SL7001
DATE	APPROVED BY	CUSTOMER
2010/08/06	Kevin	ALTW

7  
6  
5  
4  
3  
2  
1

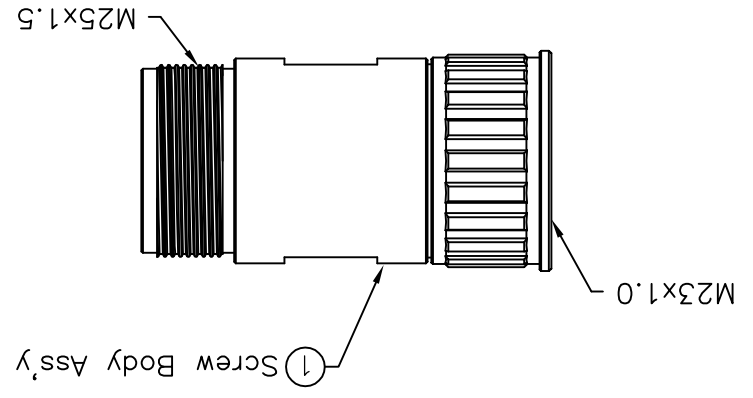
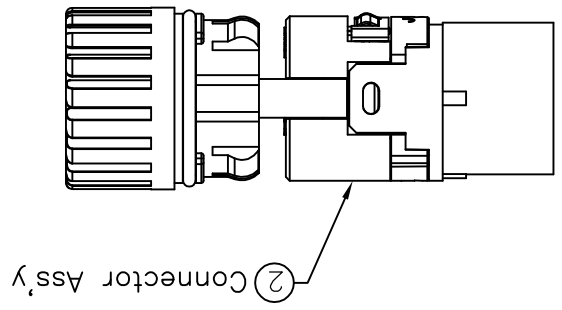
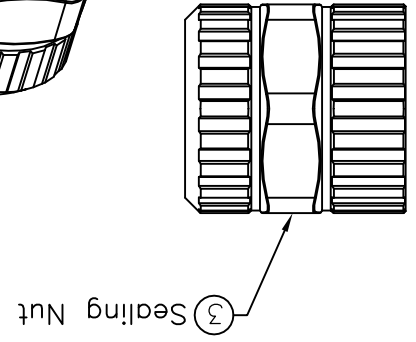
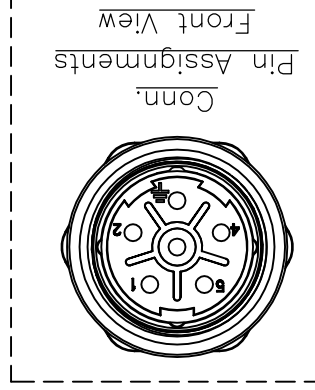
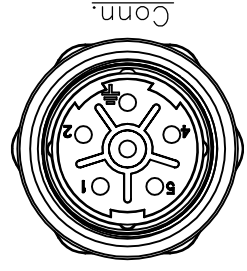
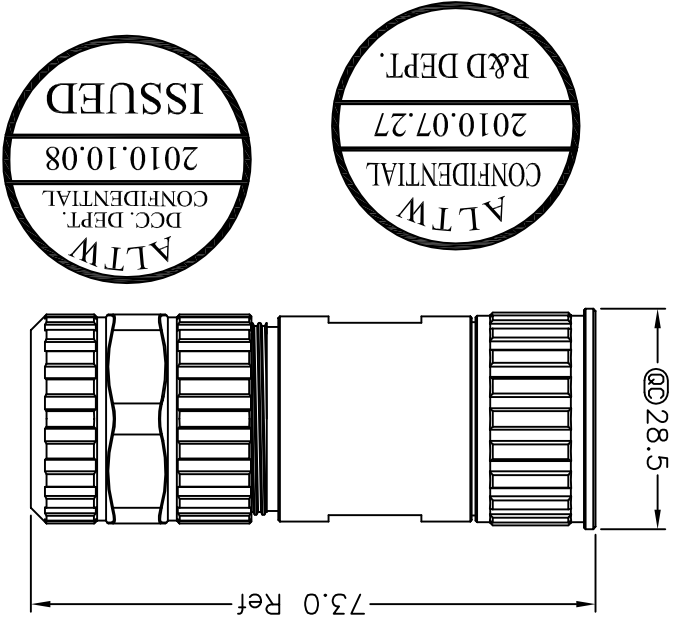
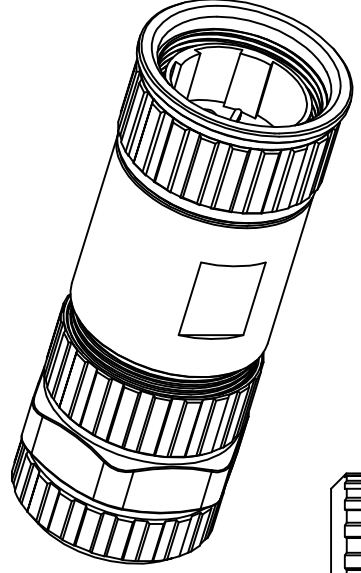
REV.	SIZE	SCALE	TITLE
A	A4	Free	M23 CABLE ASS'Y Type,
SHEET 1 OF 2		F CON, M PIN	

Amphenol LTW  
安費諾亮泰企業股份有限公司

REVISIONS	REVISION	DATE	BY

UNIT:mm	TOLERANCE
±0.25	±0.1
±0.05	±0.05
±1	ANGLES

- Note:
- \* @ Important Dimension.
  - \* Waterproof Rate: P67.
  - \* Connector: Nylon, Black.
  - \* Male Pin: Copper Alloy, Gold Plated.
  - \* Screw Nut: Copper Alloy, Nickel Plated.
  - \* Gasket: Silicone, UL94V-0, Gray.
  - \* Recommended Gauge: 14 Awg, 12 Awg.
  - \* Cable OD: B1:  $\varnothing 8.5 \sim \varnothing 12 \text{mm}$  ;
  - \* B2:  $\varnothing 12 \sim \varnothing 17.5 \text{mm}$



8  
7  
6  
5  
4  
3  
2  
1

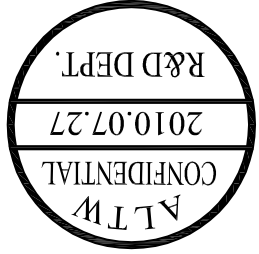
THIS DOCUMENT IS SUBJECT TO CHANGE WITHOUT NOTICE. IT IS CONFIDENTIAL AND A PROPERTY OF Amphenol LTW. DISCLOSURE TO THIRD PARTY HAS TO BE AUTHORIZED BY Amphenol LTW.

UNIT:mm	±1
TOLERANCE	±0.25
	±0.1
	±0.05
ANGLES	XX
	XXX

TITLE	M23 CABLE ASS'Y Type,
	F CON, M PIN
SCALE	Free
	SHEET 2 OF 2
REV.	A
	SIZE A4
©: Inspection Item	

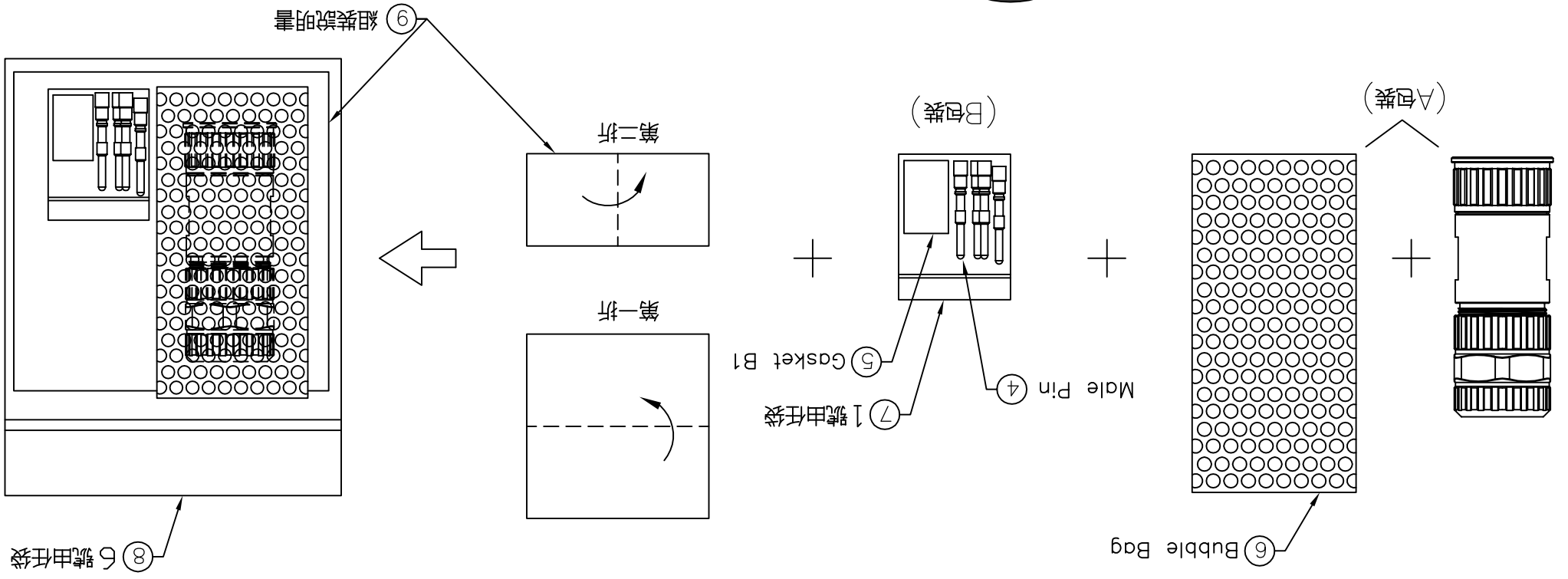
ITEM NO	LJ23-06DFMC-SL7001
DWG NO	LJ23-06DFMC-SL7001
CUSTOMER	ALTW
<b>安費諾亮泰企業股份有限公司</b>	

DATE	2010/07/29	DRAWN BY	Doreen
DATE	2010/07/29	CHECKED BY	Winnie
DATE	2010/08/06	APPROVED BY	Kevin



包裝方式  
 A包裝: 將 ① ② ③ 組裝完成後裝入 ⑥ 氣泡袋中  
 B包裝: 將 ④ ⑤ 裝入 ⑦ 1號由任袋中

最後將 A 包裝與 B 包裝及 ⑨ 組裝說明書一同裝入 ⑧ 6 號由任袋中, 即放入紙箱



## X-ON Electronics

Largest Supplier of Electrical and Electronic Components

*Click to view similar products for [Circular MIL Spec Connector](#) category:*

*Click to view products by [Amphenol](#) manufacturer:*

Other Similar products are found below :

[89075GULPR](#) [0025-262-542](#) [0025-264-3014](#) [58-570121-04S](#) [0134-213-1208](#) [0134-213-2209](#) [0025-258-000](#) [60-042022-07P](#) [60-042022-19P](#)  
[60-042022-23P](#) [60-042217-10P](#) [0114-201-1278](#) [012-0467-000](#) [602GB06EG24-61SN](#) [0134-201-1207](#) [0134-213-1006](#) [6104-207-2302](#) [6104-](#)  
[208-1902](#) [61-168211-04P](#) [61-168617-10P](#) [6131-202-19149P](#) [6131-204-21149P](#) [6131-208-13149P](#) [6131-209-17149P](#) [6131-210-11149P](#) [6131-](#)  
[211-19149P](#) [6131-216-19149P](#) [6131-259-21149P](#) [6131-259-23149P](#) [6131-265-17149P](#) [6131-265-19149P](#) [CS3100A18-1P-472](#) [CS3100A-36-](#)  
[77P](#) [CS3101A-16-55P](#) [CS3102A-10SL-55P](#) [CS3102A-14S-58P](#) [CS3102A-32-17P](#) [CS3102A32-25S](#) [CS3102C18-4P-472](#)  
[CS3106A10SL3S004](#) [CS3106A-18-73S](#) [CS3108A-14S-52S](#) [CS3108A-28-51S](#) [6162-233-1277](#) [6162-324-1231](#) [M243082296Z](#)  
[M2884010AC1S1](#) [CT0-24-10SC](#) [CT0M20-7PCAU](#) [M28840/17AC1G3](#)