



■ Features :

- AC input 180 ~ 264VAC
- AC input active surge current limiting
- Protections: Short circuit / Overload / Over voltage / Over temperature
- Forced air cooling by built-in DC ball bearing fan
- High power density 7.8w/inch³
- With DC OK signal output
- Built-in remote ON-OFF control
- Built-in remote sense function
- UL / CUL approved
- Low cost
- 2 years warranty

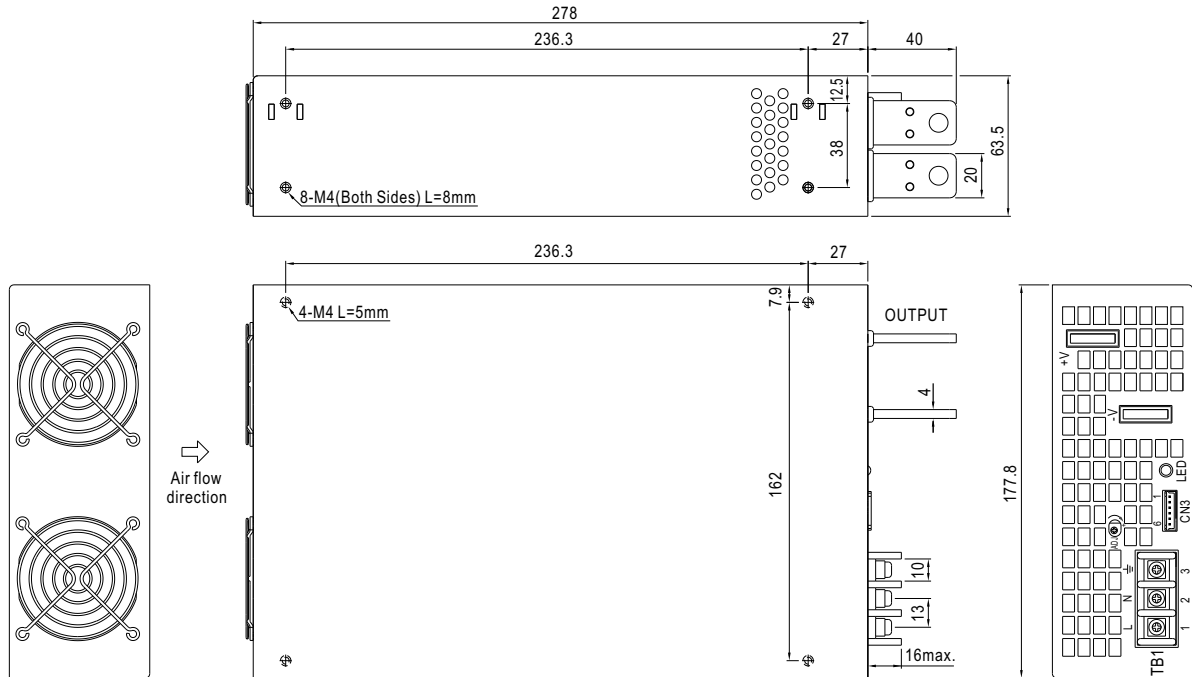


SPECIFICATION

MODEL	SE-1500-5	SE-1500-12	SE-1500-15	SE-1500-24	SE-1500-27	SE-1500-48	
OUTPUT	DC VOLTAGE	5V	12V	15V	24V	27V	48V
	RATED CURRENT	300A	125A	100A	62.5A	55.6A	31.3A
	CURRENT RANGE	0 ~ 300A	0 ~ 125A	0 ~ 100A	0 ~ 62.5A	0 ~ 55.6A	0 ~ 31.3A
	RATED POWER	1500W	1500W	1500W	1500W	1501.2W	1502.4W
	RIPPLE & NOISE (max.) Note.2	150mVp-p	150mVp-p	150mVp-p	150mVp-p	150mVp-p	150mVp-p
	VOLTAGE ADJ. RANGE	3.3 ~ 5.5V	10.8 ~ 13.5V	13.5 ~ 16.5V	21.6 ~ 26.4V	25 ~ 30V	43.2 ~ 56V
	VOLTAGE TOLERANCE Note.3	±2.0%	±1.0%	±1.0%	±1.0%	±1.0%	±1.0%
	LINE REGULATION	±0.5%	±0.5%	±0.5%	±0.5%	±0.5%	±0.5%
	LOAD REGULATION	±2.0%	±0.5%	±0.5%	±0.5%	±0.5%	±0.5%
	SETUP, RISE TIME	150ms, 12ms / 230VAC at full load					
HOLD UP TIME (Typ.)	26ms / 230VAC at full load						
INPUT	VOLTAGE RANGE	180 ~ 264VAC 254 ~ 370VDC					
	FREQUENCY RANGE	47 ~ 63Hz					
	EFFICIENCY (Typ.)	81%	85%	85%	87%	88%	89%
	AC CURRENT (Typ.)	17.5A / 230VAC					
	INRUSH CURRENT (Typ.)	60A / 230VAC					
	LEAKAGE CURRENT	<3.5mA / 240VAC					
PROTECTION	OVERLOAD	105 ~ 125% rated output power Protection type : Shut down o/p voltage, re-power on to recover					
	OVER VOLTAGE	5.75 ~ 6.75V	14.5 ~ 16.2V	18 ~ 21V	27.6 ~ 32.4V	31 ~ 35V	57.6 ~ 67.2V
	OVER TEMPERATURE	95°C ±5°C (5V), 85°C ±5°C (12V,15V), 80°C ±5°C (24V), 75°C ±5°C (27V,48V) (TSW1) detect on heatsink of o/p diode Protection type : Shut down o/p voltage, recovers automatically after temperature goes down					
FUNCTION	DC_OK SIGNAL	PSU turn on:3.3V ~ 5.6V PUS turn off:0 ~ 1V					
	REMOTE CONTROL	RC+/RC-: 0 ~ 0.8V power on; 4 ~ 10V power off					
ENVIRONMENT	WORKING TEMP.	-20 ~ +70°C (Refer to "Derating Curve")					
	WORKING HUMIDITY	20 ~ 90% RH non-condensing					
	STORAGE TEMP., HUMIDITY	-40 ~ +85°C, 10 ~ 95% RH					
	TEMP. COEFFICIENT	±0.05%/°C (0 ~ 50°C)					
	VIBRATION	10 ~ 500Hz, 2G 10min./1cycle, 60min. each along X, Y, Z axes					
SAFETY	SAFETY STANDARDS	UL60950-1 approved					
	WITHSTAND VOLTAGE	I/P-O/P:3KVAC I/P-FG:1.5KVAC O/P-FG:0.5KVAC					
	ISOLATION RESISTANCE	I/P-O/P, I/P-FG, O/P-FG:100M Ohms / 500VDC / 25°C / 70% RH					
OTHERS	MTBF	134.5K hrs min. MIL-HDBK-217F (25°C)					
	DIMENSION	278*177.8*63.5mm (L*W*H)					
	PACKING	3.3Kg; 4pcs/14.2Kg/1.14CUFT					
NOTE	<p>1. All parameters NOT specially mentioned are measured at 230VAC input, rated load and 25°C of ambient temperature.</p> <p>2. Ripple & noise are measured at 20MHz of bandwidth by using a 12" twisted pair-wire terminated with a 0.1uf & 47uf parallel capacitor.</p> <p>3. Tolerance : includes set up tolerance, line regulation and load regulation.</p>						

Mechanical Specification

Case No.982A Unit:mm



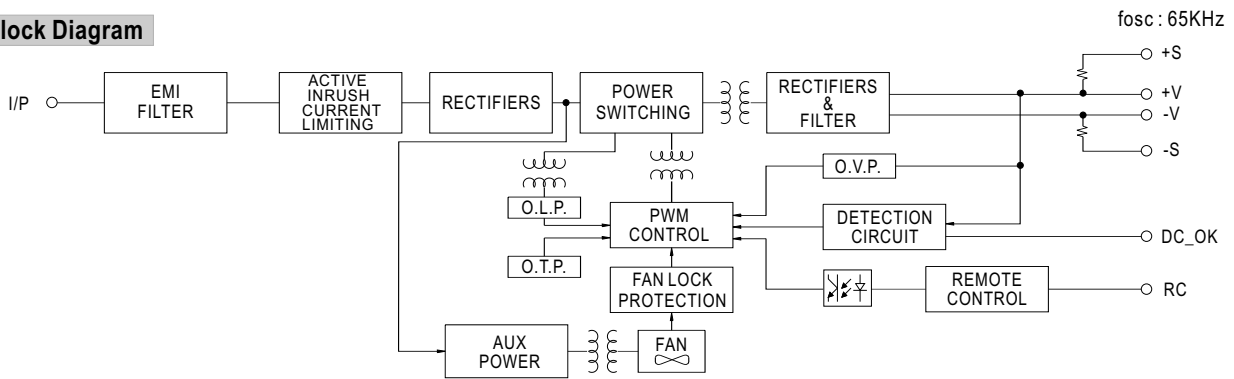
Terminal Pin No. Assignment :

Pin No.	Assignment
1	AC/L
2	AC/N
3	FG \perp

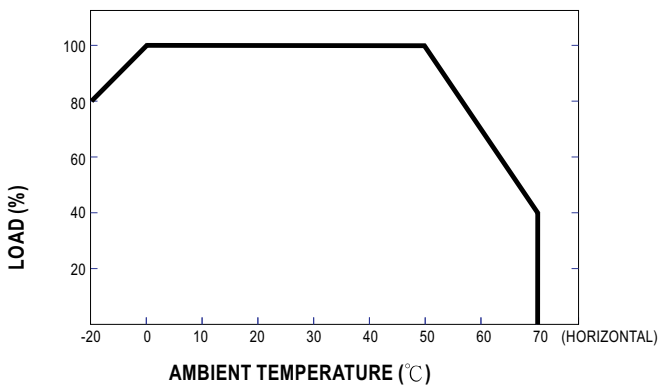
Control Pin (CN3) : JST B6B-XH or equivalent

Pin No.	Assignment	Pin No.	Assignment	Mating Housing	Terminal
1	DC_OK Signal	4	+S	JST XHP or equivalent	JST SXH-001T or equivalent
2	DC_OK GND	5	RC-		
3	-S	6	RC+		

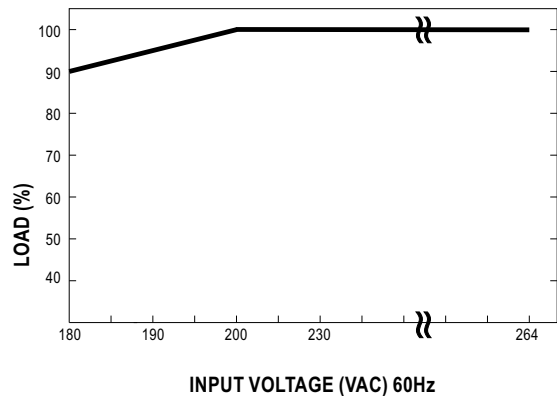
Block Diagram



Derating Curve



Static Characteristics



■ Function Description of CN3

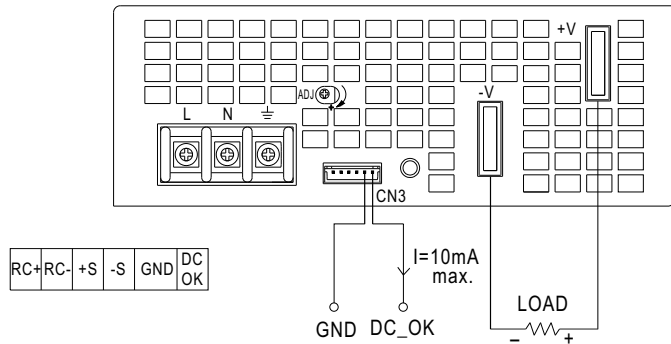
Pin No.	Function	Description
1	DC_OK	DC_OK signal is a TTL level signal, referenced to pin2(DC_OK GND). "High" when PSU turns on.
2	GND	This pin connects to the negative terminal (-V). Return for DC_OK signal output.
3	-S	Negative sensing. The -S signal should be connected to the negative terminal of the load. The -S and +S leads should be twisted in pair to minimize noise pick-up effect.
4	+S	Positive sensing. The +S signal should be connected to the positive terminal of the load. The +S and -S leads should be twisted in pair to minimize noise pick-up effect.
5	RC-	Return for RC+ signal input.
6	RC+	Turns the output on and off by electrical or dry contact between pin 6 (RC+) and pin 5 (RC-). 0~0.8V: Power ON, 4~10V: Power OFF.

■ Function Manual

1. DC_OK Signal

DC_OK Signal is a TTL level signal. "High" when PSU turns on.

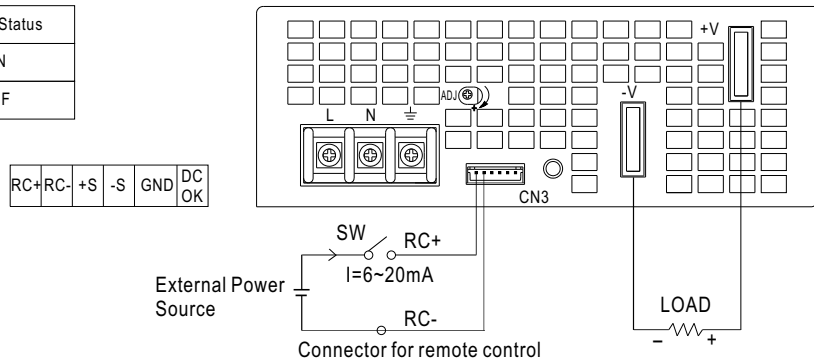
Between DC_OK(pin1) and GND(pin2)	Output Status
3.3 ~ 5.6V	ON
0 ~ 1V	OFF



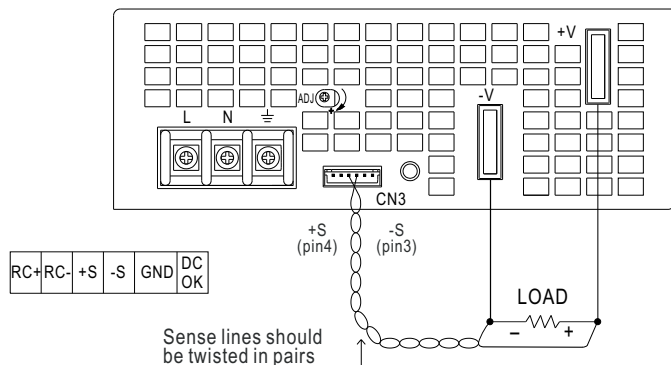
2. Remote Control

The PSU can be turned ON/OFF by using the "Remote Control" function.

Between RC+(pin6) and RC-(pin5)	Output Status
SW OFF (0 ~ 0.8V)	ON
SW ON (4 ~ 10V)	OFF



3. Remote Sense



X-ON Electronics

Largest Supplier of Electrical and Electronic Components

Click to view similar products for [Switching Power Supplies](#) category:

Click to view products by [Mean Well](#) manufacturer:

Other Similar products are found below :

[70841011](#) [73-551-0005](#) [AAD600S-4-OP](#) [R22095](#) [HWS50A-5/RA](#) [KD0204](#) [9021](#) [S-15F-12](#) [LDIN100150](#) [LPM000-BBAR-01](#) [LPX17S-C](#)
[EVS57-10R6/R](#) [FDC40-24S12](#) [FRV7000G](#) [22929](#) [CQM1IA121](#) [40370121900](#) [VI-PU22-EXX](#) [40370121910](#) [LDIN5075](#) [432703037161](#)
[WRB01X-U](#) [LPX140-C](#) [08-30466-1040G](#) [09-160CFG](#) [70841004](#) [70841025](#) [VPX3000-CBL-DC](#) [LPM000-BBAR-05](#) [LPM000-BBAR-08](#)
[LPM124-OUTA1-48](#) [LPM000-BBAR-07](#) [LPM109-OUTA1-10](#) [LPM616-CHAS](#) [08-30466-1055G](#) [08-30466-2175G](#) [DMB-EWG](#) [TVQF-](#)
[1219-18S](#) [6504-226-2101](#) [CQM1IPS01](#) [XPFM201A+](#) [MAP80-4000G](#) [LFP300F-24-TY](#) [SMP21-L20-DC24V-5A](#) [VI-MUL-ES](#) [08-30466-](#)
[0065G](#) [CME240P-24](#) [VI-RU031-EWWX](#) [08-30466-0028G](#) [S82Y-TS01](#)