

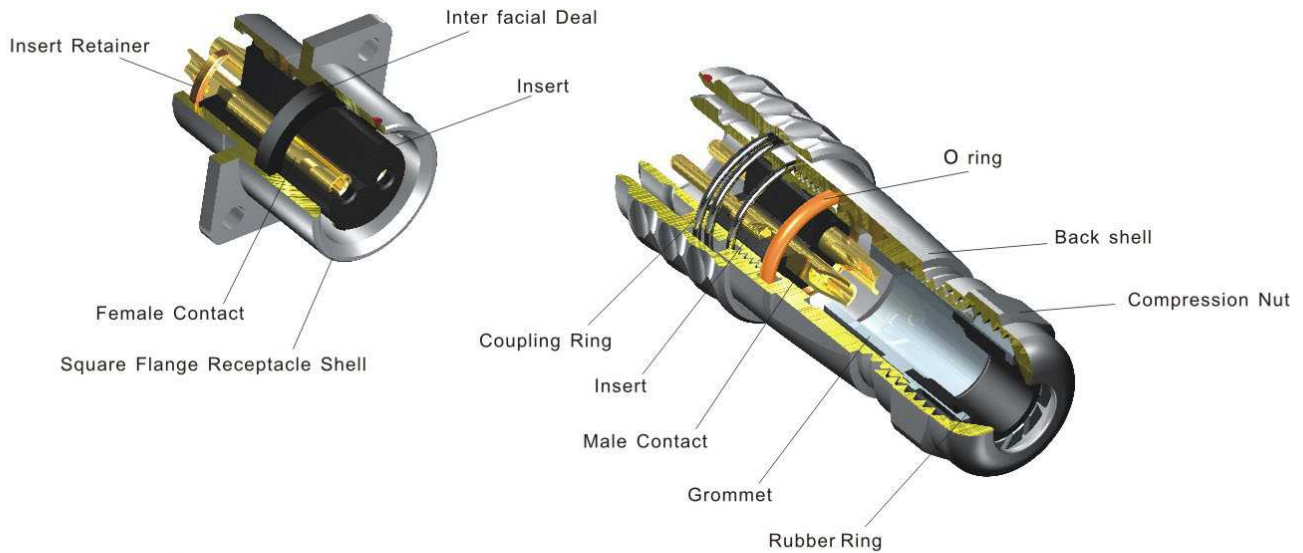
CIRCULAR CONNECTORS SERIES

**SF
12**



IP67 shielded connectors with push-pull coupling

SF series circular connector meets the requirements of IP67 and works reliably in many harsh environment applications, it is widely used in many kinds of electric and electronic devices. panel assembling: round flange and square flange. Patent pending



Material and spec

| | | |
|---------------------------|-------------------------|---------------|
| Back shell | brass | |
| Shell plating | chrome plated | |
| Insert material | Temperature range 260°C | |
| Contact material | brass | |
| Contact plating | gold over nickel | |
| Contact termination style | solder | |
| Cable OD range | Type I 3-6.5mm | Type II 4-8mm |
| IP rating | IP67 | |
| Mating cycle | > minimum 500 times | |
| Temperature range | -40 ~ +100°C | |
| Humidity | +40°C 95 ± 3% | |
| Vibration | 10 ~ 500Hz | 100m/S |
| Shock | 40 ~ 80 /min | 250m/S |

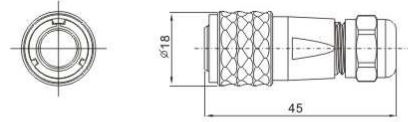
SF12 Series



SF1210/P

SF1210/S

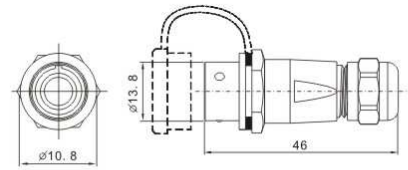
This item mates with SF1211, SF1212, SF1213 push-pull coupling Solder termination



SF1211/P

SF1211/S

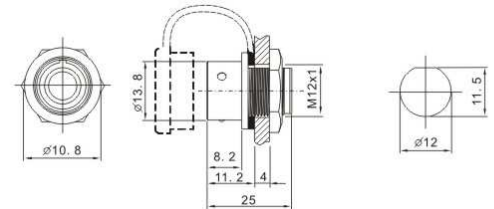
This item mates with SF1210 push-pull coupling Solder termination



SF1212/P

SF1212/S

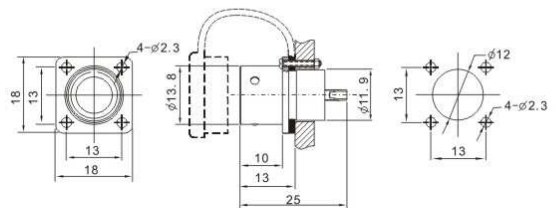
This item mates with SF1210 push-pull coupling Solder termination



SF1213/P

SF1213/S

This item mates with SF1210 push-pull coupling Solder termination



Insert configuration, face view of female

| Pin Number | 2 | 3 | 3 | 4 | 5 | 6 | 7 |
|--------------------------------|---------|--------|-----------|-----------|-----------|-----------|-----------|
| Insert configuration | | | | | | | |
| | 2pole | 3pole | 3pole | 4pole | 5pole | 6pole | 7pole |
| Rated current A | 13A | 13A | 5A | 5A | 5A | 5A | 5A |
| Size and No. of contact | ∅ 1.6X2 | ∅1.6X3 | ∅1X3 | ∅ 1X4 | ∅1X5 | ∅1X6 | ∅ 1X7 |
| Rated voltage (A.C.V. rms) | 250V | 250V | 250V | 200V | 180V | 125V | 125V |
| Test voltage (A.C.V) 1min | 1500V | 1500V | 1500V | 1500V | 1000V | 1000V | 1000V |
| Contact resistance mΩ | 2 | 2 | 5 | 5 | 5 | 5 | 5 |
| Insulation resistance mΩ | 2000 | 2000 | 2000 | 2000 | 2000 | 2000 | 2000 |
| Wire size mm ² /AWG | ≤2/14 | ≤2/14 | ≤0.785/18 | ≤0.785/18 | ≤0.785/18 | ≤0.785/18 | ≤0.785/18 |

X-ON Electronics

Largest Supplier of Electrical and Electronic Components

Click to view similar products for [Circular Push Pull Connectors](#) category:

Click to view products by [Weipu](#) manufacturer:

Other Similar products are found below :

[FEA.1B.308.CYCD72Z](#) [D38999/20ZC8JA](#) [D38999/20ZG35PN-LC](#) [D38999/20ZG39BN](#) [D38999/20ZG41PN-LC](#) [D38999/20ZH21SA](#)
[D38999/20ZH53SA](#) [D38999/20ZJ24SA](#) [D38999/20ZJ29PA-LC](#) [D38999/20ZJ43HA](#) [D38999/20ZJ43PA-LC](#) [D38999/20ZJ61PA-LC](#)
[D38999/24ZF11SA-LC](#) [D38999/24ZF32BA](#) [D38999/24ZF32PA-LC](#) [D38999/24ZF32SA-LC](#) [D38999/24ZF35BA](#) [D38999/24ZF35SA-LC](#)
[EXG.00.250.NTNY](#) [FFA.00.250.CTAZ](#) [FFA.1S.302.CLAZ](#) [FFA.1Y.410.CTAC52](#) [FFA.2S.310.ZLA](#) [FFG.1B.302.CLAD52Z](#)
[FFG.1B.304.CLAD42Z](#) [FFG.1B.304.CLAD72Z](#) [FFG.1B.308.CLAD42Z](#) [FGA.1B.304.CLAD62Z](#) [FGA.1B.304.CYCD72Z](#)
[FGA.1B.305.CLAD76](#) [FGA.1B.306.CYCD72](#) [FGA.1B.307.CYCD72Z](#) [FGA.1B.308.CLAD76Z](#) [FGA.1B.308.CYCD42Z](#)
[FGA.1B.308.CYCD52Z](#) [FGA.1B.308.CYCD72Z](#) [FGA.1B.310.CLAD42](#) [FGA.1B.310.CLAD52Z](#) [FGA.1B.316.CLAD42](#)
[FGA.1B.316.CLAD62Z](#) [FGA.1B.316.CLAD76](#) [FGB.0B.307.CYCD31Z](#) [FGB.1B.302.CLAD72](#) [FGB.1B.303.CYCD62](#) [FGB.1B.305.CLAZ](#)
[FGB.1B.307.CYCD62Z](#) [FGB.1B.316.CLAD42](#) [FGC.0B.309.CLAD56](#) [FGC.1B.304.CLAD52Z](#) [FGC.1B.305.CLAD52Z](#)