

# **LL-304UYC2E-Y2-4DC**

## **DATA SHEET**

QC:

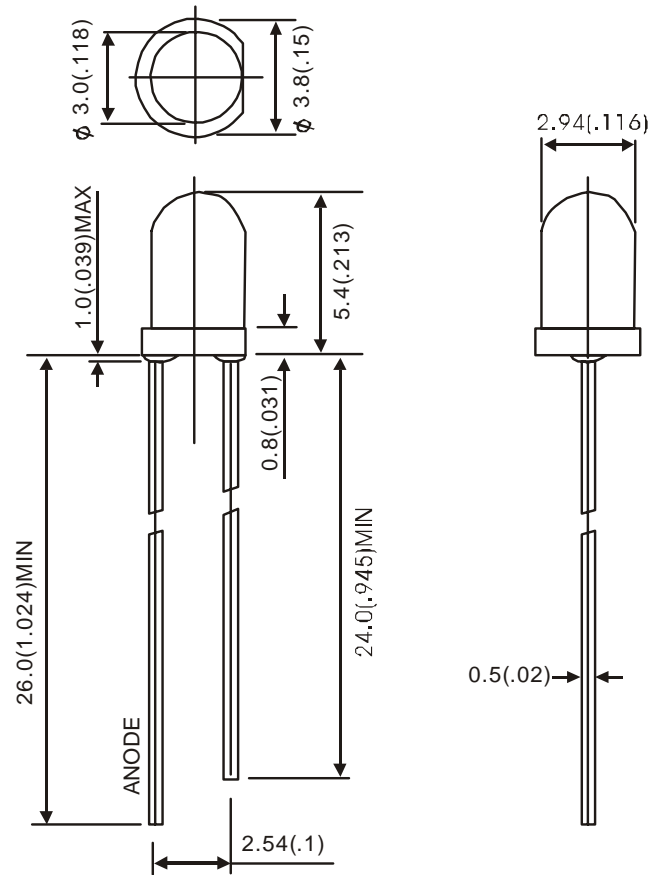
ENG:

Prepared By:

## Features

- ◆ Standard T-1 diameter type package
- ◆ Small viewing angle
- ◆ General purpose leads
- ◆ Reliable and rugged

## Package Dimension:



| Part NO.           | Chip Material | Lens Color  | Source Color        |
|--------------------|---------------|-------------|---------------------|
| LL-304UYC2E-Y2-4DC | InGaAlP       | Water Clear | Super Bright Yellow |

### Notes:

1. All dimensions are in millimeters (inches).
2. Tolerance is  $\pm 0.25(.010)$  mm unless otherwise noted.
3. Protruded resin under flange is  $1.0\text{mm}(.04)$  max
4. Lead spacing is measured where the leads emerge from the package.
5. Specifications are subject to change without notice

**Absolute Maximum Ratings at Ta=25°C**

| Parameter  | MAX.                | Unit  |
|--|---------------------|-------|
| Power Dissipation  | 85                  | mW    |
| Peak Forward Current<br>(1/10 Duty Cycle, 0.1ms Pulse Width) | 100                 | mA    |
| Continuous Forward Current                                   | 50                  | mA    |
| Derating Linear From 50°C                                    | 0.4                 | mA/°C |
| Reverse Voltage  | 5                   | V     |
| Operating Temperature Range                                  | -40°C to +80°C      |       |
| Storage Temperature Range                                    | -40°C to +80°C      |       |
| Lead Soldering Temperature<br>[4mm(.157") From Body]         | 260°C for 5 Seconds |       |

**Electrical Optical Characteristics at Ta=25°C**

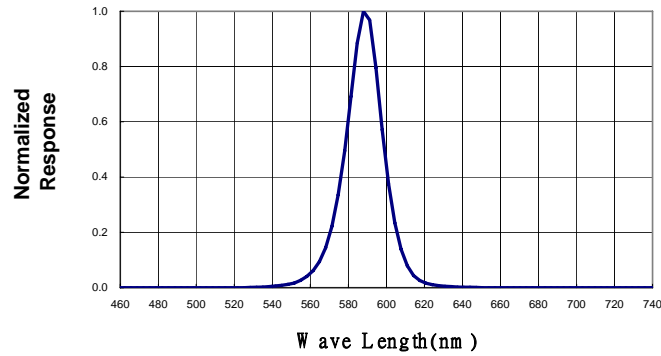
| Parameter                | Symbol             | Min. | Typ. | Max. | Unit | Test Condition                |
|--------------------------|--------------------|------|------|------|------|-------------------------------|
| Luminous Intensity       | I <sub>v</sub>     | 3100 | 5000 | ---  | mcd  | I <sub>F</sub> =20mA (Note 1) |
| Viewing Angle            | 2 θ <sub>1/2</sub> | ---  | 20   | ---  | Deg  | (Note 2)                      |
| Peak Emission Wavelength | λ <sub>p</sub>     | ---  | 588  | ---  | nm   | I <sub>F</sub> =20mA          |
| Dominant Wavelength      | λ <sub>d</sub>     | ---  | 590  | ---  | nm   | I <sub>F</sub> =20mA (Note 3) |
| Spectral Line Half-Width | △λ                 | ---  | 19   | ---  | nm   | I <sub>F</sub> =20mA          |
| Forward Voltage          | V <sub>F</sub>     | 1.7  | 2.0  | 2.4  | V    | I <sub>F</sub> =20mA          |
| Reverse Current          | I <sub>R</sub>     | ---  | ---  | 100  | μA   | V <sub>R</sub> =5V            |

**Note:**

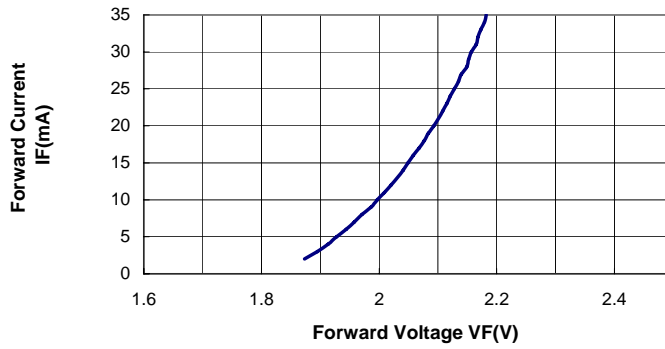
- Luminous intensity is measured with a light sensor and filter combination that approximates the CIE eye-response curve.
- θ<sub>1/2</sub> is the off-axis angle at which the luminous intensity is half the axial luminous intensity.
- The dominant wavelength (λ<sub>d</sub>) is derived from the CIE chromaticity diagram and represents the single wavelength which defines the color of the device.

**Typical Electrical / Optical Characteristics Curves**  
 (25°C Ambient Temperature Unless Otherwise Noted)

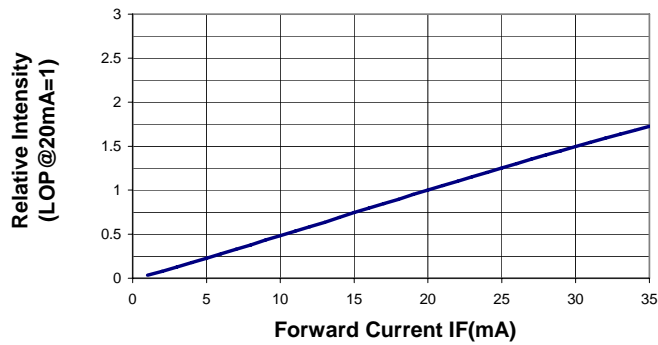
**Spectral Radiance (Peak @ 588 nm)**



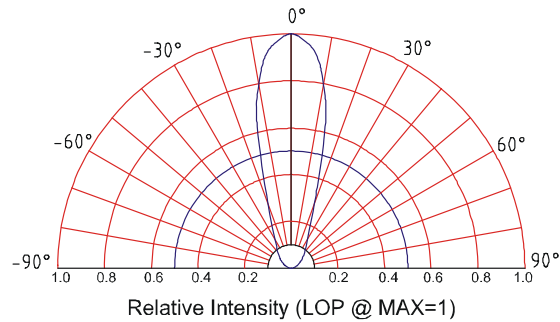
**Forward Current vs Forward Voltage**



**Relative Luminous Intensity vs Forward Current**



**Beam Pattern**



## X-ON Electronics

Largest Supplier of Electrical and Electronic Components

*Click to view similar products for [Standard LEDs - Through Hole category](#):*

*Click to view products by [Lucky Light manufacturer](#):*

Other Similar products are found below :

[LTL-10254W](#) [LTL-1214A](#) [LTL-1BEDJ](#) [LTL-2231AT](#) [LTL-3251A](#) [LTL-4262N](#) [LTL-5234](#) [LTL87HTBK](#) [LTD-87HD4B](#) [7383/V7C3-BSTA-L/PR3/MS](#) [G22041431007J2C000](#) [HLMP-AG64-X10ZZ](#) [HLMP-EG1A-Z10DV](#) [HLMP-EL3B-WXKDD](#) [HLMP-HB74-UVBDD](#) [HLMP-HG65-VY0DD](#) [HLMP-HM74-34CDD](#) [HLMP-HM75-34CDD](#) [1L0532V23G0TD001](#) [NSPW500CS](#) [C4SMA-BGF-CQ34Q3C2](#) [L53GC13](#) [264-7SURTS530-A3](#) [L-C150JRCT](#) [S4SMS-BJF-CQ42QGF2](#) [S4SMS-GJF-CW12QMF2](#) [LD CQDP-1U3U-W5-1-K](#) [LNX998CKBDA](#) [LO566UHR3-70G-A3](#) [SLA560WBD2PT3](#) [LP379PPG1C0G0300001](#) [SLR-322MCT32](#) [SLR-342DUT32](#) [SLR-342MC3F](#) [SLR343BC7TT32](#) [SLR343BCTT32](#) [SLX-LX3044GD](#) [SLX-LX3044ID](#) [SLX-LX3044YD](#) [SNW-LX504SRC/4](#) [1.90690.3330000](#) [SSL-LX20483ID](#) [SSL-LX3034YD](#) [SSL-LX5093LGT-11](#) [SSL-LX5093PGC](#) [SSL-LX5093SRC/F](#) [SSL-LX5093SYT](#) [SSL-LX5099SRSGC-CA](#) [SSL-LX509E3SIT](#) [SSL-LX509FT3ID](#)