

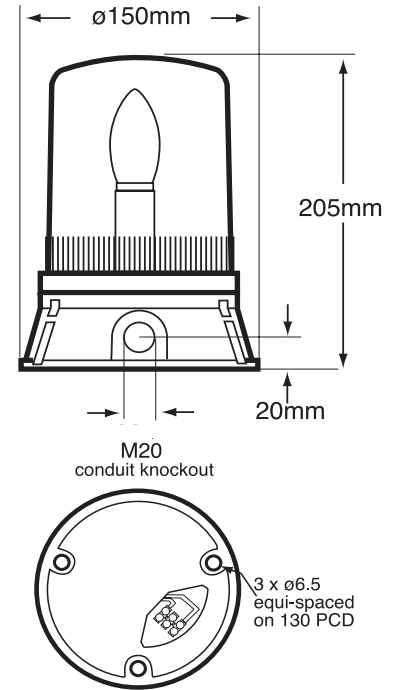


SF401/400-05/09



SF401-62/63

# Visual Signals STATIC FILAMENT BEACONS



## Industrial Static Filament Beacons > SF401/400 DIN Base Series

### Product overview

The SF401/400 series is suitable for security, process control and industrial applications where a more robust and powerful signal is required.

These beacons are of the Static mode type (single stage alarm). Once the beacon is energised the

Incandescent / halogen lamp will stay permanently on.

An advantage of this type of beacon is that it can be controlled via a remote source (ie. control panel / plc etc ) giving the beacon greater flexibility and offering a (flashing) second stage alarm. The design allows for termination inside the enclosure through the base.

### Features

- Continuously rated
- Suitable for surface or wall mounting
- Optional wall bracket & guard available - see accessories
- 3 point fix
- M20 conduit side entry or bottom cable entry
- 360° light output around the vertical axis
- 180° light output above the horizontal axis
- Dustproof and Weatherproof

## SF401/400 DIN Base Series > Ordering Information

| Code No: | Voltage:    | Light Source: | Current: |
|----------|-------------|---------------|----------|
| SF401-62 | 12v Ac/Dc ~ | H1 x 55w      | 4.60 A   |
| SF401-63 | 24v Ac/Dc ~ | H1 x 70w      | 2.90 A   |
| SF401-05 | 12v Ac/Dc ~ | Ba15s x 48w   | 4.00 A   |
| SF401-06 | 24v Ac/Dc ~ | Ba15s x 48w   | 2.00 A   |
| SF401-07 | 48v Dc ---  | Ba15d x 35w   | 0.65 A   |
| SF400-08 | 115v Ac ~   | E14 x 60w     | 0.55 A   |
| SF400-09 | 230v Ac ~   | E14 x 60w     | 0.29 A   |

ADD THE FOLLOWING LENS CODES TO THE PRODUCT WHEN ORDERING **01** **02** **03** **04** **05**

### Material

UV Stable Polycarbonate Lens  
UV Stable ABS Plastic Base

**Kg** 0.71

50/60 **Hz**

°C -25+55

**IP** 65

**INDUSTRIAL**

APPROVALS and CONFORMITIES



## X-ON Electronics

Largest Supplier of Electrical and Electronic Components

*Click to view similar products for [Audio Indicators & Alerts](#) category:*

*Click to view products by [Moflash Signalling](#) manufacturer:*

Other Similar products are found below :

[M2BJ-BH24E](#) [6-4](#) [68S1240-PA](#) [MBA-624](#) [F/BC 40P-DR LF](#) [FDG111PLF](#) [F/NRMB 24 BLACK LF](#) [PF-35N29WQ](#) [PFD-27A35PQ](#) [PL-27A35PSQ](#) [PS-531Q](#) [AB2020B-2-LW1](#) [EBPT-401](#) [PB06SD12AP](#) [PB-1220PEQ](#) [S6109](#) [SC2036ACP](#) [SC616N-2](#) [SC628FW](#) [SC628MPG](#) [SC648D](#) [SCS045MD9DT3S](#) [AB2025B-LW50-R](#) [ESZ-25B-5-250B](#) [F/BC 35-DR LF](#) [FCM12PLF](#) [F/EB20P-DR LF](#) [F/HU110MP24V-IP67B LF](#) [AI-2835-TF-LW150-2-R](#) [AI-4228-TF-LW305-R](#) [FSMD8585JSLF](#) [FSS-26T](#) [F/SU 21-02 LF](#) [F/TCW 05 WITH LABEL LF](#) [F/UCW 03 WITH LABEL LF](#) [F/UCW 06 WITH LABEL LF](#) [PKM22EPPH40S1-B0](#) [PKM35-4A0](#) [PL-35N29WQ](#) [PLD-27A35PQ](#) [PS-552Q](#) [CM-5](#) [M2BJ-BH24E-D](#) [REF-202](#) [LSC628ANR](#) [5-100](#) [PAL-328](#) [03-810.001](#) [RTO-1R07-001](#) [PL-21N31PQ](#) [PF-27A25PSQ](#)