

## INTRODUCING THE SHIELDED MINI-CON-X<sup>®</sup> CONNECTOR

### Features and Benefits

- Complete replacement for MINI-CON-X<sup>®</sup>
- Panels are factory assembled and sealed
- Scoop-proof connector design
- Anti-slip machined nut standard on panel connectors
- Precision machined housings
- Two shell sizes & multiple keying arrangements

### Product Specifications

#### Materials

##### **Panel Shell, Cable Housing & Coupling Nuts:**

Nickel plated copper alloy

##### **All Connector Inserts:** Engineered Polyester Resin

**Contacts:** Gold plated copper alloy with nickel underplate

**Backshell & Strap:** G.F. Nylon

**O-Rings:** Neoprene

**Screws:** Stainless Steel

#### Mechanical

**Shock:** Method 213, Mil-Std 202

**Vibration:** Method 201, Mil-Std 202

**Life:** 400 insertion/withdrawl cycles

#### Electrical

**Voltage Rating:** Tested at 600 VRMS

**Insulation Resistance:** Method 302, Mil-Std 202

**Contact Resistance:** Method 307, Mil-Std 202

##### **Current Ratings:**

13A: 4 maximum #16 contact with 16 AWG

7.5A: 3 maximum #20 contacts with 20 AWG

5.6A: 12 maximum #20 contacts with 20 AWG

#### Environmental

**Temperature Rating:** -40°C (-40°F) to +120°C (+248°F)

**Temperature Rise:** UL 1054

**Thermal Shock:** Method 107, Mil-Std 202

**Moisture/Salt Spray:** Method 106F / 101 Mil-Std 202

#### Product Ratings

IP66 / IP68 (when mated)

RoHS Compliant



Mated Cable End  
and Panel Mount



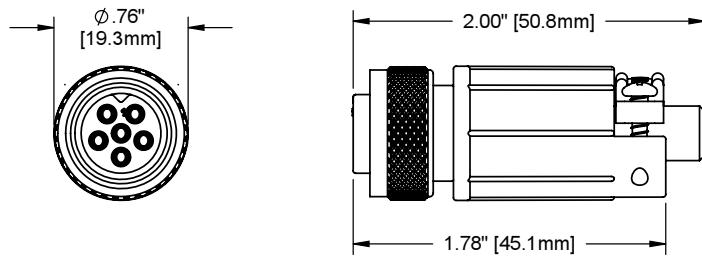
Cable End



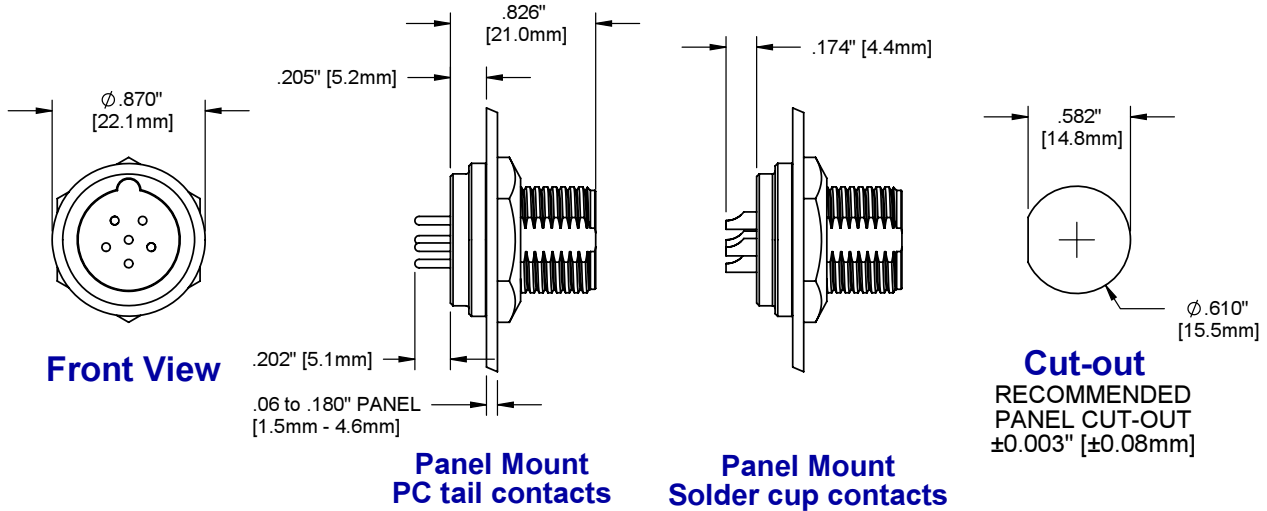
Epoxy Sealed  
Panel Mount

# Shielded MINI-CON-X<sup>®</sup> Connector

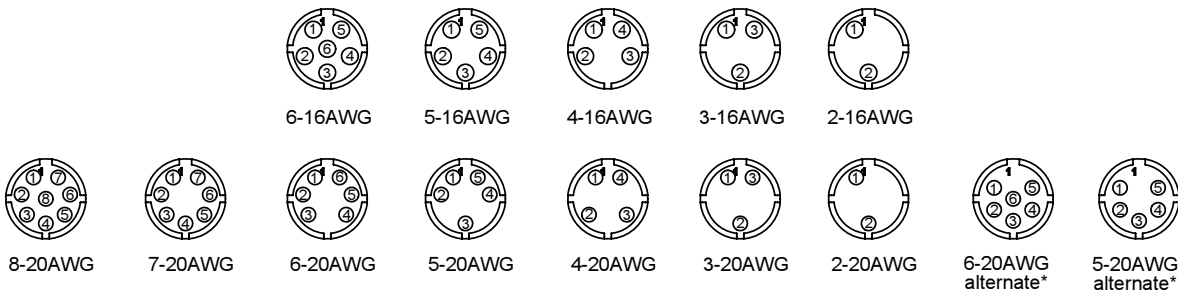
## Cable End



## Panel Mount

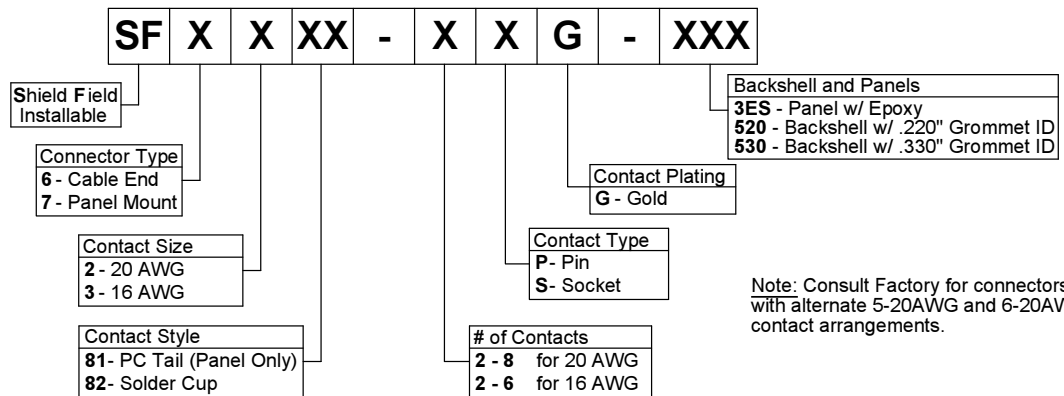


## Contact Arrangements (Wiring View of Cable End)



\* Consult Factory

## Code Logic



## X-ON Electronics

Largest Supplier of Electrical and Electronic Components

*Click to view similar products for [Circular DIN Connectors](#) category:*

*Click to view products by [Switchcraft](#) manufacturer:*

Other Similar products are found below :

[CTV06RQF-25-8SA-LC](#) [CTV06RQF-25-8S-LC](#) [CTV06RQW-25-8SB-LC](#) [CTV06RW-25-20P](#) [CTV06RW-25-20PA](#) [CTV06RW-25-20PB](#)  
[CTV06RW-25-20PE-LC](#) [CTV06RW-25-20SB](#) [CTV06RW-25-20SE](#) [CTV07RW-17-8S\(506\)](#) [CTVP00RW-19-32S\(506\)](#) [CTVP00RW-9-35S\(506\)](#) [M83723/71R20416](#) [M83723/71R22196](#) [M83723/71W2039N](#) [M83723/71W24196](#) [M83723/71W2419N](#) [M83723/72A1404N-LC](#)  
[M83723/72R1203N](#) [M83723/72W20418](#) [M83723/72W22126](#) [M83723/72W22556](#) [M83723/72W2419N](#) [M83723/72W2461N](#)  
[M83723/73R2028N](#) [M83723/73R2039N](#) [M83723/73W1412N](#) [M83723/73W2039N](#) [M83723/74R1624N](#) [M83723/74R1808N](#)  
[M83723/74R2212N](#) [M83723/74W1203N](#) [M83723/74W1412N](#) [M83723/74W20416](#) [M83723/74W2041N](#) [M83723/75R10058](#)  
[M83723/75W2232N](#) [M83723/76R14157](#) [M83723/76R20256](#) [M83723/76W1808N](#) [M83723/76W2016N](#) [M83723/76W2461N](#)  
[M83723/77W2016N](#) [M83723/78R22327](#) [M83723/78W2212N](#) [M83723/78W22556](#) [M85049/50-5F](#) [D38999/20FF11AC](#) [D38999/20FJ20BB](#)  
[D38999/20FJ20SC](#)