

CW-18 series

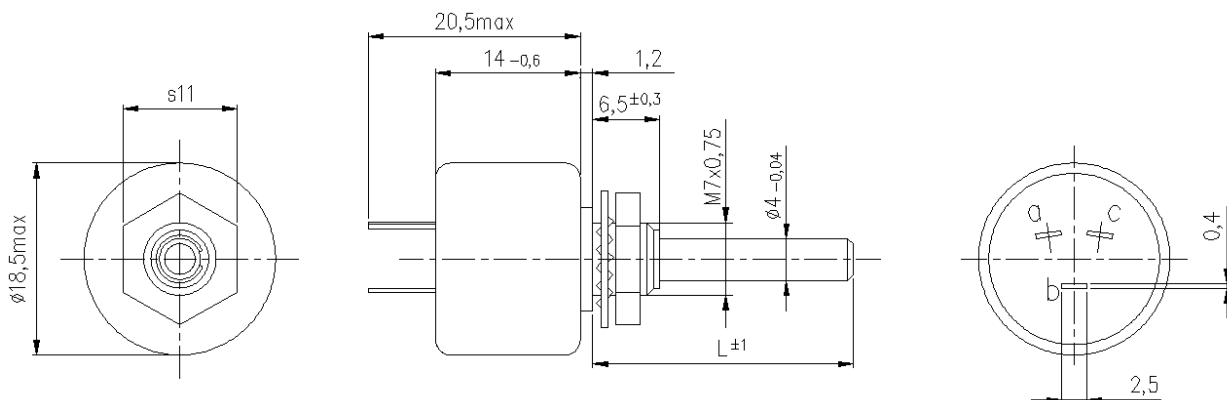
Characteristic

CW-18 series single turn potentiometers are enclosed in a tight metal housing, with a cermet resistive element, which is characterized by a greater durability than a typical carbon track. Elements have a linear characteristic of regulation. Potentiometers can be manufactured in a hermetic housing ("H" marking). Potentiometers with 5% and 10% resistance tolerance are available on request.



<u>Parameter</u>	<u>Value</u>	
Nominal resistance	E6 series	
Range of available resistances	100Ω ... 4,7MΩ	
Resistance tolerance	R ≤ 470 kΩ	±20%
	R > 470 kΩ	±30%
Max. dissipation power (T = 40°C)	1 W	
Max. operating voltage	350 V	
Mechanical rotation angle	240° ±10°	
Electrical rotation angle	230° ±10°	
Climatic category	55/100/56	

Dimensions



TELPOD S.A.

str. Pilsudskiego 63A
32-050 Skawina
www.telpod.pl

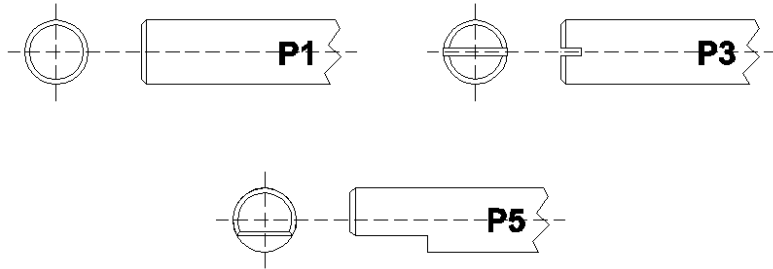
Technical division: +48 (0)12 257 10 12
Sales division: +48 (0)12 257 10 35
fax: +48 (0)12 257 10 13
e-mail: potentiometer@telpod.pl

date: 04 / 2015
Copyright 2015 by Telpod

CW-18 series

Shaft types

Type	Length L [mm]
P1	16; 20; 25
P3	12; 16; 20; 25
P5	12; 16; 20; 25



TELPOD S.A.

str. Pilsudskiego 63A

32-050 Skawina

www.telpod.pl

Technical division: +48 (0)12 257 10 12

Sales division: +48 (0)12 257 10 35

fax: +48 (0)12 257 10 13

e-mail: potentiometer@telpod.pl

date: 04 / 2015

Copyright 2015 by Telpod

X-ON Electronics

Largest Supplier of Electrical and Electronic Components

Click to view similar products for [Potentiometers](#) category:

Click to view products by [Telpod](#) manufacturer:

Other Similar products are found below :

[590SX1N32F103SS](#) [006-0-1](#) [591SXJ48S252SC](#) [591SXP56S252SC](#) [591SXP56S503SC](#) [D31409](#) [70B1G048K502X-A](#) [70B1M032S502W](#)
[70B1N056S202W](#) [70B8N056F502W](#) [70J8N048S104U](#) [70L1N040P103W](#) [70L1N048P103X](#) [70L1N048S103W](#) [81R1A-R22-A20L](#) [85A2A-](#)
[B28-B27/R51](#) [GS1G044P103UA](#) [GS1T032F503UA](#) [GS1T032S103UA](#) [A47-200K](#) [A4720K](#) [RA20LASD251A](#) [132-0-0-502](#) [132-2-0-202](#)
[132-0-0-102](#) [132-0-0-103](#) [132B00301](#) [RK14K1220-F25-C0-A103](#) [RK14K1220F25C0C104](#) [RK14K1220-F25-C1-B103](#)
[14910AABHSX10102KA](#) [14910F0GJSX10105KA](#) [14910FAGJSX10102KA](#) [14910AABHSX10103KA](#) [14910AABHSX10502KA](#)
[14910FAGJSX10104KA](#) [ASM6674E](#) [152-01031](#) [BNS3590S-1-501](#) [P090L-01F15BR10K](#) [P170SPD-FC15BR10K](#) [P231-EC20BR5K](#) [P270-](#)
[109A](#) [J97589](#) [P9A2R000FISX1103MA](#) [248BBHS0XB25503MA](#) [RV170F-10-15R1-B500K-0021](#) [RV24AF-10-15R1-B500-3](#) [A43-750](#) [A47-](#)
[15K](#)