

(1,27 mm) .050"

SFLX, SFMX SERIES

# FLEX LOCK/LATCH SOCKET STRIP

## SPECIFICATIONS

For complete specifications and recommended PCB layouts see [www.samtec.com?SFMX](http://www.samtec.com?SFMX) or [www.samtec.com?SFLX](http://www.samtec.com?SFLX)

**Insulator Material:** Black Liquid Crystal Polymer  
**Contact Material:** Phosphor Bronze  
**Plating:** Au over 50µ" (1,27 µm) Ni

**Operating Temp Range:** -55°C to +125°C

**Contact Resistance:** 15 mΩ

**Insertion Depth:** (3,05 mm) .120" to (4,06 mm) .160"

**Insertion Force:** (Single contact only) 2.5 oz (0,69 N) avg.

**Withdrawal Force:** (Single contact only) 2.0 oz (0,57 N) avg.

**SFMX Unmating Force:** Withdrawal force per contact: 2.0 oz (0,57 N) avg;

Incremental unmating force with latching mechanism: 10 & 15 pins/row (One Latch) increases withdrawal force by 4 x avg; 20-30 pins/row (Two Latches) increases withdrawal force by 3 x avg; 35-50 pins/row (Three Latches) increases withdrawal force by 1.7 x avg

**RoHS Compliant:** Yes

**Processing:** Lead-Free Solderable: Yes

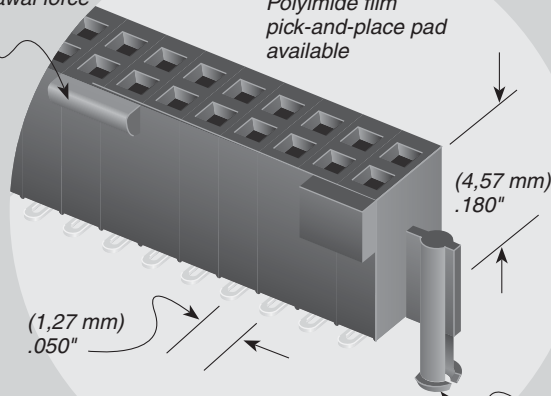
**SMT Lead Coplanarity:** (0,10 mm) .004" max (10-25) (0,15 mm) .006" max (30-50)

**Mates with:** TFML, TFM-D (SFLX only), FTSH



Latching feature increases withdrawal force

Polyimide film pick-and-place pad available

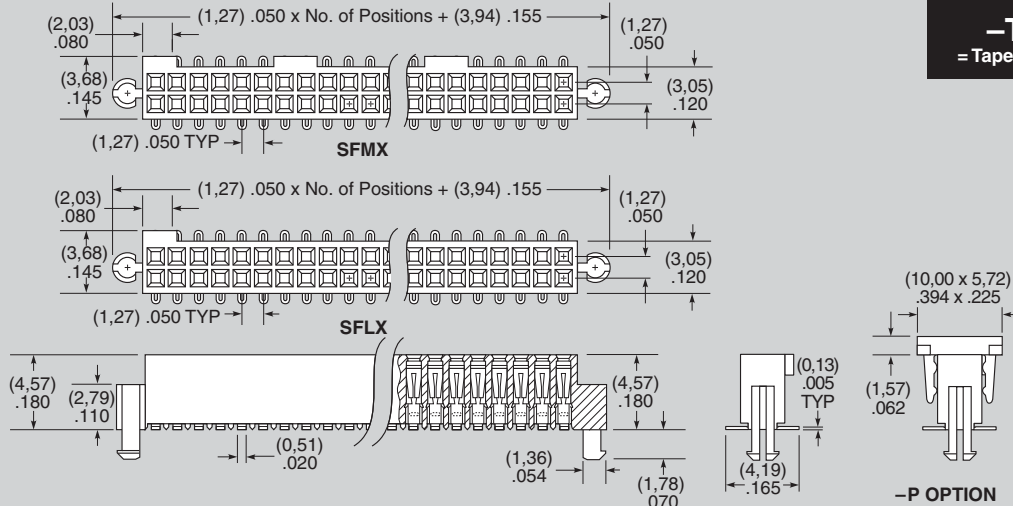


Locks into stiffeners behind circuit

TYPE STRIP	1	NO. PINS PER ROW	LEAD STYLE	PLATING OPTION	D	OPTION
<b>SFLX</b> = Flex Lock (No latch)		<b>10, 15, 20, 25, 30, 35, 40, 45, 50</b> (Standard sizes)	<b>-T2</b> = Tiger Eye™ LITE Contact	<b>-S</b> = 30µ" (0,76 µm) Gold on contact, Matte Tin on tail		<b>-K</b> = (4,00 mm) .157" DIA Polyimide film Pick & Place Pad
<b>SFMX</b> = Latching Flex Lock						<b>-P</b> = Plastic Pick & Place Pad (SFLX only)
						<b>-TR</b> = Tape & Reel

## RECOGNITIONS

For complete scope of recognitions see [www.samtec.com/quality](http://www.samtec.com/quality)



**Note:** Some sizes, styles and options are non-standard, non-returnable.

Due to technical progress, all designs, specifications and components are subject to change without notice.

[WWW.SAMTEC.COM](http://WWW.SAMTEC.COM)

## X-ON Electronics

Largest Supplier of Electrical and Electronic Components

*Click to view similar products for [Headers & Wire Housings](#) category:*

*Click to view products by [Samtec](#) manufacturer:*

Other Similar products are found below :

[95000-104TRLF](#) [10135584-644402LF](#) [DF62W-EP2022PCA](#) [95000-106TRLF](#) [DF62W-2022SCA](#) [DF62W-EP2022PC](#) [2203348](#) [DF62W-2022SC](#) [1084018](#) [1029039](#) [1084017](#) [802-10-012-10-002000](#) [1112640](#) [1112639](#) [891-007-9SS-BST1T](#) [000-34000](#) [0008550134](#) [0009482033](#) [0009507031](#) [57102-F02-18ULF](#) [57102-S06-03LF](#) [57202-S52-04LF](#) [PCN6-15S-2.5E](#) [0039019024](#) [58102-G61-06LF](#) [582553-1](#) [0009485154](#) [0009508121](#) [0022285053](#) [0050291907](#) [018731A](#) [LY20-4P-DT1-P1E-BR](#) [02.125.8002.8](#) [60101931](#) [60598-1 \(Cut Strip\)](#) [M1625-3R/100](#) [61062-3](#) [61082-181009](#) [CSU011177004](#) [636-1427](#) [638009-1](#) [641938-9](#) [641991-4](#) [644168-1](#) [644827-2](#) [647662-1](#) [65039-019ELF](#) [65692-001LF](#) [65781-018](#) [65781-047](#)