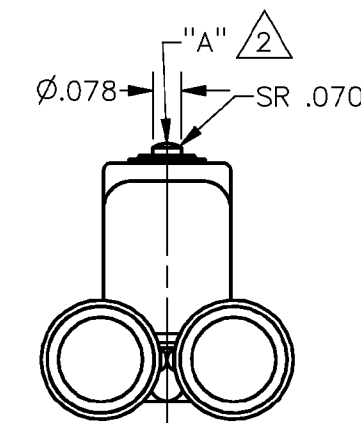
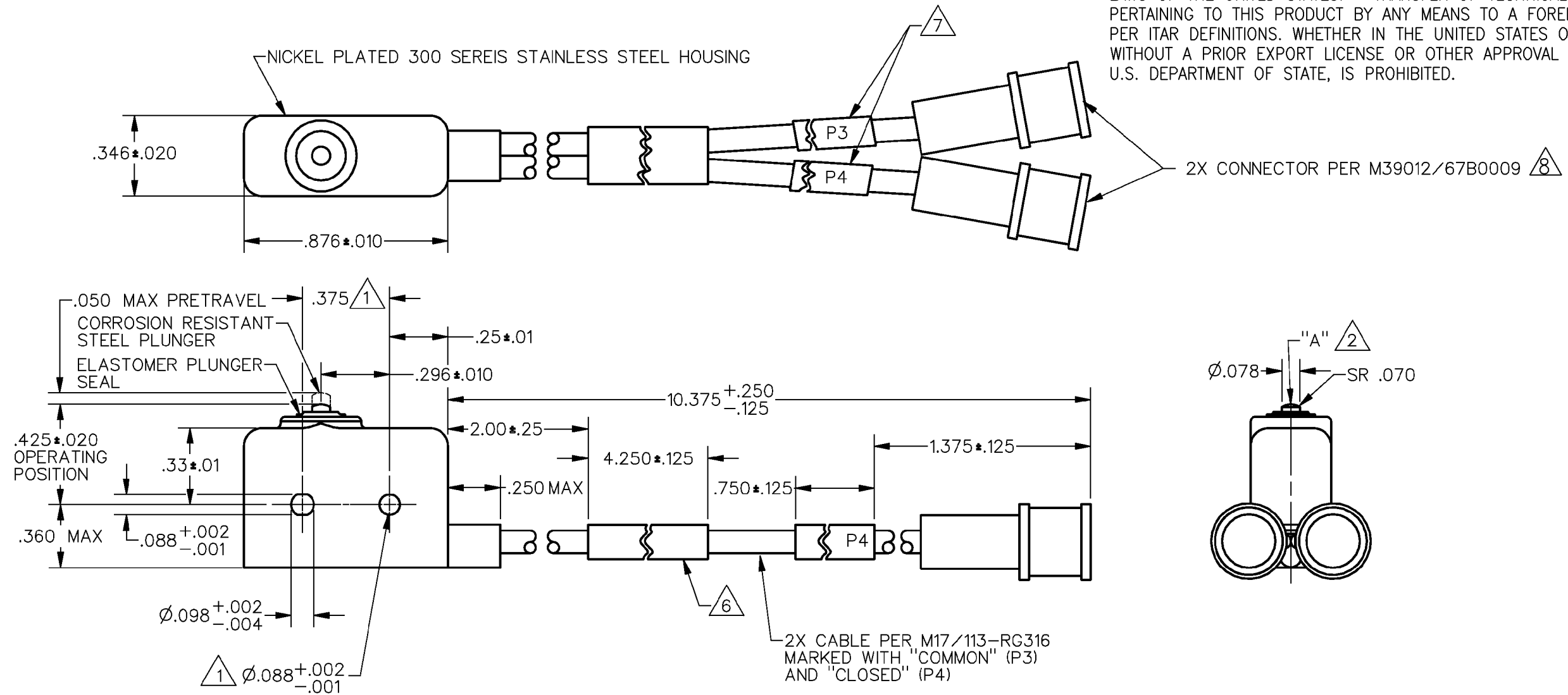


WARNING- THIS PRODUCT IS SUBJECT TO THE U.S. INTERNATIONAL TRAFFIC IN ARMS REGULATIONS (ITAR), AND THE EXPORT CONTROL LAWS OF THE UNITED STATES. TRANSFER OF TECHNICAL DATA PERTAINING TO THIS PRODUCT BY ANY MEANS TO A FOREIGN PERSON PER ITAR DEFINITIONS, WHETHER IN THE UNITED STATES OR ABROAD, WITHOUT A PRIOR EXPORT LICENSE OR OTHER APPROVAL FROM THE U.S. DEPARTMENT OF STATE, IS PROHIBITED.



CATALOG LISTING
2SE322
PAGE 1 OF 1
RELEASE NO. PR-23226
REPLACES
ISSUE
4
CHECK
REVISIONS
A PR23226
J A K
19 MAR 98
B C093012
J A F
29 JUN 98
C 0004926
PEH
20 APR 04
CHECK
J J A 20 MAR 98
CHECK
J J A 18 MAR 98
DRAWN
D D M / C A D

THIS DRAWING COVERS A PROPRIETARY ITEM AND IS THE PROPERTY OF MICRO SWITCH, A DIVISION OF HONEYWELL. THIS DRAWING IS NOT TO BE COPIED OR USED WITHOUT THE APPROVAL OF MICRO SWITCH

THIRD ANGLE PROJECTION

CHARACTERISTICS	
OPERATING FORCE-----	5 - 17 OZ
RELEASE FORCE-----	4 OZ MIN
RELEASE TRAVEL-----	.004 MIN
DIFFERENTIAL TRAVEL----	.004 MAX
OVERTRAVEL-----	.003 MIN

ELECTRICAL DATA	
CONTACT ARRANGEMENT S P N C	
10 VDC -----	0.5 MA
30 VOLTS DC RATING	
INDUCTIVE -----SEA LEVEL ----	1/2 AMP
50,000 FT ----	1/2 AMP
RESISTIVE -----SEA LEVEL ----	1 AMP
50,000 FT ----	1 AMP
MAXIMUM INRUSH -----	2 AMP

SCALE 2:1	
DO NOT SCALE PRINT	
UNLESS OTHERWISE SPECIFIED TOLERANCES ARE	
ONE PLACE (.0)	± .030
TWO PLACE (.00)	± .015
THREE PLACE (.000)	± .005
ANGLES	±
WEIGHT	50 GRAMS MAX

ANSI Y14.5M-1982 APPLIES

- NOTES
- MOUNTING HOLES WILL ACCEPT PINS OR SCREWS OF Ø.087 MAX ON .375 ± .002 CENTERS
 - ACTUATION IN LINE WITH ARROW "A" IS RECOMMENDED
 - FOR USE IN TEMPERATURE RANGE: -65°F TO +221°F
 - LEADWIRE SHIELDING GROUNDED TO METAL SWITCH ENCLOSURE
 - BASIC SWITCH HAS 24K SOLID GOLD CONTACT MATERIAL
 - HEAT SHRINK TUBING MARKED WITH W1 18876ASSY13579972
 - HEAT SHRINK TUBING MARKED WITH "P3", "P4"
 - MATES WITH ITT INDUSTRIES P/N B51-053-0000-220 OR EQUIVALENT

X-ON Electronics

Largest Supplier of Electrical and Electronic Components

Click to view similar products for [Basic / Snap Action Switches](#) category:

Click to view products by [Honeywell](#) manufacturer:

Other Similar products are found below :

[83228001](#) [01.098.1358.1](#) [602EN1-6B](#) [602EN532](#) [602EN535-RB](#) [602HE5-RB1](#) [604HE162](#) [604HE223-6B](#) [624HE17-RB](#) [6HM89](#) [6PA78-JM](#)
[6SE1](#) [6SX1-H58](#) [70500840](#) [MBD5B1](#) [MBH2731](#) [73-316-0012](#) [79211759](#) [79211923](#) [79218589](#) [7AS12](#) [ML-1155](#) [ML-1376](#) [831010C3.0](#)
[831060C3.TL](#) [831090C2.EL](#) [83131904](#) [84212012](#) [8AS239](#) [8HM73-3](#) [903VB1-PG](#) [914CE1-6G](#) [PL-100](#) [11SM1077-H4](#) [11SM1077-H58](#)
[11SM1-TN107](#) [11SM405](#) [11SM703-T](#) [11SM8423-H2](#) [11SX37-T](#) [11SX48-H58](#) [11SX55-H58](#) [11SM2442-T](#) [11SM76-T](#) [11SM77-H58](#)
[11SM77-T](#) [11SM863-T](#) [11SM866](#) [11SX47-H58](#) [A7CN-1M-1-LEFT](#)