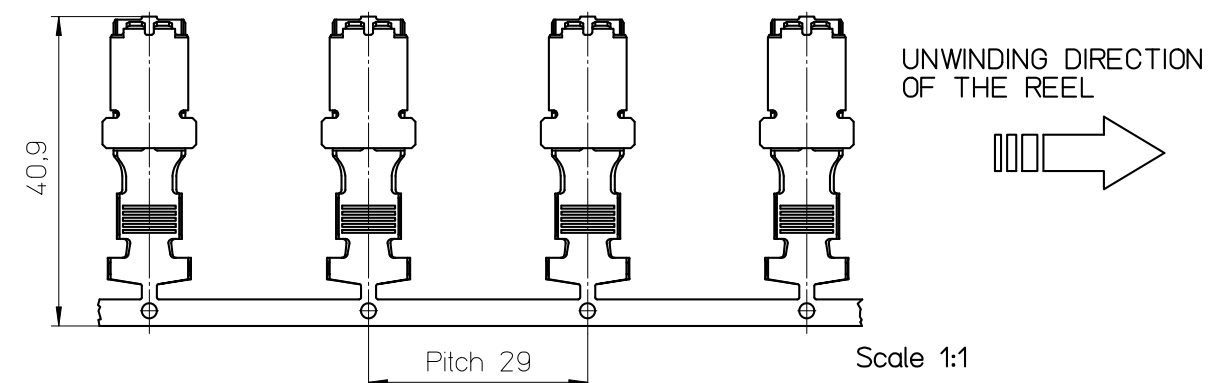
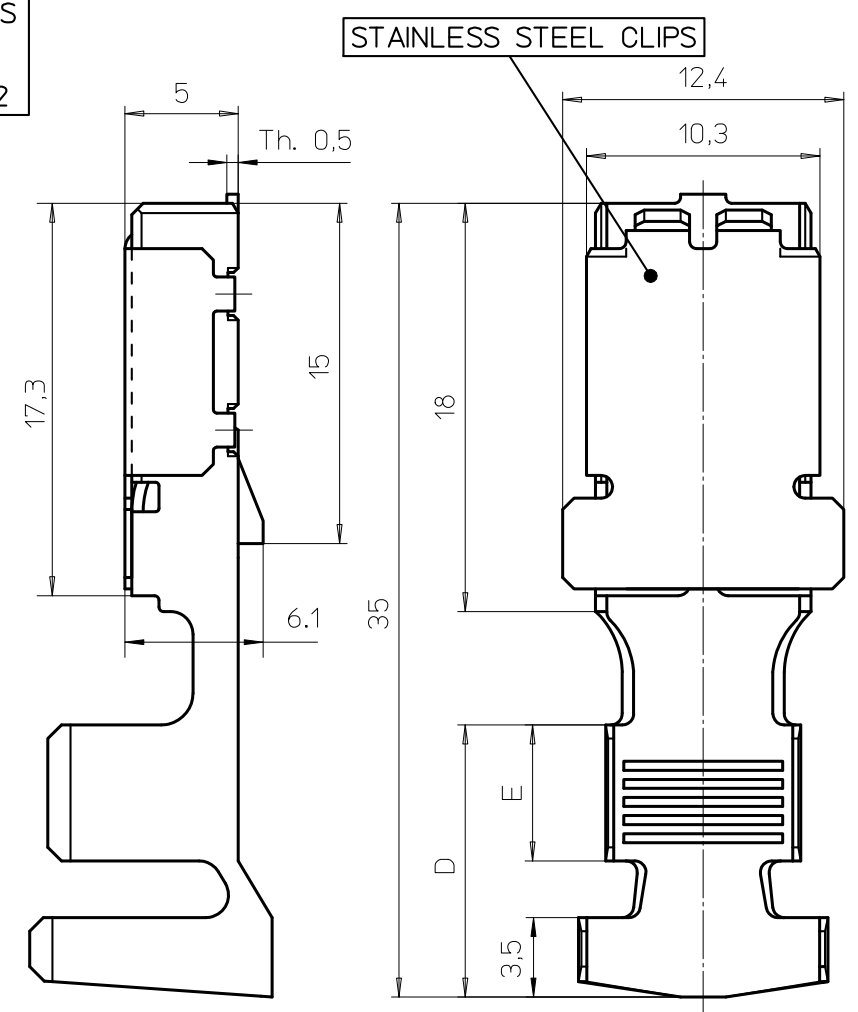
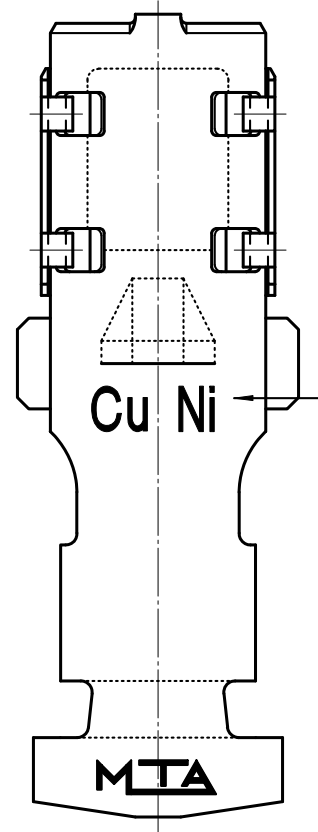
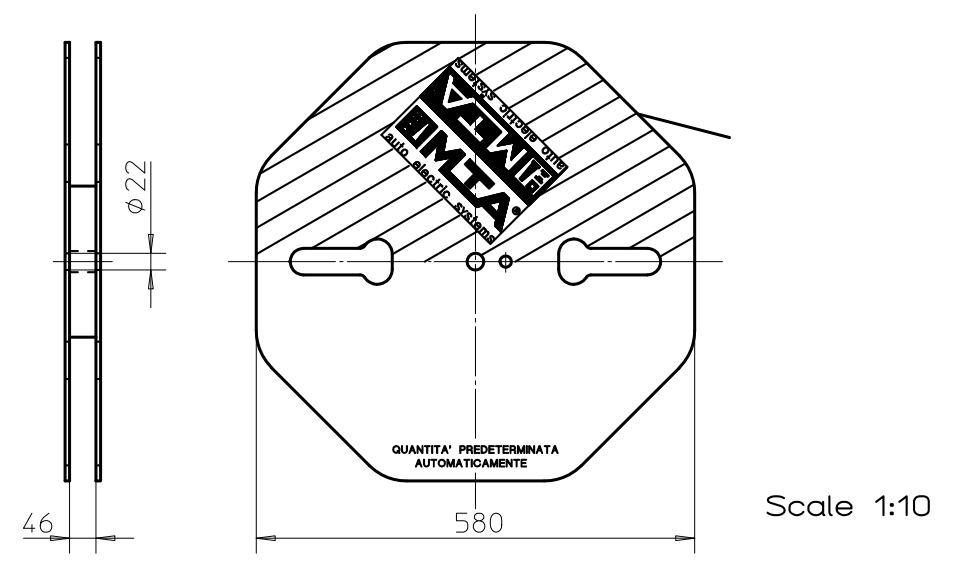


All proprietary rights reserved by MTA S.p.A. - This drawing shall not be reproduced, or in any way utilized, for the manufacture of the component or unit herein illustrated and must not be released to other parties, without written consent. Any infringement will be legally pursued.

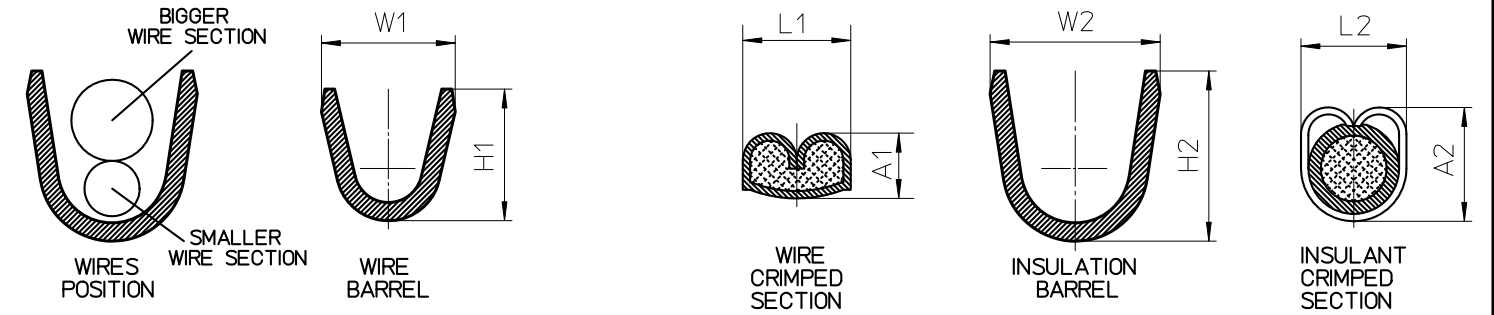
10	RATED CURRENT UPDATED	S.BEDUSCHI	08/07/05
REV	DESCRIPTION	NAME	DATE



THE NOTE Cu Ni MUST BE PLACED ONLY WHEN THE MATERIAL USED IS COPPER-NICHEL
Ref. 1707671 - 1707672



CRIMP STATEMENTS



VALUES OBTAINED USING A 1.5t PRESS

MTA P/N	D	E	WEIGHT (g)	MATERIAL	RATED CURRENT (A)	Wire sec. (mm ²)	CONDUCTOR				INSULATION				TEAR OUT FORCE (N)
							H1	W1	A1 ±0.05	L1	H2	W2	A2	L2	
1707650	11	5	2.85	CuZn	20	1.5	4.2	4.1	1.90	3.55	5.2	5.5	3.48	4.29	>155
						2.5			2.00	3.57			3.87	4.29	>235
1707660	11	5	3	CuZn	36	4	5.6	5.5	2.50	4.18	7.8	8.2	5.14	6.11	>320
						6			2.85	4.22			5.36	6.11	>400
						4+2.5			2.75	4.23			5.90	6.28	>320/235
1707670	12	6	3.4	CuZn	50	8	8.4	8.3	3.10	5.95	11.2	11	7.70	8.17	>500
						10			3.50	5.93			8.13	8.37	>600
1707672	12	6	3.4	CuNi	53	8	8.5	8.2	3.10	5.95	11.3	10.6	7.70	8.17	>500
						10			3.50	5.93			8.13	8.37	>600
1707671	12	6	3.6	CuNi	75	15	9.6	8.9	4.00	7.15	11.1	11.9	9.18	8.80	>750
						16			4.10	7.17			9.27	8.80	>800
						16			4.10	7.17			7.30	8.00	>800



MTA P/N	1707650	Denom.	TERMINAL POWER F800
Draw No.	B0-018.004A	Used for	SECTION CABLE 1.5-2.5 sqmm
Rel. Level	APPROVED	Draw for	CLIENT
Date	02/07/1996	Name	M.CORBANI
Scale	3:1	Weight(g)	SEE TABLE
Lin.Tol.±	0.5	Ang.Tol.±	2
Material	CuZn	Thick.	
Coating	Tin Plated	Width	
PQApp	28/08/2014	M.ROSSI	
App.	28/08/2014	M.PASQUANDREA	
Sheet	1/1	Color	

No.	Reason for Revision	Date	28/08/14	Name	S.BEDUSCHI
-----	---------------------	------	----------	------	------------

11 CRIMPING STATEMENTS FOR 16 sqmm WIRE WITH MORE COMPRESSED INSULATION ADDED

X-ON Electronics

Largest Supplier of Electrical and Electronic Components

Click to view similar products for [Fuse Holder](#) category:

Click to view products by [MTA](#) manufacturer:

Other Similar products are found below :

[570-290-741P40](#) [570-290-751P40](#) [0031.1351.01](#) [020417G](#) [020418E](#) [80910030](#) [8601.2020](#) [9-3557-GP REV A](#) [15600-08-10](#) [BK1-HTC-45M](#)
[BK/FHN19G](#) [BK/HJM-HH](#) [BK/HKP-CCHH](#) [BK/HKP-E-CC](#) [BK/HKP-E-HH](#) [BK/HKP-EH-HH](#) [BK/HKP-U-HH](#) [BK/HTJ-LES-FUSE](#)
[HMG-241](#) [2086-1](#) [2193](#) [RTMF-SC](#) [2602](#) [2650](#) [FHN31G1](#) [G4PB8](#) [2660](#) [2799](#) [CQ-209V](#) [345621A](#) [3794](#) [4202](#) [4408](#) [4413](#) [4423](#) [4482](#)
[4532](#) [4537](#) [TSD1404-12](#) [BK/FHN31G1](#) [BK/HKP-H-CC](#) [BK/HKP-JQ-BB](#) [BK/HKP-JQW-BB](#) [BK/HKP-N-HH](#) [BK/HKP-S-CC](#) [BK/HKP-W-](#)
[BBHH](#) [BP/HHS](#) [BPHHU](#) [55900008011](#) [C1933](#)