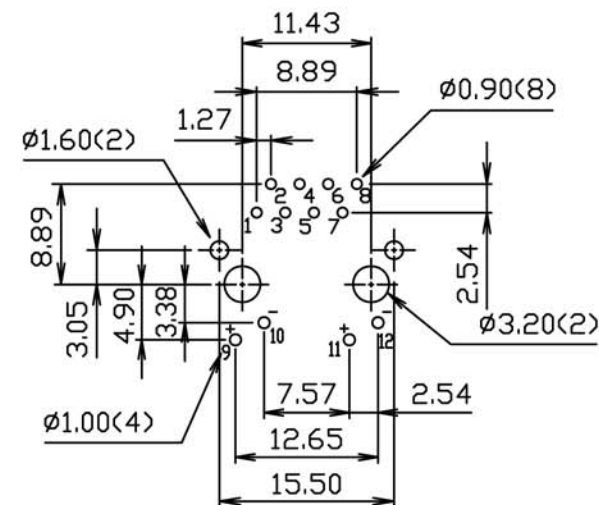


MATERIALS:

- HOUSING-DSM STANYL TE250F6 (NYLON-46)
HEAT DEFLECTIO TEMP.290°
BLACK COLOR, UL94V-0
- CONTACTS-0.35mm THICK PHOS-BRONZE PLATED
WITH HARD GOLD AND TIN ON SOLDER
AREA.
- SHIELD-0.25mm THICK COPPER ALLOY,
PLATED WITH NICKEL.

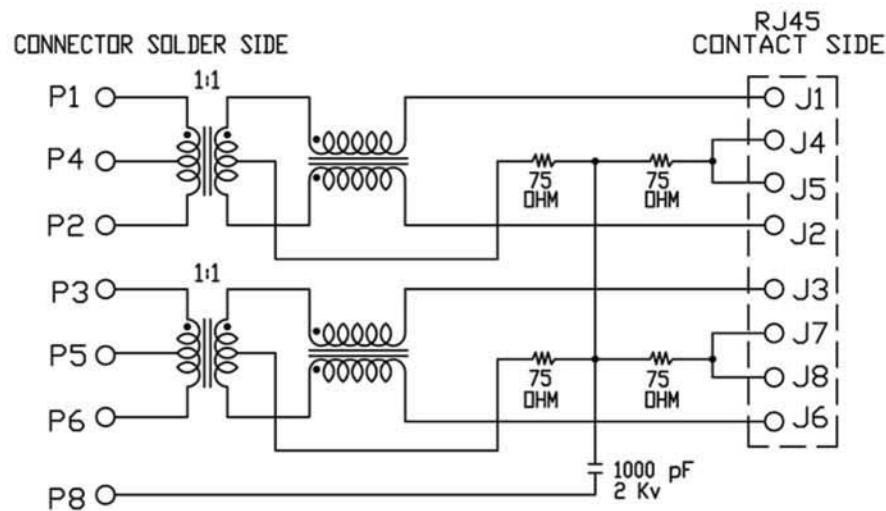
CAVITY CONFIRMS TO FCC RULES AND REGULATIONS
PART 68,SUBPART F.



TOLERANCE (mm)	APPROVALS	DATE	TITLE	AMPHENOL Amphenol European Design Center	
X. ±0.3	DRAWN Stephane	13/Jul/2010	Transformer RJ45 Dip R/A w/EMI fingers & LED	Scale N.A.	Sheet 1 of 2
X.X ±0.2	CHECKED Rob	13/Jul/2010			
X.XX ±0.15	APPROVED Rob	13/Jul/2010			
UNLESS OTHERWISE SPECIFIED	UNIT : mm		SIZE : A4	DRAWING N° LMJ199882X130DL1TOHLFG	REV. A

Specification :

Item	Parameter	Condition	Min.	Typ.	Max.	Unit	REMARK
1	Insertion loss	1-100 MHz			-1	dB	
2	Return loss	1-30 MHz	-20			dB	
		30-60 MHz	-15			dB	
		60-80 MHz	-11			dB	
3	Primary Inductance @100KHz, 0.1Vrms, 8mA DC BIAS	(1-2), (7-8)	350			μH	
4	Crosstalk	1-100 MHz	-30			dB	
5	Hipot	Vrms	1.5			kV	



CONNECTOR SCHEMATIC

Ordering Information

LMJ199882X130DL1TOHLFG

a

a: Contact plating

1:15U" gold

2:30U" gold

3:50U" gold

4:6U" gold



TOLERANCE (mm)	APPROVALS	DATE	TITLE	AMPHENOL Amphenol European Design Center	
X, ±0.3	DRAWN Stephane	13/Jul/2010	Transformer RJ45 Dip R/A w/EMI fingers & LED	Scale N.A.	Sheet 2 of 2
X.X ±0.2	CHECKED Rob	13/Jul/2010			
X.XX ±0.15	APPROVED Rob	13/Jul/2010			
UNLESS OTHERWISE SPECIFIED	UNIT: mm		SIZE: A4	DRAWING N°	LMJ199882X130DL1TOHLFG
				REV.	A

X-ON Electronics

Largest Supplier of Electrical and Electronic Components

Click to view similar products for [Modular Connectors](#) / [Ethernet Connectors](#) category:

Click to view products by [Amphenol](#) manufacturer:

Other Similar products are found below :

[RJE231881317T](#) [MP1010RX-1000](#) [MP44RX-1000](#) [GAX-3-66](#) [GAX-8-62](#) [93606-0253](#) [GD-A-44](#) [GDCX-PA-66-50](#) [GDCX-PN-64](#) [GDCX-PN-66](#) [GDCX-PN-66-50](#) [GDLX-A-66](#) [GDLX-A-88](#) [GDLX-N-66](#) [GDLX-S-88K](#) [GDTX-S-88-50](#) [GDX-PA-1010](#) [GLX-A-44](#) [GLX-N-1010M-BLK](#) [GLX-N-44M](#) [GLX-S-88M-BLK](#) [GMX-N-1010](#) [GMX-S-1010](#) [GMX-S-66](#) [GMX-SMT2-N-1010](#) [GMX-SMT2-N-64-50](#) [GMX-SMT2-S6-88](#) [GMX-SMT4-N-88](#) [GPX-2-64](#) [GRT1-BT1-5](#) [GSGX-N-2-88](#) [GSX-NS2-88-3.05](#) [GSX-NS2-88-3.05-50](#) [GSX-NS-88-3.05-30](#) [GSX-NS-88-3.05-50](#) [GSX-NS-88-3.68](#) [1-1775629-2](#) [GWLX-S-88-GR](#) [GWLX-S9-88-YG](#) [1300500326](#) [1300500227](#) [1300530003](#) [1300570002](#) [1324640-4](#) [RJ11FTVC2G](#) [RJ11FTVC2N](#) [RJFTVX2SA1G](#) [132764-001](#) [1400000](#) [1413176](#)