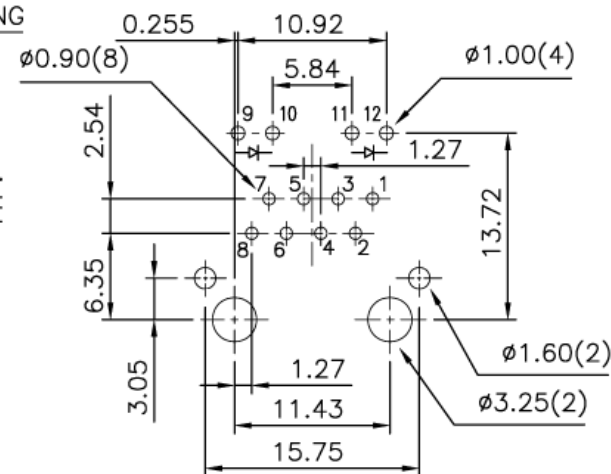
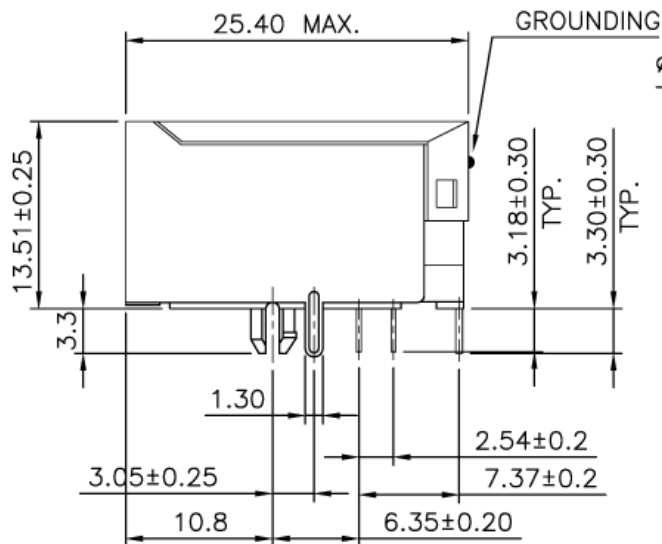
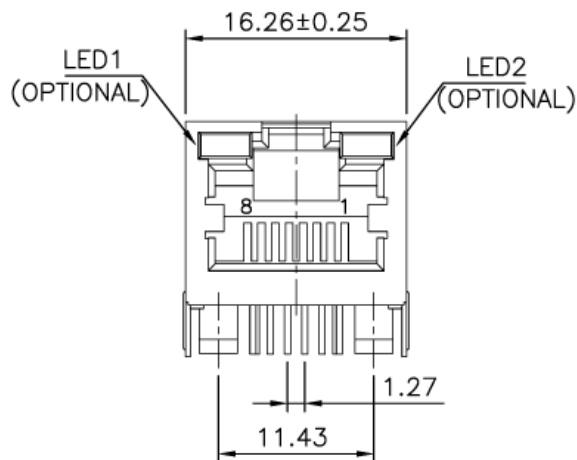


**MATERIAL:**

- HOUSING—PBT POLYESTER UL94V-0 MIXED GLASS FIBER. STANDARD COLOR—BLACK.
- CONTACTS—0.35mm THICK PHOS-BRONZE PLATED WITH HARD GOLD AND GOLD FLASH IN SOLDER AREA.
- SHIELD—0.20mm THICK COPPER ALLOY, PLATED WITH NICKEL.

CAVITY CONFIRMS TO FCC RULES AND REGULATIONS PART 68,SUBPART F.



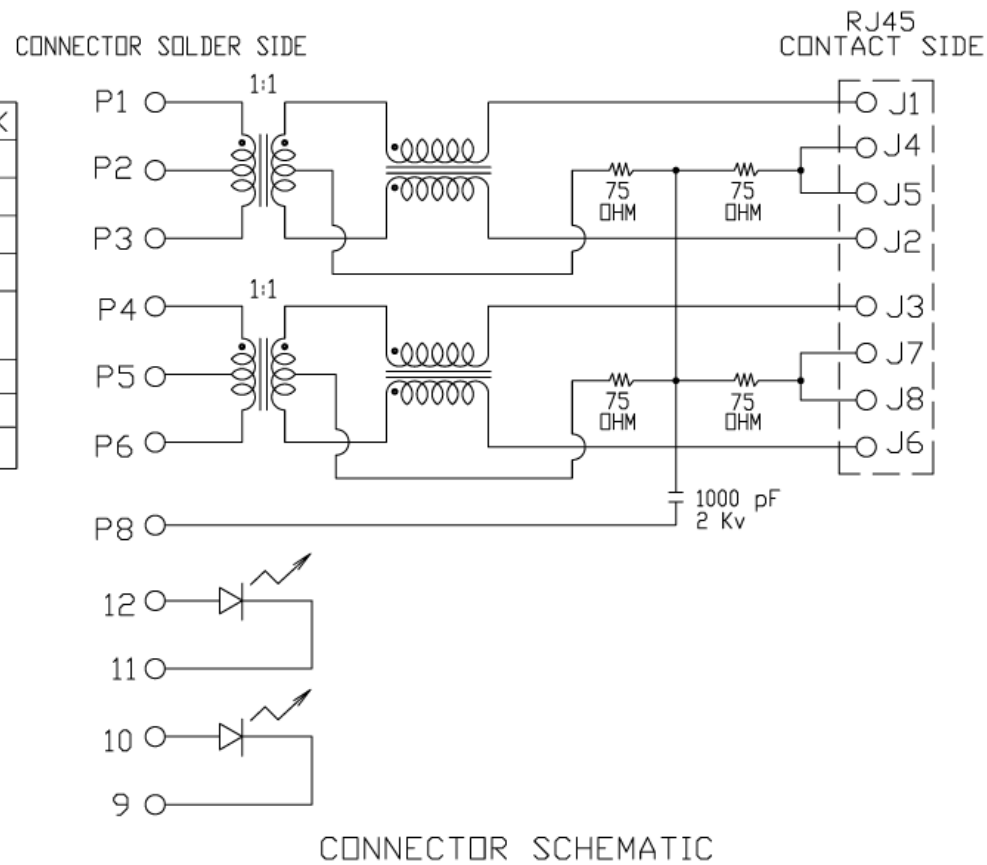
TOLERANCE (mm)	APPROVALS	DATE	TITLE	AMPHENOL
X. ±0.3	DRAWN Stephane	24/Sep/2007	RJ45 w/Transformer Side Entry w/ LED Shielded	Amphenol European Design Center
XX ±0.2	CHECKED Rob	24/Sep/2007		
X.XX ±0.15	APPROVED Rob	24/Sep/2007		
UNLESS OTHERWISE SPECIFIED	UNIT: mm		SIZE: A4	DRAWING N°
			LMJ201 881X 100D LXT1 B	REV. A

# TRANSFORMER

## Specification :

Item	Parameter	Condition	Min.	Typ.	Max.	Unit	REMARK
1	Insertion loss	1-100 MHz			-1	dB	
2	Return loss	1-30 MHz	-20			dB	
		30-60 MHz	-15			dB	
		60-80 MHz	-12			dB	
3	Primary Inductance @100KHz, 0.1Vrms, 8mA DC BIAS	(J1-J2), (J3-J6)	350			μH	
4	Crosstalk	1-100 MHz	-35			dB	
5	Hipot	Vrms	1.5			kV	
6	COMMON MODE REJECTION	1-100 MHz	-35			dB	

\* OPERATING TEMPERATURE RANGE: 0°C TO +70°C.



TOLERANCE (mm)	APPROVALS	DATE	TITLE	AMPHENOL
X. ±0.3	DRAWN Stephane	24/Sep/2007	RJ45 w/Transformer Side Entry w/ LED Shielded	Amphenol European Design Center
XX ±0.2	CHECKED Rob	24/Sep/2007		
X.XX ±0.15	APPROVED Rob	24/Sep/2007		
UNLESS OTHERWISE SPECIFIED	UNIT: mm		SIZE: A4	DRAWING N°
			LMJ201 881X 100D LXT1 B	REV. A
			Scale N.A.	Sheet 2 of 2

## X-ON Electronics

Largest Supplier of Electrical and Electronic Components

*Click to view similar products for [Modular Connectors](#) / [Ethernet Connectors](#) category:*

*Click to view products by [Amphenol](#) manufacturer:*

Other Similar products are found below :

[RJE231881317T](#) [MP1010RX-1000](#) [MP44RX-1000](#) [GAX-3-66](#) [GAX-8-62](#) [93606-0253](#) [GD-A-44](#) [GDCX-PA-66-50](#) [GDCX-PN-64](#) [GDCX-PN-66](#) [GDCX-PN-66-50](#) [GDLX-A-66](#) [GDLX-A-88](#) [GDLX-N-66](#) [GDLX-S-88K](#) [GDTX-S-88-50](#) [GDX-PA-1010](#) [GLX-A-44](#) [GLX-N-1010M-BLK](#) [GLX-N-44M](#) [GLX-S-88M-BLK](#) [GMX-N-1010](#) [GMX-S-1010](#) [GMX-S-66](#) [GMX-SMT2-N-1010](#) [GMX-SMT2-N-64-50](#) [GMX-SMT2-S6-88](#) [GMX-SMT4-N-88](#) [GPX-2-64](#) [GRT1-BT1-5](#) [GSGX-N-2-88](#) [GSX-NS2-88-3.05](#) [GSX-NS2-88-3.05-50](#) [GSX-NS-88-3.05-30](#) [GSX-NS-88-3.05-50](#) [GSX-NS-88-3.68](#) [1-1775629-2](#) [GWLX-S-88-GR](#) [GWLX-S9-88-YG](#) [1300500326](#) [1300500227](#) [1300530003](#) [1300570002](#) [1324640-4](#) [RJ11FTVC2G](#) [RJ11FTVC2N](#) [RJFTVX2SA1G](#) [132764-001](#) [1400000](#) [1413176](#)