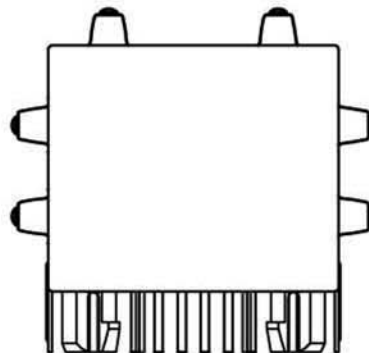


PC Board Layout

Tolerance: +/-0.05mm



GENERAL SPECIFICATION

DESCRIPTION

- ◆ 10/100 BASE-TX RJ45 1X1 TAB-UP WITH LEDS
- INTEGRATED MAGNETICS CONNECTOR (ICM).

FEATURES AND BENEFITS

- ◆ ROHS PEAK WAVE SOLDER TEMPERATURE RATING 260° C.
- ◆ RJ45 1X1 8-PIN WITH INTERNAL MAGNETIC;
- ◆ SUITABLE FOR CAT5 AND CAT6 FAST ETHERNET CABLE OR BETTER UTP.
- ◆ INTERNAL MAGNETICS: 100% ELECTRONICALLY TESTED FOR HI POT AND FUNCTIONALITY.

ELECTRICAL PERFORMANCE SUMMARY

- ◆ MEETS IEEE802.3 SPECIFICATION AND 350uH MINIMUM OCL WITH 8mA BIAS CURRENT.
- ◆ HIGH PERFORMANCE FOR MAXIMUM EMI SUPPRESSION.

TEMPERATURE PERFORMANCE

- ◆ STORAGE TEMPERATURE RANGE: -25° C TO +85° C.
- ◆ OPERATION TEMPERATURE RANGE: 0° C TO +70° C.

MATERIAL SPECIFICATION

- ◆ SHIELD: BRASS, 0.2mm THICKNESS WITH NICKEL PLATED.
- ◆ HOUSING: PBT (30% GLASS FIBER, UL94U-0).
- ◆ CONTACT: PHOSPHOR BRONZE, 0.35mm THICKNESS, SELETIVE GOLD PLATING.

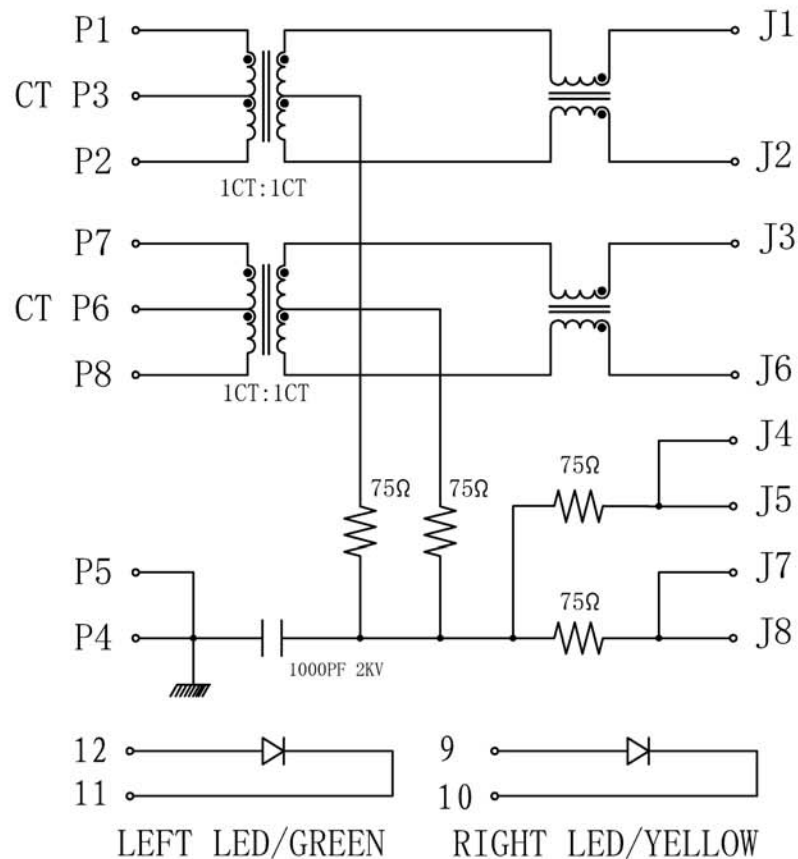
Ordering Information

LMJ205881X001CNL

Contact Plating

- 1 = 15u" gold
- 2 = 30u" gold
- 3 = 50u" gold
- 4 = 6u" gold
- 5 = G/F

TOLERANCE (mm)	APPROVALS	DATE	TITLE	AMPHENOL Amphenol European Design Center	
±0.25	DRAWN Stephane	2014/Feb/12	100BASE-TX RJ45 R/A DIP TAB-UP w/LED G/Y	Scale N.A.	Sheet 1 of 2
	CHECKED Rob	2014/Feb/12			
	APPROVED Rob	2014/Feb/12			
UNLESS OTHERWISE SPECIFIED	UNIT: mm		SIZE: A4	DRAWING N°: LMJ205881X001CNL	REV. A



ELECTRICAL SPECIFICATIONS

- ◆ ALL TEST CONDITIONS @ 25°C UNLESS OTHERWISE NOTED.
- ◆ TURN RATIO:
 - TX, SECONDARY : PRIMARY = 1CT:1CT ± 3%.
 - RX, SECONDARY : PRIMARY = 1CT:1CT ± 3%.
- ◆ OCL: 350uH MIN, 8mA DC BIAS CURRENT.
- ◆ INSERTION LOSS: 1-100MHZ -1.0dB MAX.
- ◆ RETURN LOSS:

1MHZ TO 10MHZ	: -18dB MIN.
10MHZ TO 30MHZ	: -16dB MIN.
30MHZ TO 60MHZ	: -14dB MIN.
60MHZ TO 80MHZ	: -12dB MIN.
80MHZ TO 100MHZ	: -10dB MIN.
- ◆ CROSSTALK: 1MHZ TO 100MHZ : -35dB MIN.
- ◆ COMMON MODE REJECTION: 1-100MHZ : -35dB MIN.
- ◆ HIPOT: 1500V AC 1mA 1S.
- ◆ CAPACITOR: 1000pF ± 25% 2KV.
- ◆ RESISTANCE: 75OHMS ± 20%.
- ◆ RESISTANCE OF COIL: 1.80HMS MAX, 0.250HMS MIN.
- ◆ LEFT LED COLOR: GREEN; RIGHT LED COLOR: YELLOW.



TOLERANCE (mm)	APPROVALS	DATE	TITLE	AMPHENOL Amphenol European Design Center	
±0.25	DRAWN Stephane	2014/Feb/12	100BASE-TX RJ45 R/A DIP TAB-UP w/LED G/Y	Scale N.A.	Sheet 2 of 2
	CHECKED Rob	2014/Feb/12			
	APPROVED Rob	2014/Feb/12			
UNLESS OTHERWISE SPECIFIED		UNIT : mm	SIZE : A4	DRAWING N° LMJ205881X001CNL	REV. A

X-ON Electronics

Largest Supplier of Electrical and Electronic Components

Click to view similar products for [DC Fans](#) category:

Click to view products by [Amphenol](#) manufacturer:

Other Similar products are found below :

[614R](#) [6424/2HP-210](#) [8312R](#) [DV4118/2NP-183](#) [AFB0948HH-S687](#) [PFB0824DHE-8B72](#) [G2E085-AA05-10](#) [RD20S-4/210660](#) [4318/12T](#)
[4418HH](#) [AUB0912H-F00](#) [3412N/2ME](#) [K2E225-RA92-09](#) [4184N/2XR](#) [5214N2HH](#) [614J2HHPR-010](#) [8412NGL-12](#) [4114N/12HHR-297](#)
[4656](#) [ZWR-903](#) [4112N12GL-175](#) [KD2406PKB2.\(2\).GN](#) [AFB1248HHE](#) [AFB1212LE-F00](#) [FAN-SCH-1](#) [MF60151V1-1000U-G99](#)
[PF80252V1-1000U-G99](#) [PF92252V1-1000U-G99](#) [4112N/2H6P](#) [4114N/17-251](#) [6212NH](#) [622/2N](#) [712F-011](#) [8218J/2NP-181](#) [W1G180-AB47-](#)
[15](#) [FAA1-12038NBKW31-A](#) [6318N/2TDP](#) [6318N/2H3PU](#) [6318HU](#) [424JMU](#) [PMD1206PTVX-A.U.GN](#) [PF80251B2-000U-F99](#)
[EF40101BX-1000U-G99](#) [AD1224LB-A71GL](#) [9GA0924L4021](#) [9GA0924M4021](#) [9GA0924M4011](#) [9GA0824B20011](#) [9GA0812A2D0011](#)
[9GA0912M4D011](#) [9GA0924W4D01](#)