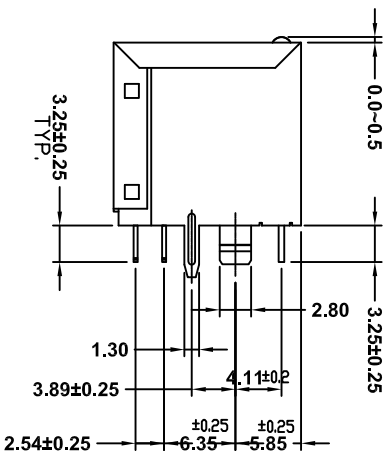
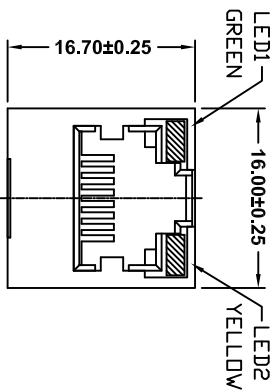


DETAIL X

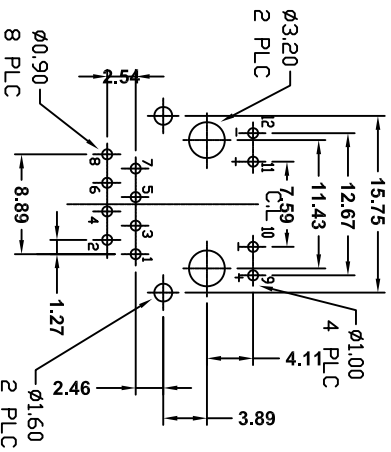
MATERIAL:
 • HOUSING-PBT POLYESTER UL94V-0
 MIXED GLASS FIBER
 STANDARD COLOR-BLACK
 • CONTACTS-0.35mm THICK PHOS-BRONZE
 SELECTIVE GOLD PLATED IN CONTACT AREA;
 GOLD FLASH PLATED IN SOLDER AREA,
 • SHIELD-0.25mm THICK COPPER ALLOY,
 PLATED WITH NICKEL.
 CAVITY CONFIRMS TO FCC RULES AND REGULATIONS
 PART 68,SUBPART F.



Ordering Information

LMJ213881 X SOL0T6C

- X: Contact Plating
- 1: 15u" gold
- 2: 30u" gold
- 3: 50u" gold
- 4: 6u" gold
- 5: G/F



PCB Layout
 Ref.



TOLERANCE (mm)	APPROVALS	DATE	TITLE	SIZE	DRAWING N°	REV.
X, ±0.3	DRAWN: Stephane	2012/May/29	10/100 Base-T RJ45, Single port,	A4	LMJ213881XSOL0T6C	A
X,X ±0.2	CHECKED: Rob	2012/May/29	Top entry, w/LED & Transformer			
X,XX ±0.15	APPROVED: Rob	2012/May/29				
UNLESS OTHERWISE SPECIFIED	UNIT: mm					

Amphenol

Amphenol European
 Design Center

Scale N.A.

Sheet 1 of 2

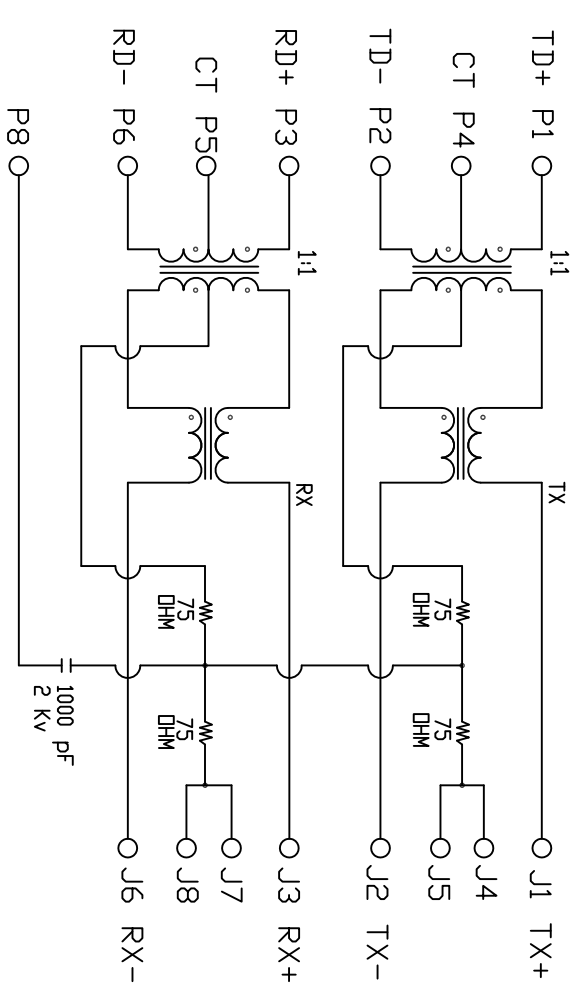
ELECTRICAL CHARACTERISTICS

TEST NOTES: (25°±5°C)

1. TR: (100KHZ, 0.1V);
PINS:(1-2)<(J1-J2)=1CT:1CT±3%;
PINS:(3-6)<(J3-J6)=1CT:1CT±3%;
2. LX: (100KHZ, 100mV, 8mA, DC Bias)
PINS: (1,2),(3,6)=350uH MINIMUM
3. DCR:
PINS: (1-2),(J1-J2),(J3-J6)=1.0 OHMS MAXIMUM.
PINS: (5-6)=1.2 OHMS MAXIMUM.
4. HIPDT:
PINS(1,4,2)TD(J1,J2)=1500VAC FOR 2 SECONDS
PINS(3,5,6)TD(J3,J6)=1500VAC FOR 2 SECONDS
5. INSERTION LOSS:
-10dB MAXIMUM AT 1MHZ TD 100MHZ
6. RETURN LOSS:
-20dB MINIMUM AT 1MHZ TD 30MHZ
-15dB MINIMUM AT 30MHZ TD 60MHZ
-10dB MINIMUM AT 60MHZ TD 100MHZ
7. CROSS TALK:
-30dB MINIMUM AT 1MHZ TD 100MHZ
8. COMMON TD COMMON MODE REJECTION:
-30dB MINIMUM AT 1MHZ TD 100MHZ

CONNECTOR SOLDER SIDE

CONTACT SIDE



CONNECTOR SCHEMATIC



TOLERANCE (mm)	APPROVALS	DATE	TITLE	SCALE	SHEET
X. ±0.3	DRAWN Stephane	2012/May/29	10/100 Base-T RJ45, Single port, Top entry, w/LED & Transformer	A4	LMJ213881XS01LOT6C
X.X ±0.2	CHECKED Rob	2012/May/29			
X.XX ±0.15	APPROVED Rob	2012/May/29			
UNLESS OTHERWISE SPECIFIED	UNIT	mm	SIZE DRAWING N°	Scale N.A.	Sheet 2 of 2
					REV. A

Amphenol
Amphenol European Design Center

X-ON Electronics

Largest Supplier of Electrical and Electronic Components

Click to view similar products for [Modular Connectors](#) / [Ethernet Connectors](#) category:

Click to view products by [Amphenol](#) manufacturer:

Other Similar products are found below :

[RJE231881317T](#) [MP1010RX-1000](#) [MP44RX-1000](#) [GAX-3-66](#) [GAX-8-62](#) [93606-0253](#) [GD-A-44](#) [GDCX-PA-66-50](#) [GDCX-PN-64](#) [GDCX-PN-66](#) [GDCX-PN-66-50](#) [GDLX-A-66](#) [GDLX-A-88](#) [GDLX-N-66](#) [GDLX-S-88K](#) [GDTX-S-88-50](#) [GDX-PA-1010](#) [GLX-A-44](#) [GLX-N-1010M-BLK](#) [GLX-N-44M](#) [GLX-S-88M-BLK](#) [GMX-N-1010](#) [GMX-S-1010](#) [GMX-S-66](#) [GMX-SMT2-N-1010](#) [GMX-SMT2-N-64-50](#) [GMX-SMT2-S6-88](#) [GMX-SMT4-N-88](#) [GPX-2-64](#) [GRT1-BT1-5](#) [GSGX-N-2-88](#) [GSX-NS2-88-3.05](#) [GSX-NS2-88-3.05-50](#) [GSX-NS-88-3.05-30](#) [GSX-NS-88-3.05-50](#) [GSX-NS-88-3.68](#) [1-1775629-2](#) [GWLX-S-88-GR](#) [GWLX-S9-88-YG](#) [1300500326](#) [1300500227](#) [1300530003](#) [1300570002](#) [1324640-4](#) [RJ11FTVC2G](#) [RJ11FTVC2N](#) [RJFTVX2SA1G](#) [132764-001](#) [1400000](#) [1413176](#)