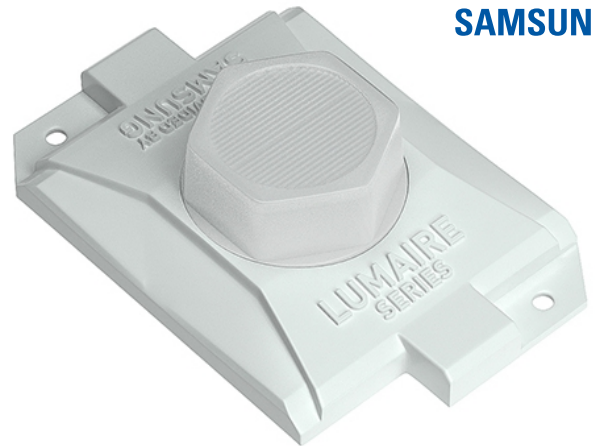


## ATRIA LM-SAG2R-W1

### Features

- High reliability LEDs by Samsung (3535)
- High luminous efficiency - 105 lm/W
- Special elliptical lighting lens - 45 x 10°
- Intelligent Control driver (IC)
- Constant current driver (CC)
- LM80 Rated (>80% of max. light output after 5 years)
- Flame retardant RESIN body (meets UL94 V-1 flammability standard)
- Can be cut between every module
- Attached 3M double-sided adhesive tape

**5** year  
warranty  
**SAMSUNG**



### Applications

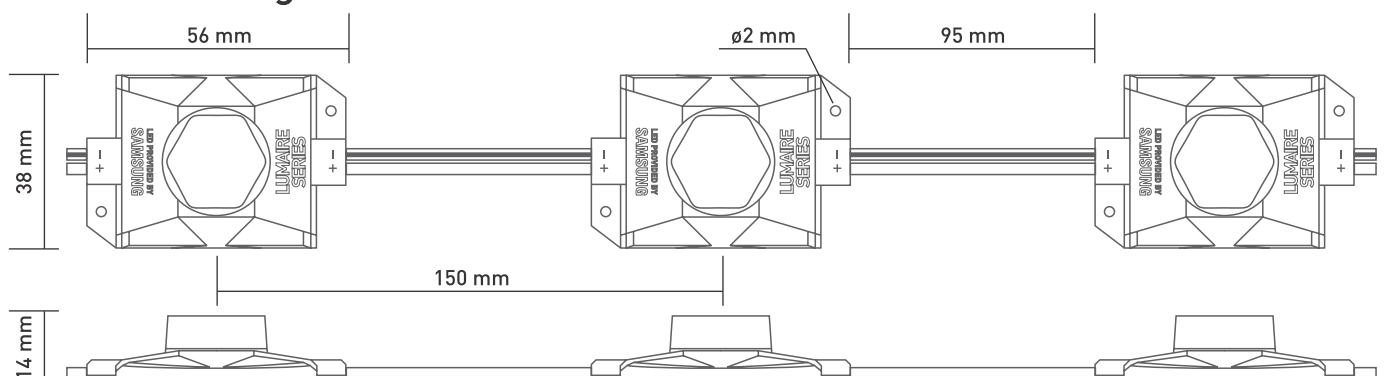
- Typically used in light boxes
- Can depth/returns: 80 - 200 mm
- Double-sided light boxes
- Citylights
- Outdoor banners

### Specifications

Product code	LM-SAG2-W1	LM-SAG2-WW1
Available colours	White	Warm white
Color temperature, K	6500~7000K	3000~3500K
Power, W	1.44W at 12V	
Typical luminous flux, lm	150 Lm (white)	
LED Type	3535 (Samsung LED)	
Dimensions	56 x 38 x 14 mm	
Protection class	IP67 - Fully enclosed, flame retardant RESIN body	
Drivers	Intelligent Control (IC), Constant Current (CC). Dimming: available	
Working temperature, C°	-30C° ~ +50C°	
Cable length	Cable: 95 mm. Distance between centers: 150 mm	
Mounting	Double-sided adhesive tape and mounting holes	
Packaging	20 pcs/chain, 20 pcs/pallet, 100 pcs/inner carton,	

\*Additional mounting information: the double-sided adhesive tape is for placement of the module only and additional fixation is needed

### Technical drawing



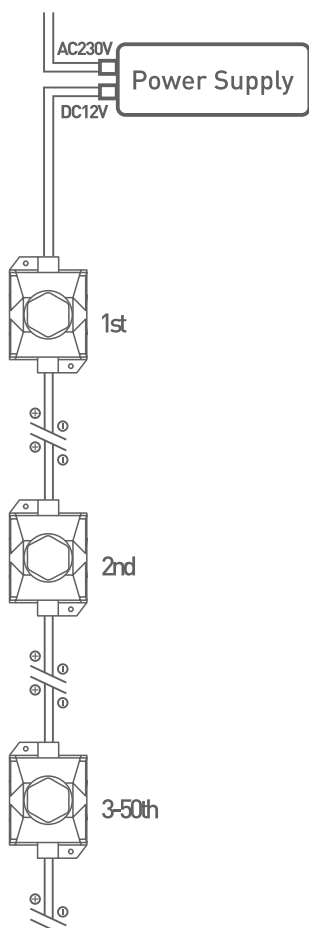
## Layout recommendations

LED Module	Letter / Lightbox / Projector sign depth, mm																							
	30	40	50	60	70	80	90	100	110	120	130	140	150	160	170	180	190	200	210	220	230	240	250	
LM-SAG2-W1	◆	◆	◆	◆	◆	◆	◆	◆																
LM-SAG2-W3						◆	◆	◆	◆	◆	◆	◆	◆											
LM-SAG3-W3										◆	◆	◆	◆	◆	◆	◆	◆	◆	◆	◆	◆	◆	◆	◆
LM-SAG2R-W1						◆	◆	◆	◆	◆	◆	◆	◆	◆	◆	◆	◆	◆	◆					

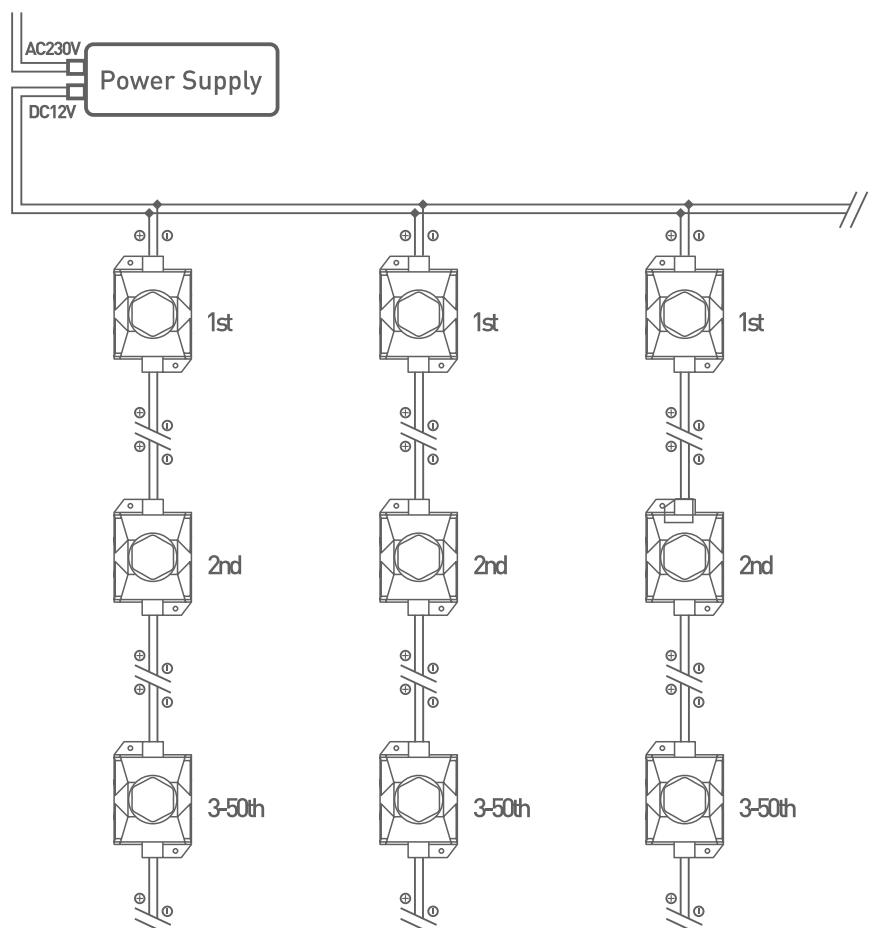
## Max. load per power supply, pcs.

LED Module	LPS-12V18W Power: 18W	LPS-12V60W Power: 60W	LPS-12V100W Power: 100W
LM-SAG2-W1	25	84	142
LM-SAG2-W3	19	63	104
LM-SAG3-W3	12	40	67
LM-SAG2R-W1	10	35	58

### Connection In series



### Connection In parallel



## X-ON Electronics

Largest Supplier of Electrical and Electronic Components

*Click to view similar products for [LED Lighting Bars and Strips](#) category:*

*Click to view products by [Leddex](#) manufacturer:*

Other Similar products are found below :

[ZLF0310W62524](#) [LF1D-F2F-2W-300](#) [HH-SWW320F210W24-COB IP65](#) [HH-SNW320F210W12-COB IP65](#) [HH-SNW320F010W12-COB IP20](#) [HH-SNW320F210W24-COB IP65](#) [HH-SNW320F010W24-COB IP20](#) [HH-SNW528F210W12-COB IP65](#) [HH-SNW528F010W12-COB IP20](#) [HH-SNW528F010W24-COB IP20](#) [HH-SCW320F210W12-COB IP65](#) [HH-SCW320F010W12-COB IP20](#) [HH-SCW528F210W12-COB IP65](#) [HH-SCW528F010W12-COB IP20](#) [HH-SR528F010W12-COB IP20](#) [HH-SR528F010W24-COB IP20](#) [LF2D-EN2F-2W-A](#) [PUUA-100LLL-NK2P](#) [HC-F12V-3535 PCBA](#) [HC-F12V-WS2811-3535](#) [HC-F24V-6L-36LED-W-WS2821/IP20](#) [HC-F5V-144L-144LED-B-WS2813 IP20](#) [HC-F5V-144L-144LED-B-WS2813 IP65](#) [HC-F5V-144L-144LED-W/IP65](#) [HC-F5V-144L-144LED-W-WS2813 IP20](#) [HC-F5V-30L-30LED-B-WS2813 IP20](#) [HC-F5V-60L-60LED-B-WS2813 IP20](#) [HC-F5V-60L-60LED-W-WS2813 IP65](#) [HC-T12V-10L-30LED-W/IP20](#) [HC-T12V-16L-48LED-W/IP20](#) [HC-T12V-16L-48LED-W/IP65](#) [HC-T12V-20L-60LED-W/IP65](#) [LFBHL-SW860-24V-12D83-20](#) [LFBLL-SW860-24V-5S200-20-IC](#) [LFBML-MW827860-24V-12D83-20](#) [LFBML-SW827-24V-6S167-20](#) [LM-SAG1-W2](#) [LMV-MINI-W2](#) [LS-2835W120RN](#) [LS-2835W120RN1](#) [LS-2835W60RN2](#) [LS-2835WW120R-1](#) [LS-2835WW60RN](#) [LS-3014WW60RN](#) [LS-3014WW60RN3](#) [LS-3528W60RN-1](#) [LS-3528W60RN-2](#) [LS-5050F60R-2](#) [LS-5050F60RN-3](#) [LS-5050W30RN](#)