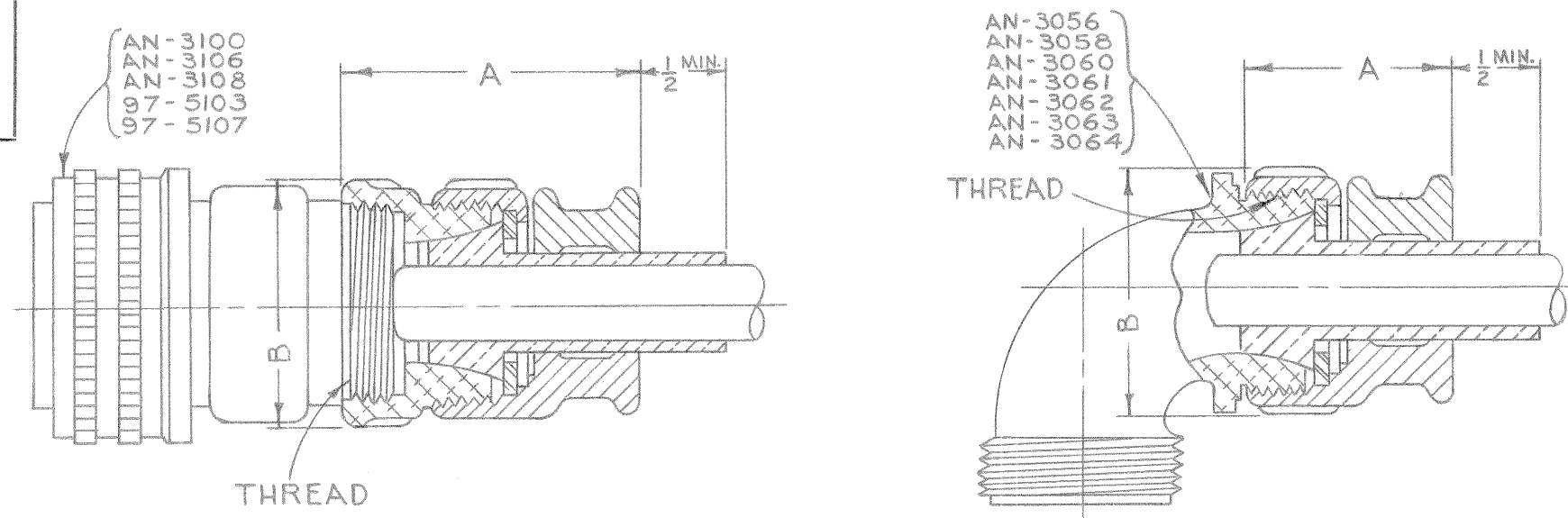


NOTICE - These drawings, specifications, or other data (1) are, and remain the property of Amphenol Corporation (2) must be returned upon request; and (3) are confidential and are not to be disclosed to any person other than those to whom they are given by Amphenol Corporation. The furnishing of these drawings, specifications, or other data by Amphenol Corporation, or by any other person, to anyone for any purpose is not to be regarded by implication or otherwise as in any manner licensing, granting rights or permitting such holder or any other person to manufacture, use or sell any product, process or design, patented or otherwise, that may in any way be related to or disclosed by said drawings, specifications or other data.



| REVISIONS | | | | |
|-----------|------|---|----------|----------|
| SYM | ZONE | DESCRIPTION | DATE | APPROVED |
| G | | REVISED & REDRAWN CN 27230 | 8-12-65 | JH |
| H | B4 | P/N 9767-44-24 OBSOLETE. C.N. 29594 J.B. | 11-7-67 | JH |
| J | C-4 | P/N 9767-10-3 OBSOLETE CN30051 B.D. | 8-12-68 | JH |
| K | | CANCEL SIZES 9767-40-20 & 9760-40-24 PER ECN # 43015-A | 11/22/77 | JH |
| L | | CANCELLED 9767-36-24 CN 44261 | 11-6-81 | JH |
| M | | ECO DOCUMENT NOS. INCORPORATED CHANGED FSCM NO. TO 77820 ECN: 75005-342 | 9/13/87 | JH |
| N | | (CLII) SEE CHANGE NOTICE ECN: 81193 | 1-16-86 | JED |
| P | | (CLII) SEE ECN: 81773 | 7-22-86 | JED |

| AMPHENOL NO. | CATALOGUE NO. | CABLE | FITTING | CONNECTOR | THREAD | A | B | ADAPTER | CLAMP * LESS 2 WASH. | BUSHING | WASHER ONLY |
|------------------------|--------------------------|-------------------|---------------|-------------------|----------------------|---------------------|---------------------|-----------------------|-------------------------|---------------------|--------------------|
| 97-67-3 | 10-825923-3 | 5/32 | 3 | 85-10S | 1/2-28 | 1 | 2 1/32 | 3055-10-3 | AN-3057-3 | 9779-31 | 9776-3 |
| 97-67-12-3 | 10-825923-121 | 5/32 | 3 | 12S-12 | 5/8-24 | 1 1/32 | 2 5/32 | 3055-12-3 | AN-3057-3 | 9779-31 | 9776-3 |
| 97-67-4 | -4 | 7/32 | 4 | 85-10S | 1/2-28 | 1 | 2 5/32 | 3055-10-4 | AN-3057-4 | 9779-41 | 9776-4 |
| 97-67-12-4 | -122 | 7/32 | 4 | 12S-12 | 5/8-24 | 1 1/32 | 2 5/32 | 3055-12-4 | AN-3057-4 | 9779-41 | 9776-4 |
| 97-67-14-4 | -141 | 7/32 | 4 | 14S-14 | 3/4-20 | 1 1/32 | 2 9/32 | 3055-14-4 | AN-3057-4 | 9779-41 | 9776-4 |
| 97-67-16-4 | -161 | 7/32 | 4 | 16-16S | 7/8-20 | 1 1/32 | 1 1/16 | 3055-16-4 | AN-3057-4 | 9779-41 | 9776-4 |
| 97-67-6 | -6 | 1 1/32 | 6 | 10SL | 5/8-24 | 1 5/64 | 2 9/32 | 3055-12-6 | AN-3057-6 | 9779-61 | 9776-6 |
| 97-67-14-6 | -142 | 1 1/32 | 6 | 14S-14 | 3/4-20 | 1 5/32 | 2 9/32 | 3055-14-6 | AN-3057-6 | 9779-61 | 9776-6 |
| 97-67-16-6 | -162 | 1 1/32 | 6 | 16S-16 | 7/8-20 | 1 5/32 | 1 1/16 | 3055-16-6 | AN-3057-6 | 9779-61 | 9776-6 |
| 97-67-18-6 | -181 | 1 1/32 | 6 | 18 | 1-20 | 1 9/32 | 1 3/16 | 3055-18-6 | AN-3057-6 | 9779-61 | 9776-6 |
| 97-67-8 | -8 | 7/16 | 8 | 16S-16 | 7/8-20 | 1 1/8 | 1 1/16 | 3055-16-8 | AN-3057-8 | 9779-81 | 9776-8 |
| 97-67-16-8 | -163 | 7/16 | 8 | 18 | 1-20 | 1 9/32 | 1 3/16 | 3055-18-8 | AN-3057-8 | 9779-81 | 9776-8 |
| 97-67-18-8 | -182 | 7/16 | 8 | 20-22 | 1 3/16-18 | 1 9/32 | 1 3/8 | 3055-22-8 | AN-3057-8 | 9779-81 | 9776-8 |
| 97-67-10 | -10 | 9/16 | 10 | 18 | 1-20 | 1 1/8 | 1 3/16 | 3055-18-10 | AN-3057-10 | 9779-101 | 9776-10 |
| 97-67-18-10 | -183 | 9/16 | 10 | 20-22 | 1 3/16-18 | 1 9/32 | 1 3/8 | 3055-22-10 | AN-3057-10 | 9779-101 | 9776-10 |
| 97-67-22-10 | -222 | 9/16 | 10 | 24-28 | 1 7/16-18 | 1 9/32 | 1 5/8 | 3055-28-10 | AN-3057-10 | 9779-101 | 9776-10 |
| 97-67-28-10 | -281 | 9/16 | 10 | 32 | 1 3/4-18 | 1 9/32 | 1 5/16 | 3055-32-12 | AN-3057-12 | 9779-121 | 9776-12 |
| 97-67-12 | -12 | 1 1/16 | 12 | 20-22 | 1 3/16-18 | 1 3/16 | 1 3/8 | 3055-22-12 | AN-3057-12 | 9779-121 | 9776-12 |
| 97-67-22-12 | -223 | 1 1/16 | 12 | 24-28 | 1 7/16-18 | 1 2 1/32 | 1 5/8 | 3055-28-12 | AN-3057-12 | 9779-121 | 9776-12 |
| 97-67-28-12 | -282 | 1 1/16 | 12 | 32 | 1 3/4-18 | 1 2 3/32 | 1 5/16 | 3055-32-12 | AN-3057-12 | 9779-121 | 9776-12 |
| 97-67-32-12 | -321 | 1 1/16 | 12 | 36 | 2-18 | 1 3 1/32 | 2 3/16 | 3055-36-16 | AN-3057-16 | 9779-161 | 9776-16 |
| 97-67-16 | -16 | 2 7/32 | 16 | 24-28 | 1 7/16-18 | 1 5/16 | 1 5/8 | 3055-28-16 | AN-3057-16 | 9779-161 | 9776-16 |
| 97-67-28-16 | -283 | 2 7/32 | 16 | 32 | 1 3/4-18 | 1 2 7/32 | 1 5 1/16 | 3055-32-16 | AN-3057-16 | 9779-161 | 9776-16 |
| 97-67-32-16 | -322 | 2 7/32 | 16 | 36 | 2-18 | 1 3 1/32 | 2 3/16 | 3055-36-16 | AN-3057-16 | 9779-161 | 9776-16 |
| 97-67-36-16 | -361 | 2 7/32 | 16 | 40 | 2 1/4-16 | 2 3/32 | 2 7/16 | 3055-40-20 | AN-3057-20 | 9779-201 | 9776-20 |
| 97-67-32-20 | -20 | 1 1/32 | 20 | 32 | 1 3/4-18 | 1 1/2 | 1 5 1/16 | 3055-32-20 | AN-3057-20 | 9779-201 | 9776-20 |
| 97-67-32-20 | -323 | 1 1/32 | 20 | 36 | 1 3/4-18 | 1 3 1/32 | 1 5 1/16 | 3055-36-20 | AN-3057-20 | 9779-201 | 9776-20 |
| 97-67-32-20 | -362 | 1 1/32 | 20 | 40 | 2-18 | 2 1 1/32 | 2 3 1/16 | 3055-40-20 | AN-3057-20 | 9779-201 | 9776-20 |
| 97-67-32-20 | -401 | 1 1/32 | 20 | 40 | 2 1/4-16 | 2 3/32 | 2 7/16 | 3055-40-20 | AN-3057-20 | 9779-201 | 9776-20 |
| 97-67-24 | -24 | 1 3/16 | 24 | 40 | 2-18 | 1 9/16 | 2 3/16 | 3055-40-24 | AN-3057-24 | 9779-241 | 9776-24 |
| 97-67-24 | -402 | 1 3/16 | 24 | 44 | 2 1/4-16 | 2 3/32 | 2 7/16 | 3055-40-24 | AN-3057-24 | 9779-241 | 9776-24 |
| 97-67-44-24 | 9767-44-24 | 1 3/16 | 24 | 44 | 2 1/2-16 | 2 7/32 | 2 1 1/16 | 3055-44-24 | AN-3057-24 | 9779-241 | 9776-24 |
| 97-67-28 | 10-825923-28 | 1 3/8 | 28 | 48 | 2 1/4-16 | 1 9/16 | 2 1/2 | 3055-48-28 | AN-3057-28 | 9779-281 | 9776-28 |
| 97-67-28 | -481 | 1 3/8 | 28 | 48 | 3-16 | 2 1 1/32 | 3 3/16 | 3055-48-28 | AN-3057-28 | 9779-281 | 9776-28 |
| 97-67-32 | -32 | 1 5/8 | 32 | 44 | 2 1/2-16 | 1 9/16 | 2 3/4 | 3055-44-32 | AN-3057-32 | 9779-321 | 9776-32 |
| 97-67-32 | -441 | 1 5/8 | 32 | 44 | 2 1/2-16 | 2 7/32 | 2 1 1/16 | 3055-44-32 | AN-3057-32 | 9779-321 | 9776-32 |
| 97-67-40 | -40 | 2 | 40 | 40 | 3-16 | 1 5/8 | 3 1/4 | 3055-40-40 | AN-3057-40 | 9779-401 | 9776-40 |

OBSOLETE

OBSOLETE

IDENTIFY PACKAGE WITH "AMPHENOL" AND AMPHENOL PART NUMBER. EXAMPLE: 97-67-14-4

9) ADDED TO NUMBER INDICATES CLAMP LESS TWO WASHERS. (1) 10-825925-XX & (1) 10-825924-XX WASHER.

UNLESS OTHERWISE SPECIFIED
LINEAR DIMENSIONS ARE IN INCHES
TOLERANCES: .XXX ± .010,
.XX ± .03, .X ± .1, ANGLES ± 2°
OTHER STANDARDS PER 9-3800
AND DOD-D-1000.

| | | | |
|------------------------|--------------|------|---------|
| DRAWN | HOFRICHTER | DATE | 8-12-65 |
| CHECKED | J.H. L.X. | | 8-16-65 |
| APPROVED | G.H. | | 8-16-65 |
| ENGINEERING RELEASE | | | |
| No. | 11 | | 7-23-43 |
| INDUSTRIAL ENGRG APPD. | | | |
| DESIGN ACTIVITY APPD. | | | |
| EXPERIMENTAL NO. | | | |
| FINAL ASSEMBLY | NEXT USED ON | | |
| MATERIAL | | | |
| FINISH | | | |

| ITEM NO. | PART OR IDENTIFYING NO. | QTY REQD | NOMENCLATURE OR DESCRIPTION |
|---|-------------------------|-----------|-----------------------------|
| LIST OF MATERIALS OR PARTS LIST | | | |
| AMPHENOL CONNECTOR DIVISION AMPHENOL CORPORATION CHICAGO, ILLINOIS 60650 | | | |
| TITLE | | | |
| WATERTIGHT CLAMP ASSEMBLY | | | |
| SIZE | FSCM NO. | | REV |
| C | 77820 | 10-825923 | P |
| SCALE | WT. EST. | ACT. | SHEET OF |

TAB.

9767

B

A

X-ON Electronics

Largest Supplier of Electrical and Electronic Components

Click to view similar products for [Circular MIL Spec Strain Reliefs & Adapters](#) category:

Click to view products by [Amphenol](#) manufacturer:

Other Similar products are found below :

[896227-000](#) [899170S004](#) [6000-063-0022](#) [613751-000](#) [CS6624-000](#) [620AB038Z136](#) [620AS001Z108](#) [620AS038Z112](#) [620AS038Z120](#)
[620AS038Z132](#) [620FB038NF08](#) [620HA038NF13](#) [620HA038NF25](#) [620HA042XM13](#) [620HB049NF17](#) [620HS011NF21](#) [620HS038NF11](#)
[620HS038Z121](#) [620HS042XM19](#) [620HS042XM25](#) [620HS042XW13](#) [620HS048B17](#) [620MS064NF09](#) [620MS064NF12](#) [620MS065M12](#)
[620MS065Z107](#) [620MS065ZNU06](#) [630J041M06H](#) [630J041M20H](#) [637S010NF0212H](#) [640830-000](#) [659943-000](#) [66241-10A](#) [CW0597-000](#)
[CW0598-000](#) [CW0948-000](#) [CY0122-000](#) [M85049/41-6A W/B](#) [M85049/42-12DS](#) [M85049/47N8](#) [M85049/47W18](#) [M85049/51-1-14S](#)
[M85049/51-1-8W](#) [M85049/51S16S](#) [M85049/60-1N16](#) [M85049/60-2G12W](#) [M85049/69-11N](#) [CZ3661-000](#) [D02922-000](#) [70.360.1628.0](#)