

NAME: 100006199 OBJECT: 2T\_CAPACITOR\_ASM DATE: 30-Jul-08 14:04:30

14

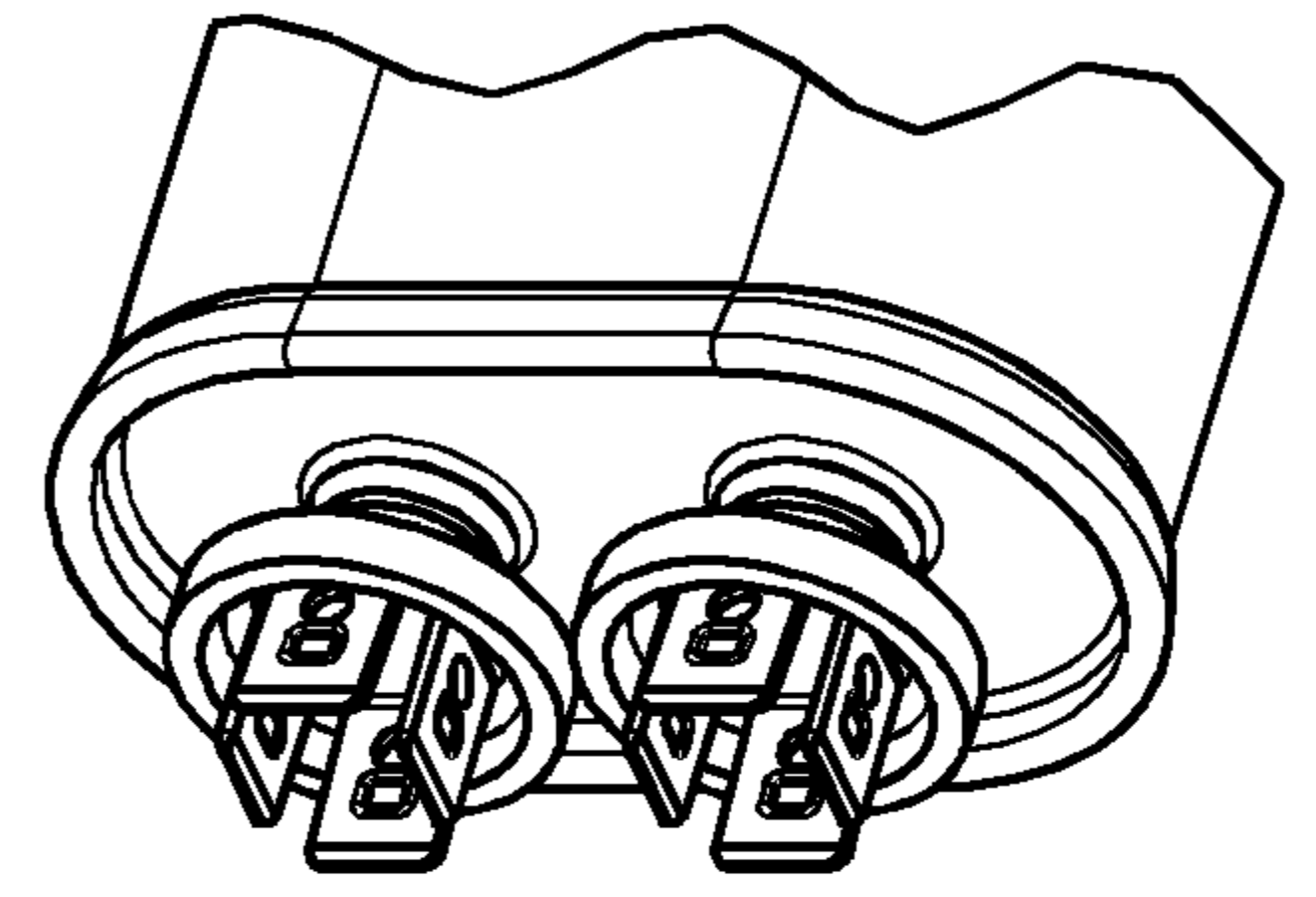
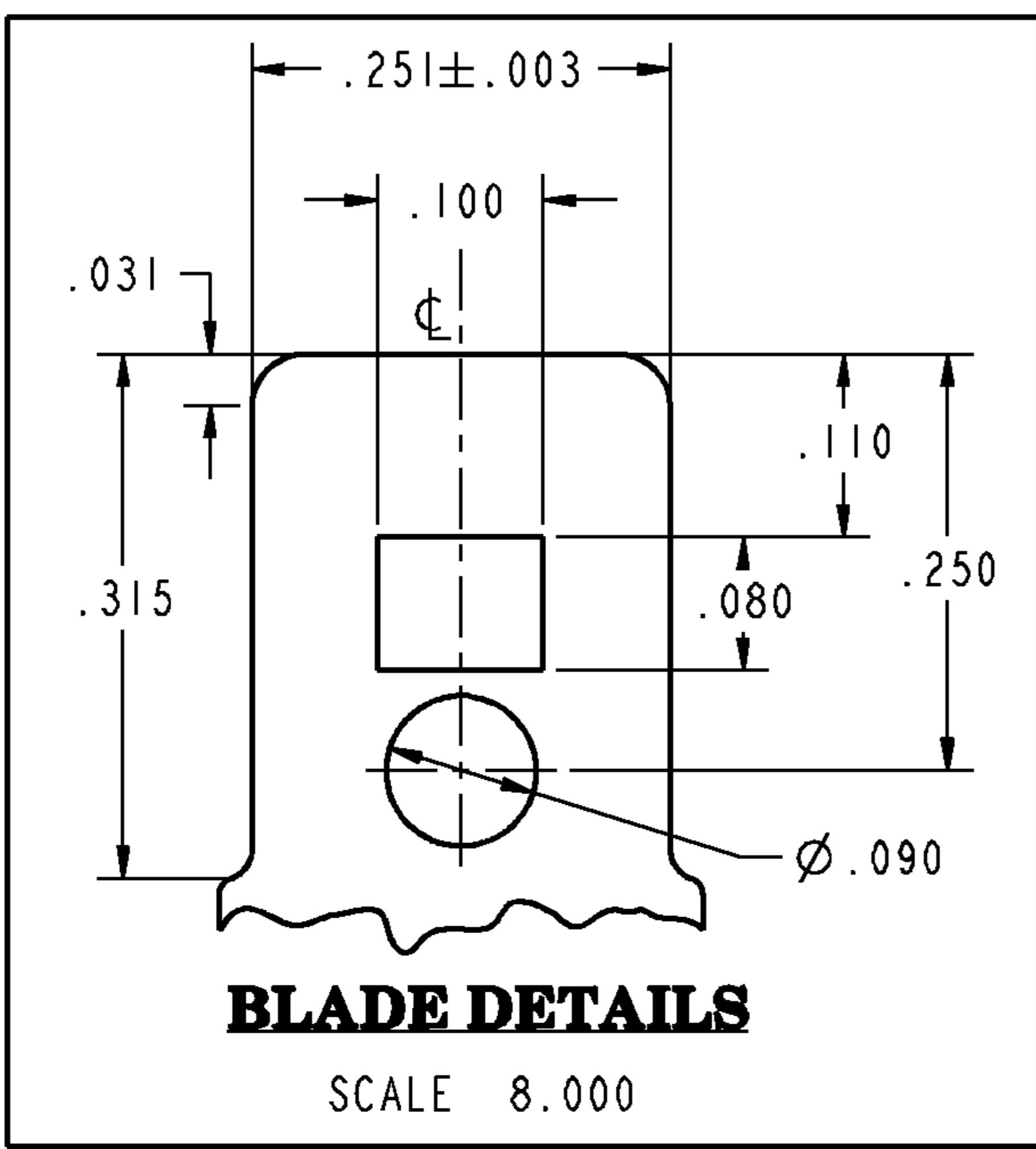
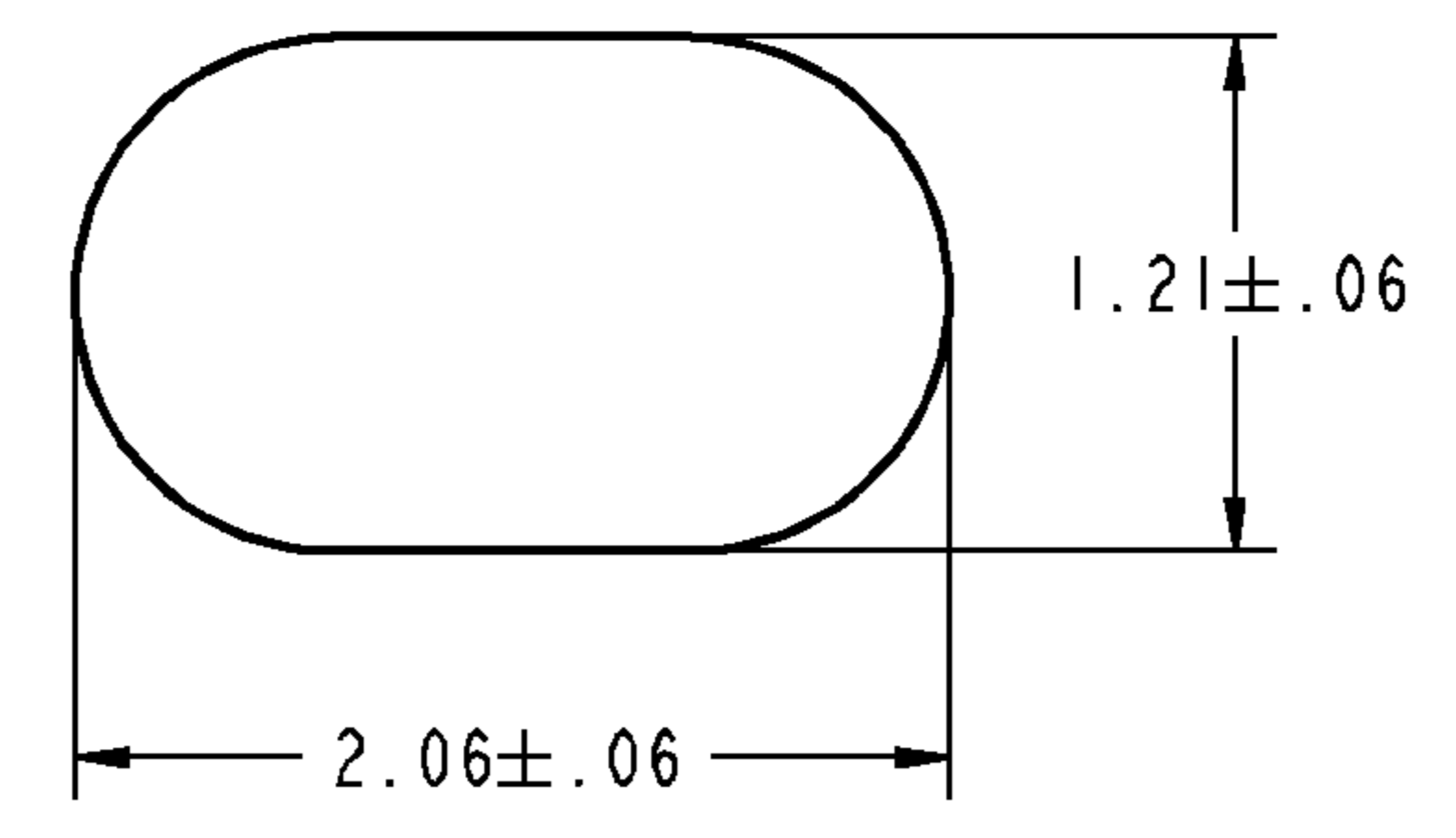
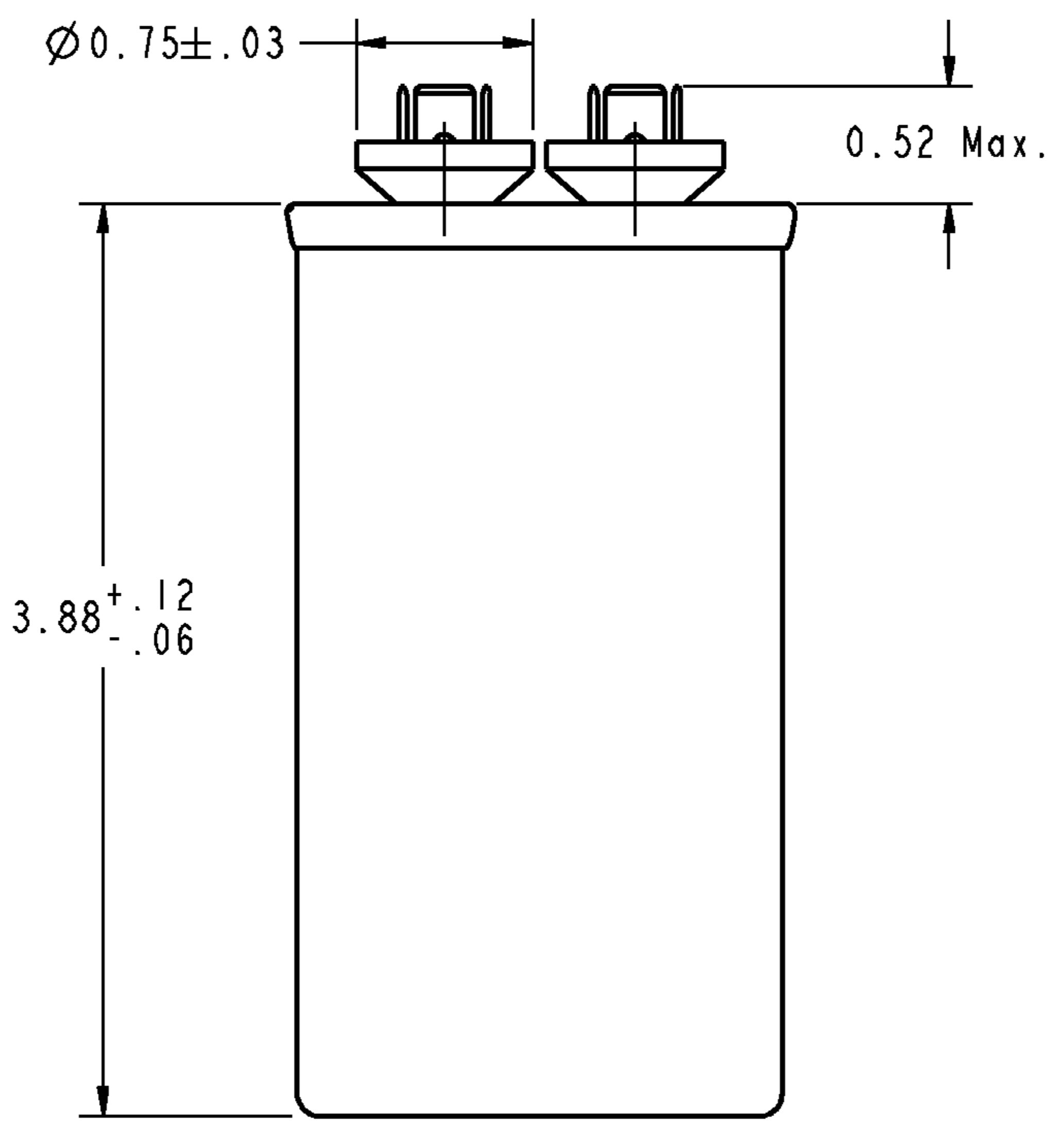
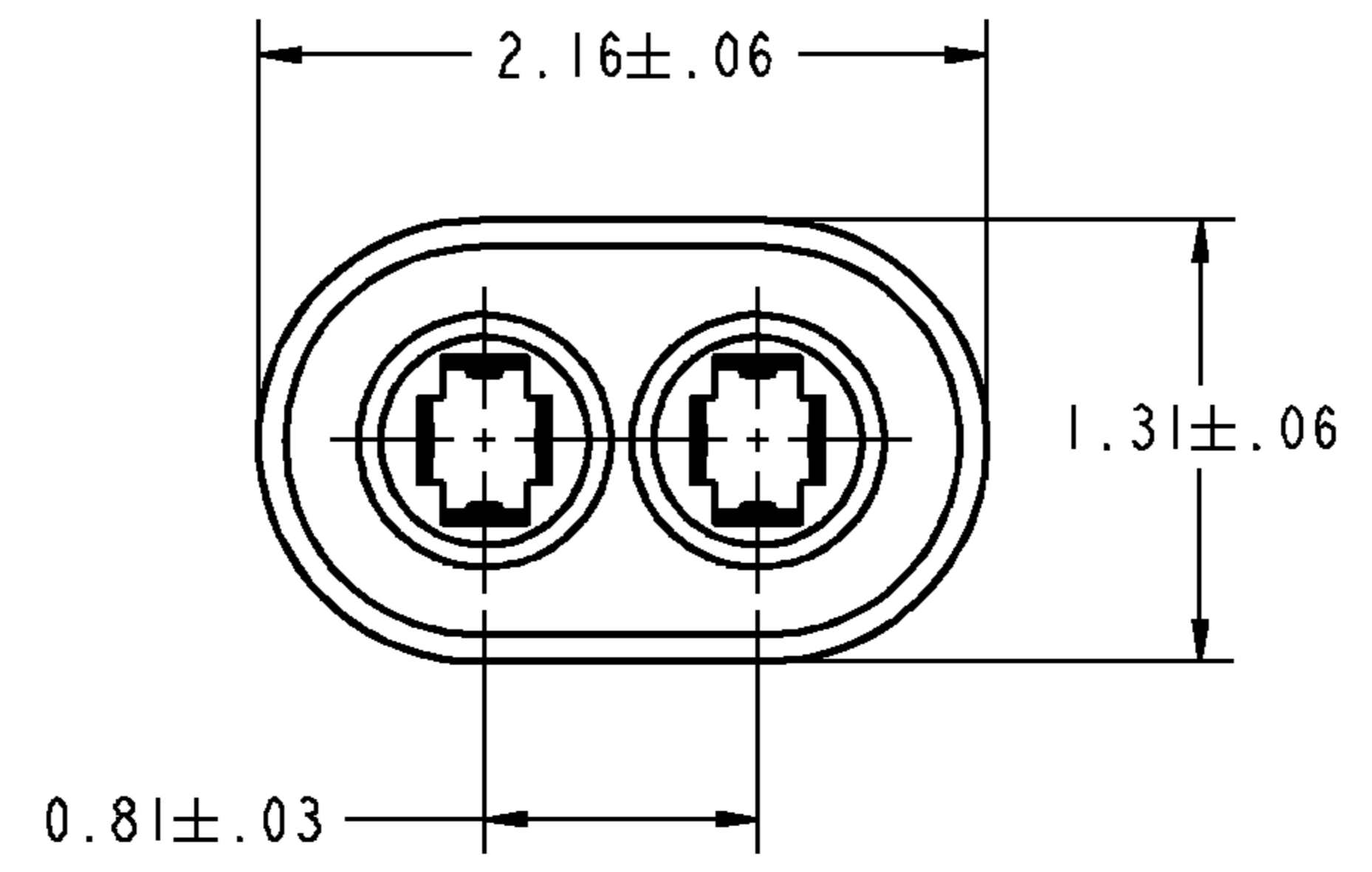
13

12

SIZE C DRAWING NO. 97F9004 REV 2 SHEET 1

**RBC PROPRIETARY AND CONFIDENTIAL INFORMATION**  
 This document is the property of REGAL BELOIT CORPORATION ("RBC") including its subsidiaries and divisions and contains proprietary information of RBC. This document is loaned on the express condition that neither it nor the information contained therein shall be disclosed to others without the express written consent of RBC, and that the information shall be used by the recipient only as approved expressly by RBC. This document shall be returned to RBC upon its request. This document may be subject to certain restrictions under U.S. export control laws and regulations.

| REVISIONS |                                     |          |          |
|-----------|-------------------------------------|----------|----------|
| REV.      | DESCRIPTION                         | DATE     | APPROVED |
| 1         | Modified as per ECN No. 0627        | 11/11/05 | HV       |
| 2         | Modified as per ECN No. 0668 & 0673 | 7/18/08  | HV       |

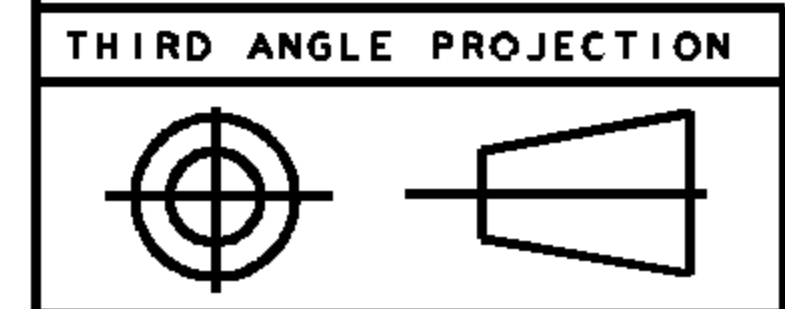


SCALE 1.500

**SPECIFICATIONS :**

"GEM-III Capacitors are manufactured with High Grade Metallized Polypropylene Film"

|                       |                                      |
|-----------------------|--------------------------------------|
| Main Capacitance      | : 15.00µF ± 6%                       |
| Secondary Capacitance | : NIL                                |
| Volts                 | : 370AC                              |
| Leakage Current       | : 30µA Max.                          |
| Frequency             | : 50/60 HZ                           |
| Operating Temperature | : -40 DEG C TO 70 DEG C              |
| Storage Temperature   | : -40 DEG C TO 90 DEG C              |
| Operative Life        | : 60,000 HRS WITH 94% SURVIVAL       |
| Dissipation Factor    | : 0.1% MAX.                          |
| Case Material         | : ALUMINIUM                          |
| Cover Material        | : STEEL TIN PLATED                   |
| Terminals             | : 0.250"x0.031" Quick Connect Blades |
| Dielectric Fluid      | : DIELEKTROL VI                      |
| Internal Protection   | : UL RECOGNIZED PSI A10000AFC        |



| FOR ADDITIONAL INFO REFER TO:                       |                              | SIGNATURES | DATE     |
|---|------------------------------|------------|----------|
| APPLIED PRACTICES                                   | MODEL                        | NPS        | 07/25/08 |
| UNLESS OTHERWISE SPECIFIED DIMENSIONS ARE IN INCHES | DETAIL                       | NPS        | 07/25/08 |
| TOLERANCE ON:                                       | CHECKED                      | HV         | 07/25/08 |
| 1 PL DECIMALS ± 0.1                                 | ENGRG                        |            |          |
| 2 PL DECIMALS ± 0.01                                | MFG                          |            |          |
| 3 PL DECIMALS ± 0.001                               | QUALITY                      |            |          |
| ANGLES ± 0.5  | ISSUED                       |            |          |
| FRACTIONS ±   |                              |            |          |
| FINISH ✓  |                              |            |          |
| MATERIAL  | SOLID MODEL: 2TCAPACITOR_ASM |            |          |



REGAL-BELOIT CORPORATION

| TITLE                                |  | SIZE         | DRAWING  | REV          |
|--------------------------------------|--|--------------|----------|--------------|
| GEM III CAPACITOR<br>OUTLINE DRAWING |  | C            | 97F9004  | 2            |
|                                      |  | SCALE: 1.250 | REF. No: | SHEET 1 OF 1 |

14

13

12

11

## X-ON Electronics

Largest Supplier of Electrical and Electronic Components

*Click to view similar products for [Film Capacitors](#) category:*

*Click to view products by [Genteq](#) manufacturer:*

Other Similar products are found below :

[F339X134748MIP2T0](#) [F450KG153J250ALH0J](#) [750-1018](#) [FKP1-1500160010P15](#) [FKP1R031007D00JYSD](#) [FKP1R031507E00JYSD](#)  
[FKP1U024707E00KYSD](#) [82DC4100CK60J](#) [82EC1100DQ50K](#) [PFR5101J100J11L16.5TA18](#) [PME261JB5220KR19T0](#) [A451GK223M040A](#)  
[A561ED221M450A](#) [QXJ2E474KTPT](#) [QXL2B333KTPT](#) [R49AN347000A1K](#) [EEC2G505HQA406](#) [B25668A6676A375](#) [B25673A4282E140](#)  
[BFC233868148](#) [BFC2370GC222](#) [C3B2AD44400B20K](#) [C4ASWBU3220A3EK](#) [CB027C0473J--](#) [CB177I0184J--](#) [CB182K0184J--](#) [23PW210](#)  
[950CQW5H-F](#) [SBDC3470AA10J](#) [SCD105K122A3-22](#) [2N3155](#) [A571EH331M450A](#) [FKP1-2202KV5P15](#) [FKS3-680040010P10](#)  
[QXL2E473KTPT](#) [445450-1](#) [B25669A3996J375](#) [46KI322000M1M](#) [46KR415050M1K](#) [4BSNBX4100ZBFJ](#) [MKP383510063JKP2T0](#)  
[MKPY2-.02230020P15](#) [MKT 1813-368-015](#) [4055292001](#) [46KN410000N1K](#) [EEC2E106HQA405](#) [EEC2G205HQA402](#) [EEC2G805HQA415](#)  
[P409CP224M250AH470](#) [82EC2150DQ50K](#)