



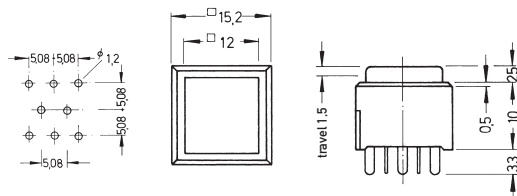
Illuminated Pushbutton Switches

Specifications:

Contact rating:	250 V AC, 3 A / 125 V AC, 3 A 30 V DC, 3 A
Contact resistance:	< 50 mΩ
Insulation resistance:	> 100 MΩ at 500 V DC
Dielectric strength:	1500 V, 50 Hz for the duration of 1 minute
Operating temperature:	-25 °C to +70 °C
Mechanical life:	minimum 30 000 operations
Contacts/Terminals:	solder tags or PC terminals, brass, silver-plated also available gold-plated, version B (see page 4)
Case material:	PA, black
Mounting:	single-hole mounting or on pc-board
Soldering conditions:	hand-soldering – max.: 30 W, 5 sec, 270 °C wave-soldering – max.: 3 sec, 245 °C ± 10 °C

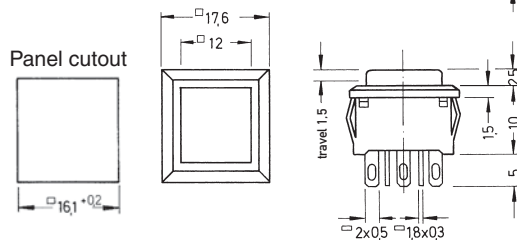
Models: Switching functions

D P D T
 LP 2 SR. – PC on – mom
 LP 2 SN. – PC on – on



Illumination by **one** LED

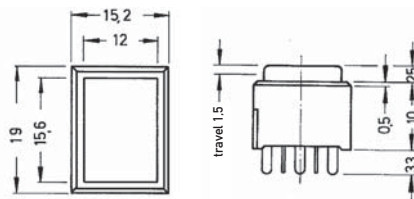
D P D T
 LP 2 SR. on – mom
 LP 2 SN. on – on



Illumination by **one** LED

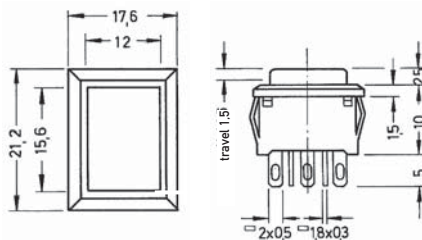
R (LED red)
 G (LED green)
 Y (LED yellow)

D P D T
 LP 2 WR. – PC on – mom
 LP 2 WN. – PC on – on



Illumination by **two** LEDs

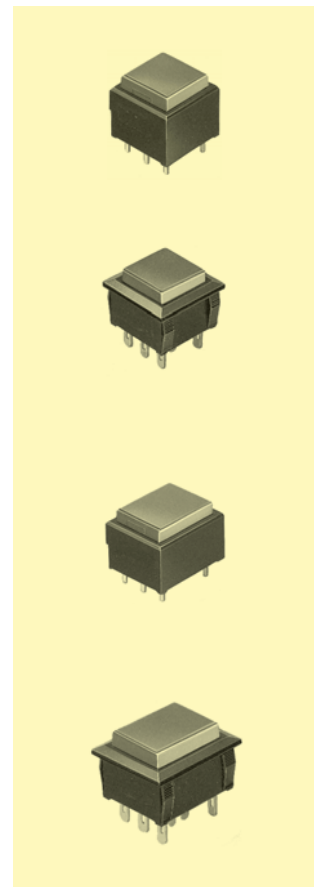
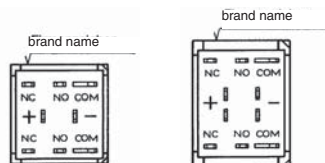
D P D T
 LP 2 WR. on – mom
 LP 2 WN. on – on



Illumination by **two** LEDs

R (LED red)
 G (LED green)
 Y (LED yellow)

LP 2.. R: I_F = 30 mA; U_F = 2,0 V
 LP 2.. G: I_F = 20 mA; U_F = 1,95 V
 LP 2.. Y: I_F = 20 mA; U_F = 1,9 V



X-ON Electronics

Largest Supplier of Electrical and Electronic Components

Click to view similar products for [Pushbutton Switches](#) category:

Click to view products by [Knitter-Switch](#) manufacturer:

Other Similar products are found below :

[LW1L-M1C10V-A](#) [LW2L-A1C20M-GD](#) [LW2L-M1C20M-A](#) [60324L](#) [M7E-HRN2](#) [67021K512](#) [67081K512X](#) [701PB580](#) [719-5504-000](#)
[MDPSSGLFS](#) [810KSV30B](#) [MML23KA3AC05K-001](#) [MML23KW3AA01W](#) [8418K2](#) [8646AB6X718UL](#) [8646ABUL](#) [FSDWH](#) [9001KXRK](#)
[9001T8BK](#) [9533CD4+U574+U4922](#) [1203MRA](#) [A22EM01S](#) [A595](#) [1202A6](#) [12037A2ULCSA](#) [1203A2UL](#) [ABD122N-B](#) [1211390004](#)
[ABN111-Y](#) [1211500044](#) [1211580012](#) [1212MRA](#) [1232A6NF](#) [RA3CSH6A](#) [1241.1183.7047](#) [1241.2511](#) [1241.3428](#) [1223A2ULCSA](#)
[1223MRA](#) [1232AX2119](#) [1241.1183.8000](#) [1241.1183.8029](#) [1241.2506](#) [1241.2606](#) [12MA6](#) [1301940184](#) [RELBARF6X10\(PLASTIC\)](#)
[13435AG](#) [13440AD2G25X822+U4546](#) [13445A4GX768](#)