

SLIK-94

SIMFACT II

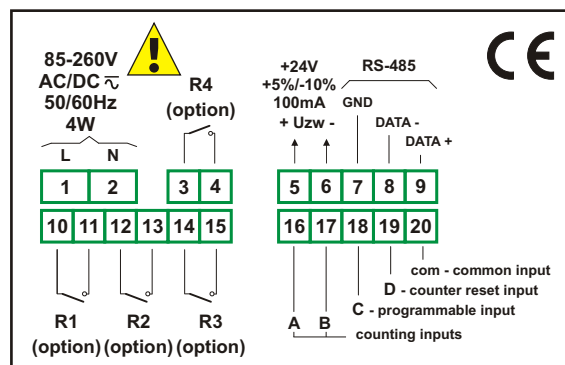
- ▣ multi-purpose counter with batching function
- ▣ 2 pulse counting inputs
- ▣ 1 programmable function input
- ▣ 1 counter reset input
- ▣ 0, 2 or 4 relay (or OC) outputs



The **SLIK-94** counter is a cross between the existing SLI-94 and SLK-94. The device has two independent counting inputs that can operate in various configurations. A programmable function input enables changing the operating mode of the counting inputs (up-down and down-up or quadrature) or stopping the count. The **SLIK-94** counter features an independent reset input. It has 0, 2 or 4 relay (or OC) outputs with programmable activation thresholds, which can be used to control external equipment.

- digital interference eliminator,
- 4 counter reset sources,
- relays operation time programmable to 99 min.,
- programmable multiplier, divider and offset,
- programmable decimal point position,
- ACCESS option - easy threshold modification,
- interface RS-485,
- available with AC and DC power supply versions.

Exemplary pin assignment



Ordering

SLIK-94-15XX-1-X-XX1

options:

- 00 : no options
- 01 : IP 65 frame

power supply:

- 3 : 24V AC/DC
- 4 : 85V - 260V AC/DC

type of outputs:

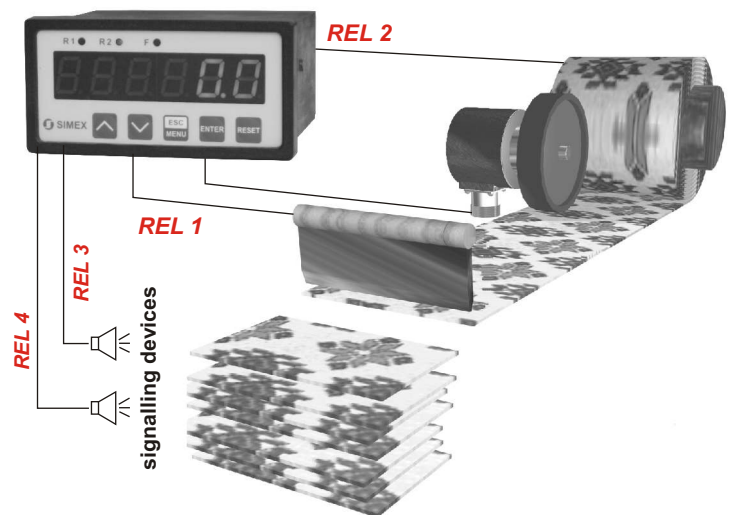
- 0 : no output
- 1 : REL
- 2 : OC

number of outputs:

- 0
- 2
- 4

Typical applications

1. Measuring the length of the material being wound, featuring control of the cutting knife drive system according to set parameters, control of the material drive system, as well as alarm signalling.



Technical data

Power supply: 19V ± 50V DC; 16V ± 35V AC or 85 ± 260V AC/DC, all separated

Power consumption: for 85 ± 260V AC/DC and 16V ± 35V AC power supply: max. 4,5 VA; 19V ± 50V DC power supply: max. 4,5 W

Display: LED, 6 x 13 mm high, red (green - on request)

Inputs: pulse

- A and B inputs - counting (down-up and up-down or quadrature)
- C input - programmable
- D input - counter reset
- COM - common

Input levels: low: 0V ± 1V

high: 10V ± 30V

Max. input frequency: electronic: 10 kHz / 5 kHz (for quadrature)
contact: max. 90 Hz (adjustable filter)

Displayed values range: from -99999 to 999999

Outputs: 0, 2 or 4; relay 1A/250V AC (cosφ=1) or the OC 30mA/30VDC/100mW

Transducer power supply output: 24V DC +5%, -10% / max. 100 mA, stabilized, not insulated from measuring inputs

Communication interface: RS-485, 8N1 and 8N2, 1200 bit/s ± 115200 bit/s, Modbus RTU (not galvanically isolated)

Data memory: non-volatile memory, EEPROM type

Operating temperature: 0°C ± +50°C

Storage temperature: -10°C ± +70°C

Protection class: IP 65 (front), available additional frame IP 65 for panel cut-out sealing; IP 20 (case and connection clips)

Case: board

Case material: NORYL - GFN2SE1

Case dimensions: 96 x 48 x 100 mm

Panel cut-out dimensions: 90,5 x 43 mm

Installation depth: min. 102 mm

Board thickness: max. 5 mm

X-ON Electronics

Largest Supplier of Electrical and Electronic Components

Click to view similar products for [Counters & Tachometers](#) category:

Click to view products by [Simex](#) manufacturer:

Other Similar products are found below :

[LC2H-FE-2K-N](#) [H7CN-XLN DC12-48](#) [LC24-F-N](#) [H7CXAWD1NDC1224AC24](#) [H7ER-NV1-H](#) [H7CX-A114S-N AC100-240](#) [H7CX-AWSD-N-DC12-24](#) [H7CX-AU-N AC100-240](#) [GPMZC-SET](#) [CX6S-1P2F](#) [CX6S-1P4F](#) [CX6S-2P2F](#) [CX6S-2P4F](#) [H127.010A01H](#) [H5KLR-11 100-240V AC/DC](#) [H7CX-AUD1-N](#) [H7CX-AW-N](#) [3.550.401.075](#) [3.550.401.351](#) [LC2H-C-2K-N](#) [LC2H-C-30-N](#) [LC2H-F-DL-2KK](#) [LC4H-R4-AC240VS](#) [LC4H-R6-AC240V](#) [1.150.510.012.550](#) [1.150.510.054.550](#) [1.150.510.056.550](#) [6.520.012.300](#) [6.560.010.300](#) [SLE-73-1400-1-4-01](#) [SLIK-94-1521-1-3-001](#) [SLN-94-1421-1-3](#) [SPI-73-1411-1-3-011](#) [CT6S-1P4](#) [Y-50](#) [LC4H-R4-AC24V](#) [LC4H-R4-DC24V](#) [CT6S-2P4](#) [LC2H-F-DL-2KK-B](#) [LC2H-FE-DL-2KK-B](#) [LC2H-FE-FV-30](#) [H127.010A01G](#) [H5KLR-8B 12-48 AC/DC](#) [H7CX-A11-N](#) [H7CX-AD-N](#) [H7CX-AU-N](#) [H7ER-NV1](#) [H8DA 12-48V AC/DC](#) [87622062](#) [99776901](#)