

PRODUCT NUMBER
98424-X52-XX-XXXLF

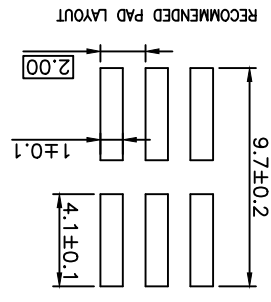
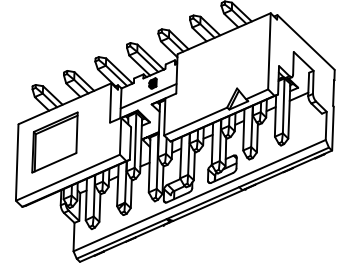
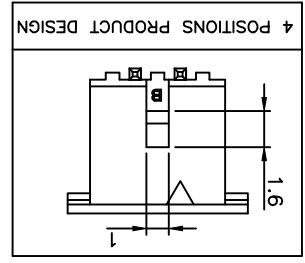
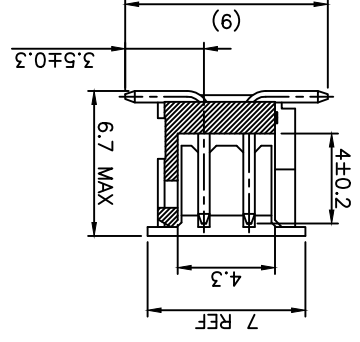
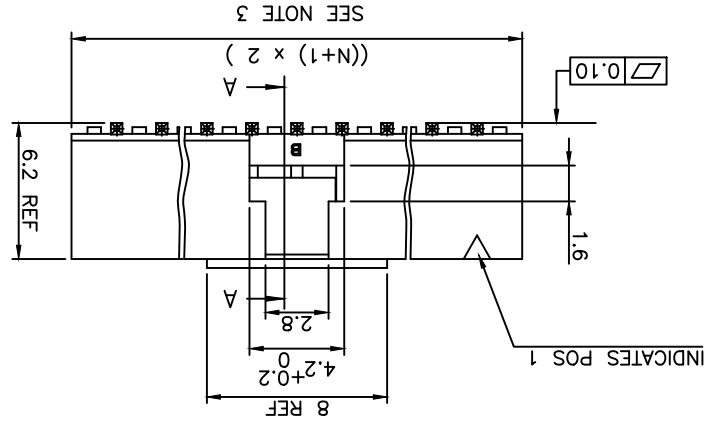
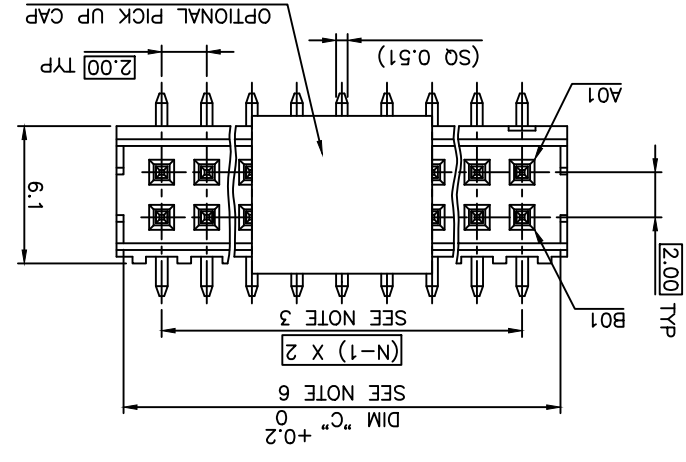
- PLATING
- S = 0.38µm GOLD/GXT ON CONTACT AREA 2µm MIN MATTE TIN ON TAIL
- F = GOLD FLASH ON CONTACT AREA 2µm MIN MATTE TIN ON TAIL
- G = 0.76µm GOLD/GXT ON CONTACT AREA 2µm MIN MATTE TIN ON TAIL
- T = 2.0-6.0µm FULL MATTE TIN
- 1.27µm NI MIN UNDERLAYER

- NOTES:
- 1. MATERIAL HOUSING: HIGH TEMP. THERMOPLASTIC UL-94V0
- = STANDARD COLOR CREAM
- B = OPTIONAL COLOR BLACK
- 2. MATERIAL TERMINAL: COPPER ALLOY
- 3. TO DETERMINE DIMENSIONS:
- N = NUMBER OF POSITIONS PER ROW
- 4. 7N MIN. PIN RETENTION IN EITHER DIRECTION.

- 5. PACKAGING:
- = STANDARD PACKAGING IN POLYBAGS
- = POLYBAGS PACKAGING WHEN POLARISATION FEATURE APPLICABLE
- U = TUBE AVAILABLE FROM 08 TO 50 POS
- A = TAPE AND REEL WITH PICK UP CAP, AS AVAILABLE
- K = TAPE AND REEL WITHOUT PICK UP CAP, AS AVAILABLE.
- C = TAPE AND REEL WITH SPECIAL LARGE CAP, ONLY FOR 98424-Y52-06CLF FOR ALL SPECIAL PACKAGING, FCI TO BE CONTACTED
- UV = TUBE WITHOUT PICK UP CAP FOR CUSTOMER DEDICATED PART
- AV = TAPE & REEL WITH PICK UP CAP FOR CUSTOMER DEDICATED PART
- KV = TAPE & REEL WITHOUT PICK UP CAP FOR CUSTOMER DEDICATED PART

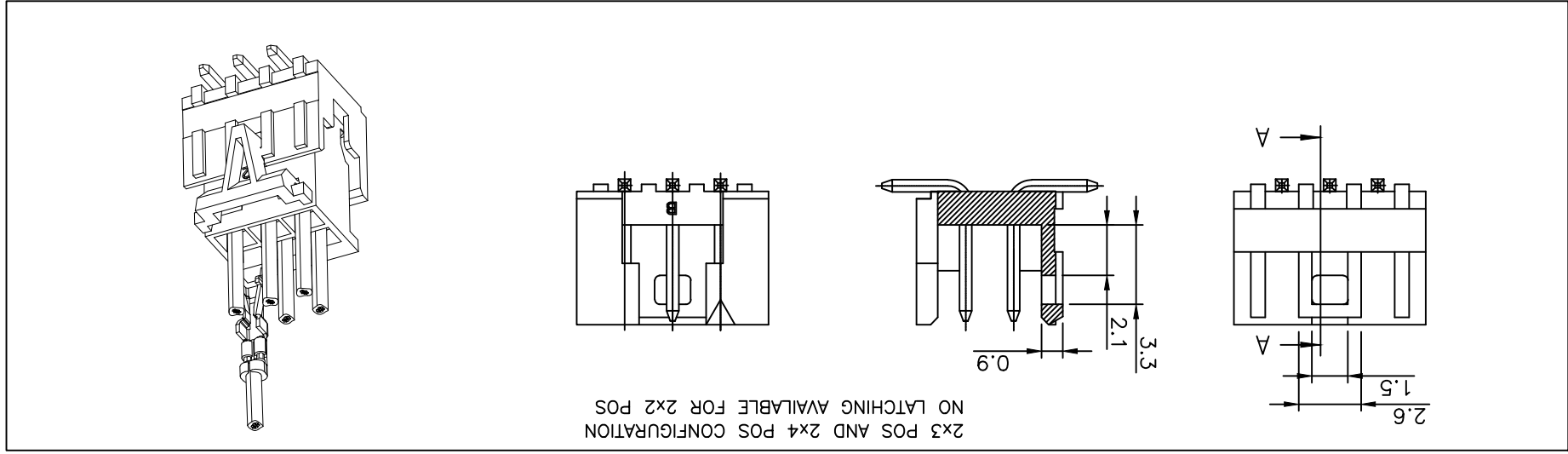
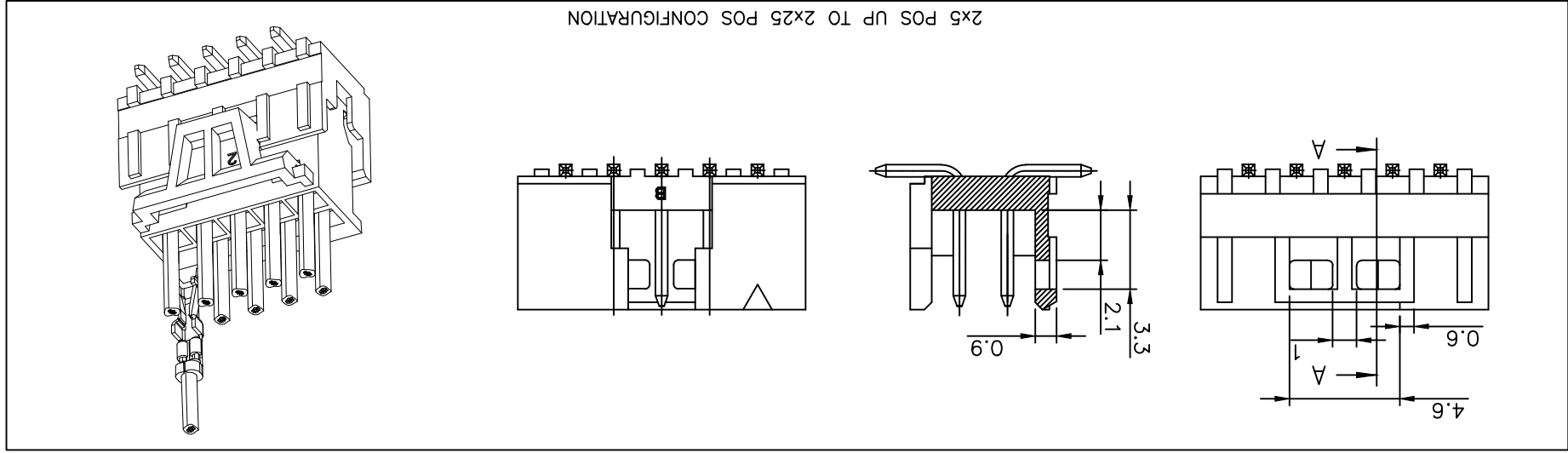
- 6. DIM "C" = (N x 2) + 1.4
EXAMPLE: N = 7
DIM "C" = (7 x 2) + 1.4 = 15.4 mm
- 7. FOR POLARIZATION, SPECIFIED PIN
EXAMPLE : A03 = ROW A, POSITION 03 TO OMIT PIN
OMIT FROM PRODUCT NUMBER IF THIS FEATURE IS NOT APPLICABLE
- 8. ROHS COMPATIBLE PRODUCT SPECIFICATIONS

- a - PLATING:
- "LF" MEANS THE PRODUCT IS LEAD-FREE, 2µm MINIMUM MATTE TIN OVER 1.27µm MINIMUM NICKEL UNDERPLATE.
- b - MANUFACTURING PROCESS COMPATIBILITY
- THE HOUSING WILL WITHSTAND EXPOSURE TO 260°C PEAK TEMPERATURE FOR 30 SECONDS
- MAX IN A CONVECTION, INFRA-RED OR VAPOR PHASE OR REFLOW OVEN.
- c - LABELLING:
- MEETS PACKAGING SPECS AS PER GS-14-920
- THIS PRODUCT MEETS EUROPEAN DIRECTIVES AND OTHER COUNTRY REGULATIONS AS DESCRIBED IN GS-47-0004.



mat'l. code	ISO 1302	ISO 1302	ISO 406	ISO 150	projection	product family	MINITEK	title	SHR HEADER	2.00 VERTICAL SMT	sheet 1 of 2 size	98424	CUSTOMER Drawing
SEE NOTES	tolerances unless otherwise specified	linear	angles	mm	scale 1:1								
ltr ecn no	dr	date											
N	F10-007	JCO	10.01.28										
P	F11-007	JCO	11.06.17										
R	B-18975	LMU	14.10.01										
S	B-19190	LMU	14.10.24	dr	L.MVLIN	04.09.27							
T	B-19797	AMA	14.12.16	engn	J.COMFAGNON	04.09.27							
U	B-19988	LMU	15.01.13	chr									
V	F-23051	AMA	16.01.15	appd	JMC	04.09.27							
revision	V	A											
sheet	1	2											
index													

LATCHING FEATURES WHEN USED IN COMBINATION WITH ACTIVE LATCH HOUSING 10073599



mat'l. code		ISO 1302	tolerance	ISO 406 ISO 1101	projection	product family	MINITEK
SEE NOTES		ISO 1302	tolerances unless otherwise specified			title	SHR HEADER
A FOR-0113LMU 08.01.17		angles	linear	X.X ±0.3	X.XX ±0.13	scale	1:1
dr L.MULIN 07.11.06		dr	engn J.COMPAIGNON 07.11.06	appd J.M.C 07.11.06	sheet revision	dwg no	98424
sheet revision		sheet	index	type	CUSTOMER Drawing		

X-ON Electronics

Largest Supplier of Electrical and Electronic Components

Click to view similar products for [Headers & Wire Housings](#) category:

Click to view products by [FCT Electronics](#) manufacturer:

Other Similar products are found below :

[95000-104TRLF](#) [10135584-644402LF](#) [DF62W-EP2022PCA](#) [95000-106TRLF](#) [DF62W-2022SCA](#) [DF62W-EP2022PC](#) [2203348](#) [DF62W-2022SC](#) [1084018](#) [1029039](#) [1084017](#) [802-10-012-10-002000](#) [1112640](#) [1112639](#) [891-007-9SS-BST1T](#) [000-34000](#) [0008550134](#) [0009482033](#) [0009507031](#) [57102-F02-18ULF](#) [57102-S06-03LF](#) [57202-S52-04LF](#) [PCN6-15S-2.5E](#) [0039019024](#) [58102-G61-06LF](#) [582553-1](#) [0009485154](#) [0009508121](#) [0022285053](#) [0050291907](#) [018731A](#) [LY20-4P-DT1-P1E-BR](#) [02.125.8002.8](#) [60101931](#) [60598-1 \(Cut Strip\)](#) [M1625-3R/100](#) [61062-3](#) [61082-181009](#) [CSU011177004](#) [636-1427](#) [638009-1](#) [641938-9](#) [641991-4](#) [644168-1](#) [644827-2](#) [647662-1](#) [65039-019ELF](#) [65692-001LF](#) [65781-018](#) [65781-047](#)