

SUNON

SPECIFICATION FOR APPROVAL

CUSTOMER : PHI-CM_D99H110-CLL032
MODEL NO : SM203-14001Y
DESCRIPTION : Thermal Module
DIMENSIONS : D99X110mm
SUNON SPEC. NO. : C02003110F-00
CUSTOMER APPROVAL NO. :
APPROVED BY CUSTOMER :
(AUTHORIZED)

DRAWN Qian 08/07	CHECKED Cloud	APPROVED Amy	SPEC. NO	C02003110F-00
			ISSUED DATE	05. 05. 2014
			EDITION	1
			REVISION DATE	08. 07. 2014

建準電機工業股份有限公司

SUNONWEALTH ELECTRIC MACHINE INDUSTRY CO., LTD.

No. 30, LN. 296, XINYA RD., QIANZHEN DIST TEL:886-7-8135888

KAOHSIUNG CITY 80673, TAIWAN(R. O. C)

FAX:886-7-8230505/8230606/8231010

URL:<http://www.sunon.com>

E-mail: sunon@email.sunon.com.tw



SPECIFICATION FOR APPROVAL

CHECK LIST

1. SPECIFICATIONS ----- Page 2
2. DIMENSION ----- Page 3~4
3. FAI & CPK TEST ----- Page 5~7
4. NOTES ----- Page 8
5. Declaration of RoHS ----- Page 9

SUNONWEALTH ELECTRIC
MACHINE INDUSTRY CO., LTD.

建準電機工業股份有限公司

PAGE	1 OF 9
SPEC. NO.	C02003110F-00
ISSUED DATE	05. 05. 2014
EDITION	1
REVISION DATE	08. 07. 2014

D.C.C.

2014.08.07

發行章

MODEL : SM203-14001Y**1. SPECIFICATIONS**

1. Application	N/A
2. Heat Sink Dimension	80*60*21 HF
3. Heat Sink Material	ADC10(Ni-P Plating)
4. Cooling Method	N/A
5. Thermal Grease / PAD	N/A
6. Fan Dimension	N/A
7. Fan Speed (with Heat Sink)	N/A
8. Fan Airflow (with Heat Sink)	N/A
9. Fan Rating Voltage	N/A
10. Fan Rating Current (with Heat Sink)	N/A
11. Fan Power Consumption (with Heat Sink)	N/A
12. Fan Bearing Type	N/A
13. Fan Connector	N/A
14. Cooling Module Noise	N/A
15. Fan Operating Voltage Range	N/A
16. Operating Temperature	-10 to + 70 deg. C
17. Storage Temperature	-40 to + 70 deg. C
18. Weight	210g
19. Life Expectance	N/A

**SUNONWEALTH ELECTRIC
MACHINE INDUSTRY CO., LTD.**

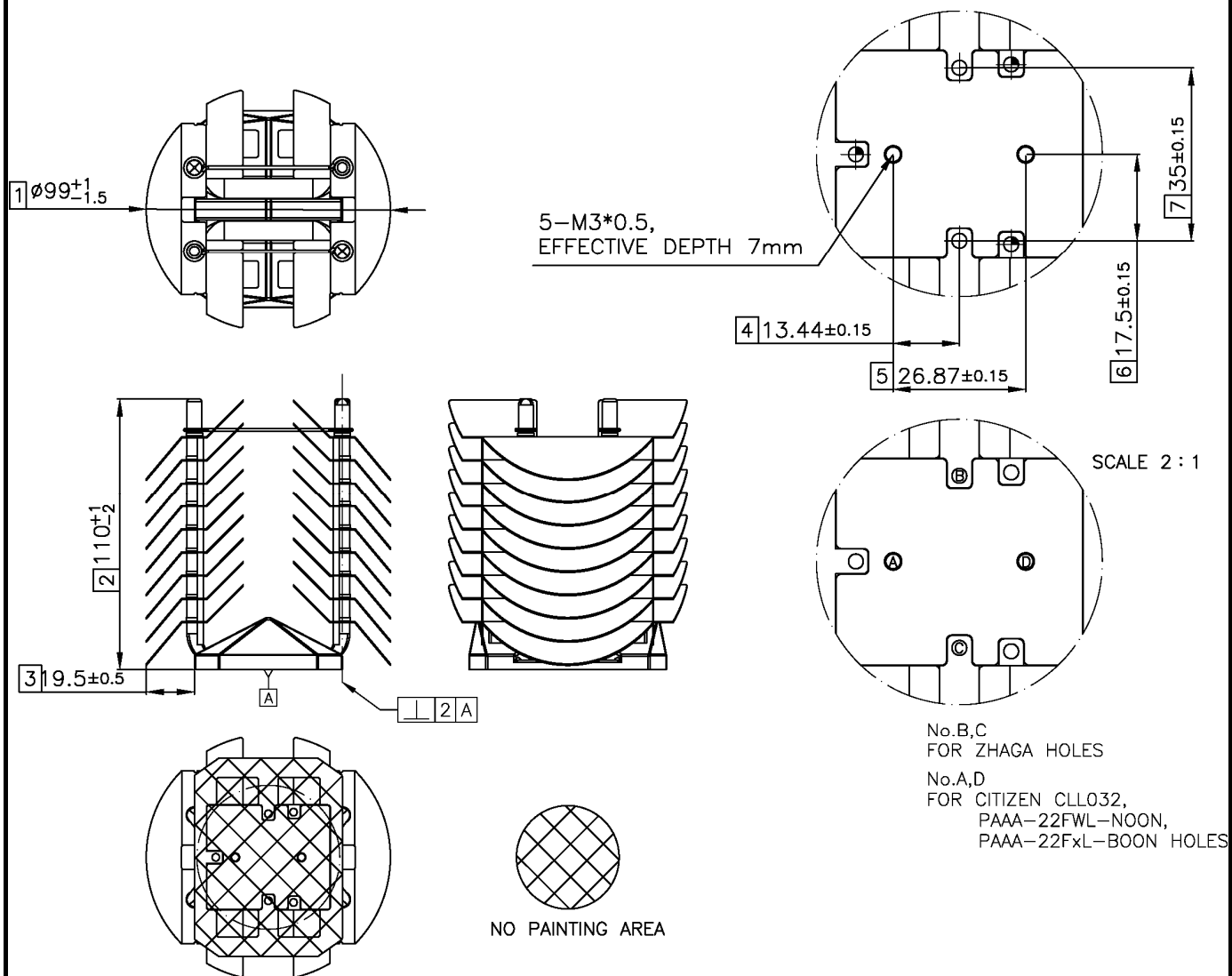
建準電機工業股份有限公司

PAGE	2 OF 9
SPEC. NO.	C02003110F-00
ISSUED DATE	05. 05. 2014
EDITION	1
REVISION DATE	08. 07. 2014

2014.08.07

發行章

2.DIMENSION



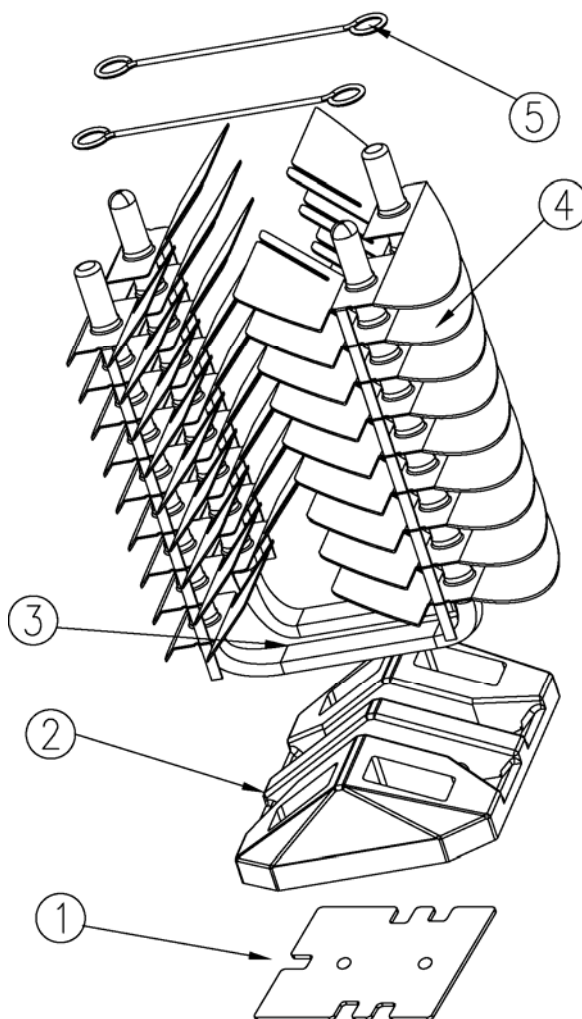
UNIT: mm

SUNONWEALTH ELECTRIC
MACHINE INDUSTRY CO., LTD.
建準電機工業股份有限公司

PAGE	3 OF 9
SPEC. NO.	C02003110F-00
ISSUED DATE	05. 05. 2014
EDITION	1
REVISION DATE	08. 07. 2014



2.DIMENSION



5	CLIP	A206015470F	68.6*8.6*ø1.2 HF	2
4	FIN	A212024920F	D99*109 HF	1
3	HEAT PIPE	A208012390F	D6*268.5*3.0t HF	2
2	DIE CASTING	A212025390F	80*60*21 HF	1
1	COPPER PLATE	A213003230F	50*42*1.0t HF	1
ITEM	NAME	PART No.	SPECIFICATION	QTY
PART DETAIL LIST				

**SUNONWEALTH ELECTRIC
MACHINE INDUSTRY CO., LTD.**

建準電機工業股份有限公司

PAGE	4 OF 9
SPEC. NO.	C02003110F-00
ISSUED DATE	05. 05. 2014
EDITION	1
REVISION DATE	08. 07. 2014



3.FAI & CPK TEST

1.FAI TEST

FAI DATA SHEET

Part Number :	PHI-CM_D99H110-CLL032	Supplier :		Date :	2014/4/22	New :	
Part Description :		ISR No :		Certy/Tool # :		Revised :	
Revision :		Material Spec :		Inspector :		Resubmission :	

MDI-Method of inspection abbreviation: HG = Height gauge, MIC = Micrometer, DC = Dial Caliper, P = Protractor, OC = Optical Comparator, CG = Checking Gauge, CMM = Coordinate Measuring Machine,

OIM = Optical Coordinate Measuring Machine, HT = Hardness Tester, TG = Thickness Gauge, VIS = Visual, PG = Plug Gauge,

ITEM	DRAWING LOCATION	NOMINAL	+TOL	-TOL	Sample Number				Deviation from Nominal				Mean	% Tolerance		Accept/Reject		Inspection Method	Supplier Remarks
					1	2	3	4	1	2	3	4		UPPER	LOWER	HIGH	LOW		
					1	99.000	1.000	1.500	98.515	98.495	98.395	98.355		-0.185	-0.505	-0.605	-0.645		
2	110.000	1.000	2.000	110.208	110.241	110.114	110.058	0.208	0.241	0.114	0.058	110.188	24%	0%	Accept	Accept	CMM		
3	19.500	0.500	0.500	19.502	19.506	19.648	19.655	0.002	0.006	0.148	0.155	19.552	30%	0%	Accept	Accept	CMM		
4	13.440	0.150	0.150	13.412	13.424	13.408	13.481	-0.028	-0.016	-0.032	0.041	13.415	-11%	21%	Accept	Accept	CMM		
5	26.870	0.150	0.150	26.812	26.824	26.835	26.845	-0.058	-0.046	-0.035	-0.025	26.824	0%	39%	Accept	Accept	CMM		
6	17.500	0.150	0.150	17.524	17.565	17.538	17.547	0.024	0.065	0.038	0.047	17.542	43%	0%	Accept	Accept	CMM		
7	35.000	0.150	0.150	35.014	35.065	35.032	35.052	0.014	0.065	0.032	0.052	35.037	43%	0%	Accept	Accept	CMM		

SUNONWEALTH ELECTRIC
MACHINE INDUSTRY CO., LTD.
建準電機工業股份有限公司

PAGE	5 OF 9
SPEC. NO.	C02003110F-00
ISSUED DATE	05. 05. 2014
EDITION	1
REVISION DATE	08. 07. 2014



3.FAI & CPK TEST

2.CPK TEST

No	1	2	3
(Item)	The distance between copper sheet and tail end of heat pipe	The distance between copper sheet and the edge of fins	CPU thermal resistance
Central value	110.000	19.500	
USL	111.000	20.000	0.47
LSL	108.000	19.000	
UNIT	mm	mm	°C/W
ave	109.555	19.516	0.422
max	109.850	19.580	0.450
min	109.353	19.420	0.400
1	109.630	19.480	0.430
2	109.520	19.500	0.430
3	109.430	19.570	0.440
4	109.850	19.510	0.440
5	109.440	19.460	0.400
6	109.420	19.490	0.410
7	109.580	19.480	0.430
8	109.680	19.550	0.430
9	109.660	19.430	0.440
10	109.720	19.580	0.410
11	109.700	19.440	0.420
12	109.550	19.500	0.440
13	109.580	19.560	0.420
14	109.480	19.580	0.430
15	109.460	19.570	0.430
16	109.520	19.460	0.410
17	109.570	19.450	0.400
18	109.520	19.530	0.410
19	109.460	19.530	0.430
20	109.353	19.550	0.420
21	109.490	19.550	0.410
22	109.630	19.560	0.400
23	109.460	19.520	0.430
24	109.410	19.570	0.420
25	109.460	19.480	0.430
26	109.510	19.420	0.450
27	109.400	19.560	0.420
28	109.560	19.520	0.420
29	109.590	19.510	0.430
30	109.580	19.560	0.430
31	109.680	19.580	0.430
32	109.780	19.570	0.410
33	109.610	19.460	0.400
34	109.620	19.450	0.410
35	109.530	19.530	0.420

SUNONWEALTH ELECTRIC
MACHINE INDUSTRY CO., LTD.

建準電機工業股份有限公司

D.C.C.

2014.08.07

發行章

PAGE

6 OF 9

SPEC. NO.

C02003110F-00

ISSUED DATE

05. 05. 2014

EDITION

1

REVISION DATE

08. 07. 2014

3.FAI & CPK TEST

Quality comprehensive confirmation
DATA SHEET

Model: SM203-14001Y (PHI-CM_D99H110-CLL032)

No.	Item	Specification	avg	Standard deviation σ	max	min	Quantity	Process capability		Remarks
								cp	cpk	
1	The distance between copper sheet and tail end of heat pipe	108~111mm	109.555	0.113	109.850	109.353	35	4.419	4.256	
2	The distance between copper sheet and the edge of fins	19~20mm	19.516	0.049	19.580	19.420	35	3.405	3.296	
3	CPU thermal resistance	$\leq 0.47^{\circ}\text{C/W}$	0.422	0.013	0.450	0.400	35	5.989	1.216	

SUNONWEALTH ELECTRIC
MACHINE INDUSTRY CO., LTD.

建準電機工業股份有限公司

D.C.C.

2014.08.07

發行章

PAGE	7 OF 9
SPEC. NO.	C02003110F-00
ISSUED DATE	05. 05. 2014
EDITION	1
REVISION DATE	08. 07. 2014

Notes

I. SPECIFICATION MODIFICATION

1. SUNON offers engineering assistance on module installation and cooling system design.
2. All changes, modifications and/or revisions to the specifications, if any, are incorporated in the attached specifications.
3. No changes, modifications and/or revisions to these specifications are effective absent agreement, by both SUNON and the customer, in writing.
4. This module will be shipped in accordance with the attached specification unless SUNON and the customer have agreed otherwise, in writing, as specified in Paragraph 3, above.

II. OTHER

1. DO NOT operate this module in proximity to hazardous materials such as organic silicon, cyanogens, formalin, phenol, or corrosive gas environments including, but not limited to, H₂S, SO₂, NO₂, or Cl₂.
2. Unless otherwise noted, all testing of this module is conducted at 25°C ambient temperature and sixty-five percent (65%) relative humidity.
3. DO NOT store this module in an environment with high humidity. This module must be stored in accordance with the attached specifications regarding storage temperature. If this module is stored for more than 6 months, SUNON recommends functional testing before using.
4. SUNON reserves the right to use components from multiple sources at its discretion. The use of components from other sources will not affect the specifications as described herein.

III. WARRANTY

This module is warranted against all defects which are proved to be fault in our workmanship and material for one year from the date of our delivery. The sole responsibility under the warranty shall be limited to the repair of the module or the replacement thereof, at SUNON's sole discretion. SUNON will not be responsible for the failures of its module due to improper handling, misuse or the failure to follow specifications or instructions for use. In the event of warranty claim, the customer shall immediately notify SUNON for verification. SUNON will not be responsible for any consequential damage to the customer's equipment as a result of any module proven to be defective.

SUNONWEALTH ELECTRIC
MACHINE INDUSTRY CO., LTD.

建準電機工業股份有限公司

PAGE	8 OF 9
SPEC. NO.	C02003110F-00
ISSUED DATE	05. 05. 2014
EDITION	1
REVISION DATE	08. 07. 2014

D.C.C.

2014.08.07

發行章

Declaration of Restricted Materials

Control declaration of environment- related substances/ materials

1. In accordance with the Restriction of Hazardous Substances (RoHS) Directive 2011/65/EU and specific market requirements, SUNON Halogen-Free Product have complied with law and discipline not to employ the forbidden substances, and restrict the allowable concentration of some limited substances deliberately in our components.

No	Substance	Criteria	
1	CFCs & HCFCs (ozone depleting substances)	Forbidden	
2	Chlorinated Organic Solvent	Forbidden	
3	Lead and its compounds	Plastic (Frame, Impeller, wire harness, etc.)	<100ppm
		Solder	<1000ppm
		Steel alloy	<3500ppm
		Aluminium alloy	<4000ppm
		Copper alloy	<4wt%
4	Cadmium and its compounds	Solder	<20ppm
		Parts composed of metals containing zinc (e.g. brass, zinc for die casting)	<100ppm
		Plastic	<5ppm
5	PBBs and PBDEs	Forbidden	
6	PCB and PCT	Forbidden	
7	CP, Short-chain Chlorinated paraffins C10-13, Cl ≥48 wt%	Forbidden	
8	Mirex	Forbidden	
9	PCN	Forbidden	
10	Hexavalent Chromium compounds	<100ppm	
11	Mercury and its compounds	Forbidden	
12	Asbestos	Forbidden	
13	Organic Tin compounds	Forbidden	
14	Azo compounds	Forbidden	
15	TBBP-A in external case plastic parts of products (PCB is exempted)	<1000ppm	
16	Nickel in external case parts, which are likely to result in prolonged skin exposure	<1000ppm	
17	Hexabromocyclododecane (HBCDD)	<1000ppm	
18	Di-butyl Phthalate (DBP)	<1000ppm	
19	Benzyl butyl Phthalate (BBP)	<1000ppm	
20	Di-ethylhexyl Phthalate (DEHP)	<1000ppm	
21	Di-isobutyl Phthalate (DIBP)	<1000ppm	
22	Brominated/chlorinated flame retardants (other than PBBs or PBDEs), applicable item: frame, bobbin, impeller, lear wire, connector, mylar insulator.	Br<900ppm Cl<900ppm Br+Cl<1500ppm	
23	PAHs and its 16 compounds in unusual contact material	BaP < 20ppm Total <200ppm	
24	PCB and electroplating material, PFOS content complied with 2006/122/EC	PFOS ≤1000ppm; coating material PFOS ≤ 1μg/m ²	

SUNONWEALTH ELECTRIC
MACHINE INDUSTRY CO., LTD.

PAGE	9 OF 9
SPEC. NO.	C02003110F-00
ISSUED DATE	05. 05. 2014
EDITION	1
REVISION DATE	08. 07. 2014

建準電機工業股份有限公司

D.C.C.

2014.08.07

發行章

X-ON Electronics

Largest Supplier of Electrical and Electronic Components

Click to view similar products for [Thermal Interface Products](#) category:

Click to view products by [Sunon](#) manufacturer:

Other Similar products are found below :

[63072-2-4013](#) [64442-1-7612](#) [FGN80-2](#) [PFM-172-60](#) [95778-1-5171](#) [A-40](#) [ACDIN4001-01-S](#) [APA502-80-001](#) [188761F00000G](#) [95779-1-5171](#) [9601-7](#) [9614-2-4013](#) [189790F00000](#) [189951F00000G](#) [2103-4-7320](#) [CN9565-000](#) [31570-2-4013](#) [LZ24-1](#) [4103G](#) [450-20-0025](#) [5300AC](#) [1.500G](#) [53-77-13ACG](#) [450-20-0017](#) [4949G](#) [08121](#) [08133](#) [08151](#) [08188](#) [08196](#) [10637-4-1040](#) [54476-2-4013](#) [71883-2-4053](#) [188651F00000G](#) [64445-1-7612](#) [66786-4-7320](#) [TP0001](#) [4952G](#) [4860](#) [450-20-0148](#) [88601-2-2929](#) [SC80-W2](#) [09450-M45](#) [09362-M45](#) [V6516C](#) [A17713-05](#) [A17690-06](#) [A17690-10](#) [A17690-05](#) [A17690-03](#) [A17775-05](#)