

PRODUCT NUMBER
XXXXXX-XXXX-XXYYH1LF

LEAD FREE OPTION
(SEE NOTES 1)

PACKAGING OPTIONS
(SEE NOTE 1)

HIGH TEMPERATURE PLASTIC
(SEE NOTE 1)

NO OF
POSITIONS
(SEE NOTE 1)

PIN PLATING
(SEE SHEET 2)

BASE PART NO.
68000-X-XX-XXX-XXX LF

TAIL LENGTH (EXAMPLE BELOW)
3.0mm=030 12.8mm=128 (SEE NOTE 15 & 16)

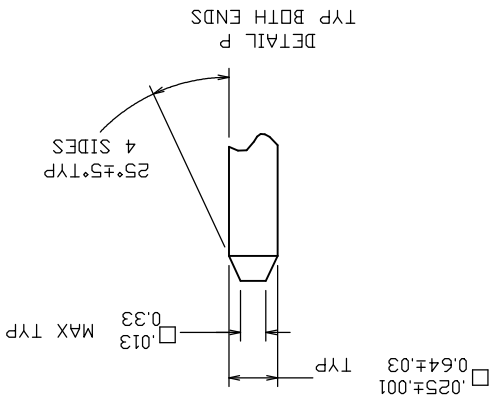
MATING LENGTH (EXAMPLE BELOW)
5.0mm=050 25.5mm=255 (SEE NOTE 15 & 16)

TOTAL NUMBER OF POSITION
FROM 1 THRU 36 POS. (SEE NOTE 1)

PIN PLATING (SEE NOTE 13)
1=0.76µm Au
4= PURE TIN
8=0.36µm Au

BASE PART NO.

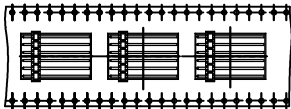
⊕ ⌀.020/.51
Ⓜ Ⓟ Ⓠ Ⓡ



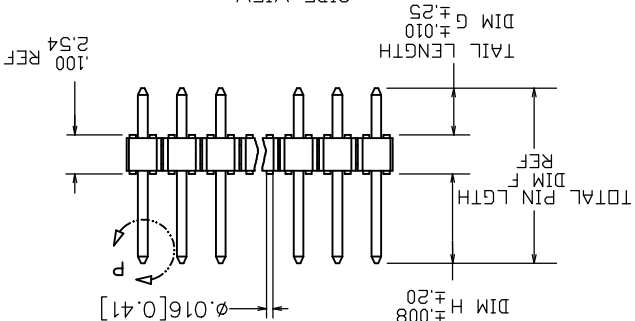
NOTE 4

ONLY FOR 68000-406160035ALF

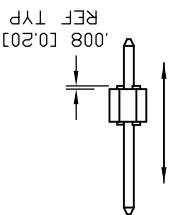
PACKAGE:



SIDE VIEW

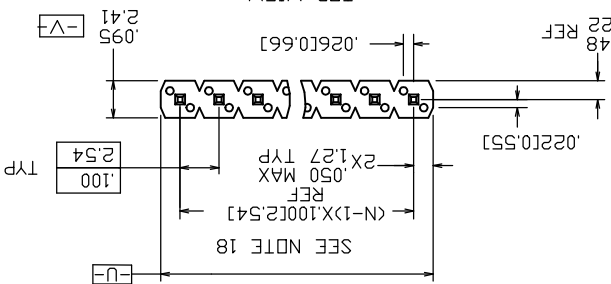


END VIEW

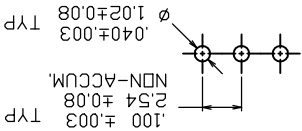


NOTE 6

TOP VIEW



RECOMMENDED HOLE PATTERN



| | | | | | | | | | |
|----------------|--------------|------|---------------------------------------|-----------|-------------------|------------|----------------|--------------------------|-------------------------|
| mat'l code | NOTES 2 & 3 | date | ISO 1302 | tolerance | ISO 406 | projection | product family | BERGSTIK | |
| tr | ecn no | dr | tolerances unless otherwise specified | | | | title | BERGSTIK II HEADER | .100/2.54cc SR STRAIGHT |
| CY | ELX-N-011895 | JZ | 2012-06-12 | angles | xxxx01/xx.3 | INCH/MM | scale 1:1 | 100/2.54cc SR STRAIGHT | |
| DA | ELX-N-16105 | ZK | 2013-10-22 | linear | xxxx0006/xxx.15 | | | | |
| DB | ELX-N-17329 | ZK | 2014-03-27 | 0±.2 | xxxxx0002/xxx.005 | | | | |
| DC | ELX-N-28578 | MZ | 2017-11-23 | dr | T.BREWBAKER | 01/05/95 | dwg no | 68000 | |
| | | | | engr | THANNA | 01/05/95 | sheet 1 of 8 | A3 | |
| | | | | chr | JMURPHY | 01/05/95 | type | Product Customer Drawing | |
| | | | | appd | THANNA | 01/05/95 | | | |
| sheet revision | DC | DC | DC | DC | DC | DC | DC | DC | |
| index sheet | 1 | 2 | 3 | 4 | 5 | 6 | 7 | 8 | |

| PIN PLATING CODES: | |
|--------------------|---|
| XXXXX-1YY | 30u"/0.76u MIN (SEE NOTE 13) OVER 50u"/1.27u MIN NI |
| XXXXX-2YY | 15u"/0.38u MIN (SEE NOTE 13) OVER 50u"/1.27u MIN NI |
| XXXXX-3YY | 50u"/1.27u MIN (SEE NOTE 13) OVER 50u"/1.27u MIN NI |
| XXXXX-4YY | 100u"/2.54u MIN Sn OVER 50u"/1.27u MIN NI (SEE NOTE 14) |
| XXXXX-4YYHLF | 15u"/0.38u MIN (SEE NOTE 13) OVER 50u"/1.27u MIN NI |
| XXXXX-5YY | 15u"/0.38u MIN (SEE NOTE 13) OVER 50u"/1.27u MIN NI |
| XXXXX-6YY | 30u"/0.76u MIN (SEE NOTE 13) OVER 50u"/1.27u MIN NI |
| XXXXX-7YY | 30u"/0.76u MIN (SEE NOTE 13) OVER 50u"/1.27u MIN NI |
| XXXXX-8YY | 15u"/0.38u MIN (SEE NOTE 13) OVER 50u"/1.27u MIN NI |
| XXXXX-9YY | 15u"/0.38u MIN (SEE NOTE 13) OVER 50u"/1.27u MIN NI |
| XXXXX-0YY | 30u"/0.76u MIN (SEE NOTE 13) OVER 50u"/1.27u MIN NI |

NOTES

1. PART NUMBER OPTIONS:

PIN PLATING CODES (SEE ABOVE)

PART NUMBERS WITH AND WITHOUT "H" WILL BE SUPPLIED WITH HIGH TEMPERATURE PLASTIC

ANY NUMBER OF POSITIONS FROM 1 THRU 36. -X00H INDICATES BERGSTRIIP PRODUCT. SEE PAGE 3 FOR SPECIAL GEOMETRY OF THIS CONTINUOUS STRIP PRODUCT. AUTOMATED REELS WILL CONTAIN 36,000 PINS.

SEE SPECIFIC PART NUMBERS FOR AVAILABILITY.

PACKAGING :

NO INDICATOR IS STANDARD PACKAGING IN POLY BAGS.

EIGHT DIGIT PART NUMBERS FOLLOWED BY A "T" ARE PACKAGED IN TUBES. SEE SPECIFIC PART NUMBERS FOR AVAILABILITY.

EIGHT DIGIT PART NUMBERS FOLLOWED BY A "C" ARE PACKAGED IN TUBES WITH PICKUP CAP APPLIED. (NOT TIDLED)

BERGSTRIIP PART NUMBERS FOLLOWED BY "A" OR "B" ARE BULK PRICED. EIGHT DIGIT PART NUMBERS FOLLOWED BY A "A" ARE PACKAGED IN TAPE AND REEL WITH PICKUP CAP APPLIED.

LEAD FREE :

ADD "LF" SUFFIX AT THE END OF PART NUMBER FOR LEAD FREE BODY MATERIAL :

BERGSTRIIP: MANUFACTURER'S OPTION OF NYLON, PCT GLASS FIBER REINFORCED, OR LCP MINERAL FILLED FLAME RETARDENT PER UL-94V-0.

COLOR : BLACK

BERGSTRIIP : REDUCED WITH HIGH TEMPERATURE LCP FLAME RETARDENT PER UL-94V-0.

THEMOPLASTIC FLAME RETARDENT PER UL-94V-0.

COLOR : BLACK

PART NUMBERS WITH AND WITHOUT "H" SUFFIX WILL WITHSTAND EXPOSURE TO 260°C PEAK TEMPERATURE FOR 20 SECONDS IN WAVE SOLDER, INFRA-RED OR VAPOR PHASE SOLDER PROCESS.

Copyright FCI.



| | | | | | | | | | | | |
|--------------------|--|---------------------------------------|--|------------------------|--|---------------------------------------|--|------------|--|----------|--|
| www.fciconnect.com | | TOLERANCES UNLESS OTHERWISE SPECIFIED | | ISD 1302 | | ISD 406 ISD 110 | | projection | | INCH/MM | |
| Surface | | ANGULAR | | LINEAR | | TOLERANCES UNLESS OTHERWISE SPECIFIED | | size | | Scale | |
| Dr | | T.BREWBAKER | | 01/05/95 | | 0X | | ±0.3 | | A4 | |
| Eng | | THANNA | | 01/05/95 | | 0XX | | ±0.15 | | 1.000 | |
| Cmr | | J.MURPHY | | 01/05/95 | | 0XXX | | ±0.05 | | ECN | |
| Appr | | THANNA | | 01/05/95 | | Product family | | BERGSTRIIP | | Spec ref | |
| Title | | BERGSTRIIP II HEADER | | 100/2.54cc SR STRAIGHT | | ding no | | 68000 | | Rev. DC | |
| Catalog no | | CUSTOMER | | sheet 2 of 8 | | | | | | | |

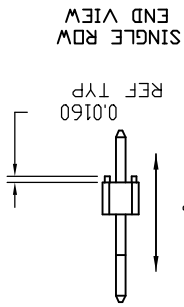
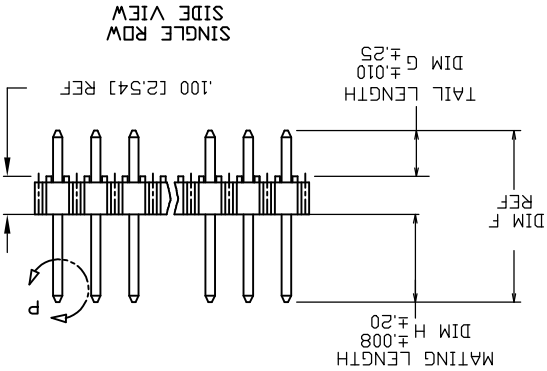
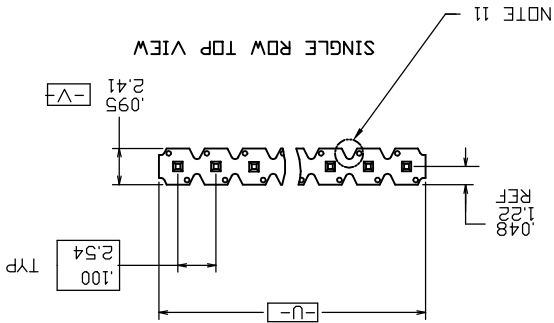
- PIN MATERIAL : PHOS-BRONZE.
- MEASURED WITH PART IN RESTRAINED CONDITION.
- TWO SIDES OF PIN TIPS NOT PLATED. TYPICAL BOTH ENDS.
- 2LBS/0.9KG MIN PIN RETENTION IN EITHER DIRECTION.
- PIN CANNOT PROTRUDE PAST EDGE OF HOUSING. MUST BE 0.05±.005/13±.13 FROM END OF HOUSING HOLE.
- MILITARY BERGSTRIIP HEADER P/N XXXXX-XY-MIL.
- NOT AVAILABLE.
- ±0.10/0.25 TOL APPLIES TO ALL "G" TAILS EXCEPT INDICATED PARTS ON TABLE WHERE +0.10/0.25 - .000/0.00 APPLIES.
- INDICATED PART NUMBERS ARE PRODUCED AND SOLD IN THE TAIWAN/SINGAPORE AREAS. THESE ARE NOT AVAILABLE IN BERGSTRIIP CONTINUOUS STRIP.
- NOTCH CONFIGURATION WILL VARY PER VENDOR'S DISCRETION.
- THESE PRODUCTS MEETS EUROPEAN UNION DIRECTIVES AND OTHER COUNTRY REGULATION AS DESCRIBED IN GS-22-008.
- PLATING OPTIONS:
- PERFORMANCE PLATING WILL BE EITHER GOLD OR GXT ON POST OR TAIL. OPTIONALLY (78~295u"/2~7.5u) TIN ON TAIL.
- THIS PRODUCT HAS 100% TIN PLATING IN THE INTERFACE AND HAS NOT BEEN TESTED FOR WHISKER GROWTH IN ALL INTERCONNECT ENVIRONMENTS.
- THE DAL DON'T EXCEED 34.5mm
- INCREMENTS BY 0.1mm IN LENGTHS ONLY
- FOR SPECIAL PACKAGING REQUEST PLEASE CONTACT PRODUCT MANAGER FOR AVAILABILITY
- TO DETERMINE DIMENSIONS:
- N=NUMBER OF POSITION PER ROW
EXAMPLE: 10 POS. N X .100/2.54
- 68000-406160035ALF IS SPECIAL PART NUMBER, IT IS 6PIN, MATING LENGTH IS 16mm. TAIL LENGTH IS 3.5mm. AND PACKAGE IS TAPE AND REEL AND NO CAP.

A B C D



| | | | | | | | |
|--------------------|--------------------|---------------------------------------|-----------------|------------|--------------|----------------|----------|
| www.fciconnect.com | | TOLERANCES UNLESS OTHERWISE SPECIFIED | | projection | | INCH/MM | |
| surface | ISD 1302 | tolerance std | ISD 406 ISD 110 | size | A4 | Scale | 1.000 |
| Dr | T.BREWBAKER | 01/05/95 | ANGULAR | 0X | ±0.3 | ECN | |
| Eng | T.HANNA | 01/05/95 | LINEAR | 0XX | ±0.15 | Product family | BERGSTIK |
| Chg | J.MURPHY | 01/05/95 | ° | ±2° | 0XXX | Spec ref | |
| Appr | T.HANNA | 01/05/95 | Product family | BERGSTIK | CUSTOMER | Rev. | DC |
| title | BERGSTIK II HEADER | 100/2.54cc SR STRAIGHT | catalog no | 68000 | sheet 3 of 8 | | |

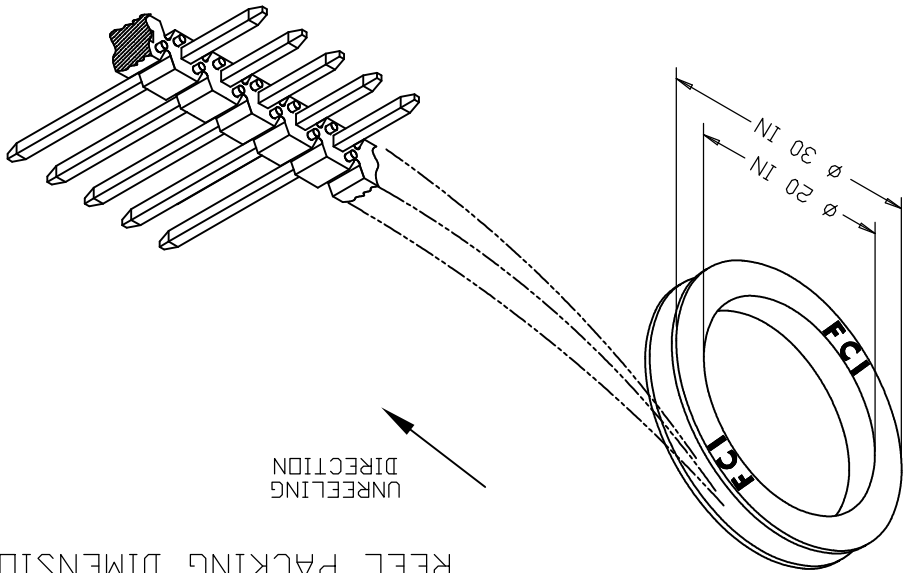
BERGSTRIPE™ HEADER



NOTE 6

REEL PACKING DIMENSIONS

UNREELING DIRECTION





| PRODUCT NUMBER | TOTAL PIN LGTH | ENGLISH | METRIC | ENGLISH | METRIC | ENGLISH | METRIC | TAIL LENGTH | DIM F | DIM G | DIM H | DIM H | DIM H | MATING LENGTH |
|----------------|----------------|---------|--------|---------|--------|---------|--------|-----------------|-------|-------|-------|-------|-------|---------------|
| | DIM F | DIM F | METRIC | ENGLISH | METRIC | ENGLISH | METRIC | DIM G | DIM G | DIM H | DIM H | DIM H | | |
| 55492-KYY1 | 8.00 | 0.315 | 8.00 | 0.095 | 2.41 | 0.120 | 3.05 | POLY BAGS | NO | DB | | | | |
| 60017-KYY11 | 15.75 | 0.620 | 15.75 | 0.210 | 5.53 | 0.310 | 7.87 | POLY BAGS | NO | DB | | | | |
| 60018-KYY11 | 16.76 | 0.660 | 16.76 | 0.250 | 6.55 | 0.310 | 7.87 | POLY BAGS | NO | DB | | | | |
| 63334-KYY11 | 11.05 | 0.435 | 11.05 | 0.095 | 2.41 | 0.240 | 6.10 | POLY BAGS | NO | DB | | | | |
| 68000-KYY1 | 10.80 | 0.425 | 10.80 | 0.095 | 2.41 | 0.230 | 5.84 | POLY BAGS | YES | | | | | NOTE 1,12 |
| 68001-KYY1 | 11.43 | 0.450 | 11.43 | 0.120 | 3.05 | 0.230 | 5.84 | POLY BAGS/TUBES | YES | | | | | |
| 68002-KYY1 | 12.19 | 0.480 | 12.19 | 0.150 | 3.81 | 0.230 | 5.84 | POLY BAGS | YES | | | | | |
| 68003-KYY1 | 13.54 | 0.525 | 13.54 | 0.195 | 4.95 | 0.230 | 5.84 | POLY BAGS | NO | DB | | | | |
| 68004-KYY1 | 13.34 | 0.525 | 13.34 | 0.107 | 2.72 | 0.318 | 8.08 | POLY BAGS | YES | | | | | |
| 68024-KYY1 | 14.43 | 0.568 | 14.43 | 0.150 | 3.81 | 0.318 | 8.08 | POLY BAGS | YES | | | | | |
| 68031-KYY1 | 13.03 | 0.513 | 13.03 | 0.183 | 4.65 | 0.230 | 5.84 | POLY BAGS | NO | DB | | | | |
| 68032-KYY1 | 13.79 | 0.543 | 13.79 | 0.213 | 5.41 | 0.230 | 5.84 | POLY BAGS | NO | DB | | | | |
| 68033-KYY1 | 17.98 | 0.708 | 17.98 | 0.473 | 12.01 | 0.135 | 3.43 | POLY BAGS | NO | | | | | |
| 68415-KYY1 | 15.62 | 0.615 | 15.62 | 0.115 | 2.92 | 0.400 | 10.16 | POLY BAGS | NO | | | | | |
| 68416-KYY1 | 20.65 | 0.813 | 20.65 | 0.483 | 12.27 | 0.230 | 5.84 | POLY BAGS | NO | | | | | |
| 68418-KYY1 | 18.54 | 0.730 | 18.54 | 0.400 | 10.16 | 0.230 | 5.84 | POLY BAGS | NO | | | | | |
| 68422-KYY1 | 16.03 | 0.631 | 16.03 | 0.213 | 5.41 | 0.318 | 8.08 | POLY BAGS | NO | DB | | | | |
| 68443-KYY1 | 19.18 | 0.755 | 19.18 | 0.425 | 10.80 | 0.230 | 5.84 | POLY BAGS | NO | DB | | | | |
| 68456-KYY1 | 20.96 | 0.825 | 20.96 | 0.115 | 2.92 | 0.610 | 15.49 | POLY BAGS | NO | DB | | | | |
| 68457-KYY1 | 13.92 | 0.548 | 13.92 | 0.130 | 3.30 | 0.318 | 8.08 | POLY BAGS | NO | DB | | | | |
| 68465-KYY1 | 23.50 | 0.925 | 23.50 | 0.595 | 15.11 | 0.230 | 5.84 | POLY BAGS | NO | DB | | | | |
| 68466-KYY1 | 23.50 | 0.925 | 23.50 | 0.128 | 3.25 | 0.697 | 17.70 | POLY BAGS | NO | DB | | | | |
| 68472-KYY1 | 23.19 | 0.913 | 23.19 | 0.413 | 10.49 | 0.400 | 10.16 | POLY BAGS | NO | DB | | | | |
| 68479-KYY1 | 18.24 | 0.718 | 18.24 | 0.388 | 9.86 | 0.230 | 5.84 | POLY BAGS | NO | DB | | | | |
| 68483-KYY1 | 21.21 | 0.835 | 21.21 | 0.417 | 10.59 | 0.318 | 8.08 | POLY BAGS | NO | DB | | | | |
| 68487-KYY1 | 17.91 | 0.705 | 17.91 | 0.110 | 2.79 | 0.495 | 12.57 | POLY BAGS | NO | DB | | | | |
| 68489-KYY1 | 27.81 | 1.095 | 27.81 | 0.765 | 19.43 | 0.230 | 5.84 | POLY BAGS | NO | DB | | | | |
| 68490-KYY1 | 26.04 | 1.025 | 26.04 | 0.695 | 17.65 | 0.230 | 5.84 | POLY BAGS | NO | DB | | | | |
| 68497-KYY1 | 15.54 | 0.612 | 15.54 | 0.085 | 2.16 | 0.427 | 10.85 | POLY BAGS | NO | | | | | |
| 68603-KYY1 | 14.10 | 0.555 | 14.10 | 0.120 | 3.05 | 0.335 | 8.51 | POLY BAGS | NO | | | | | |
| 68604-KYY1 | 15.24 | 0.600 | 15.24 | 0.120 | 3.05 | 0.380 | 9.65 | POLY BAGS | NO | | | | | |

www.fciconnect.com

surface ISD 1302
tolerance ISD 406 ISD 110
projection

tolerances unless otherwise specified

DR T.BREWBAKER 01/05/95
Eng THANNA 01/05/95
Chr JMURPHY 01/05/95
Appr THANNA 01/05/95

| | | | |
|----------------|----------------|----------------|----------------|
| Product family | Product family | Product family | Product family |
| ANGULAR | ANGULAR | ANGULAR | ANGULAR |
| LINEAR | LINEAR | LINEAR | LINEAR |
| ±.02 | ±.02 | ±.02 | ±.02 |
| ±.02 | ±.02 | ±.02 | ±.02 |
| ±.05 | ±.05 | ±.05 | ±.05 |
| ±.05 | ±.05 | ±.05 | ±.05 |
| ±.05 | ±.05 | ±.05 | ±.05 |
| ±.05 | ±.05 | ±.05 | ±.05 |

Spec ref ECN A4 Scale 1.000

ding no 68000

Rev. DC

customer

sheet 4 of 8



| PRODUCT NUMBER | TOTAL PIN LGTH | ENGLISH METRIC | ENGLISH METRIC | ENGLISH METRIC | MATING LENGTH | DIM G | DIM G | DIM H | DIM H | BERGSTRIIP™ | OPTION |
|----------------|----------------|----------------|----------------|----------------|---------------|-------|-------|-----------|-------|-------------|-----------|
| 68629-XXX | 15.77 | 0.203 | 5.16 | 0.318 | 8.08 | NO | OB | POLY BAGS | | | |
| 68630-XXX | 15.32 | 0.273 | 6.93 | 0.230 | 5.84 | NO | OB | POLY BAGS | | | |
| 68631-XXX | 17.86 | 0.203 | 5.16 | 0.400 | 10.16 | NO | OB | POLY BAGS | | | |
| 68632-XXX | 18.87 | 0.413 | 10.49 | 0.230 | 5.84 | NO | OB | POLY BAGS | | | |
| 68633-XXX | 16.33 | 0.225 | 5.72 | 0.318 | 8.08 | NO | OB | POLY BAGS | | | NOTE 1,12 |
| 68634-XXX | 25.73 | 0.683 | 17.35 | 0.230 | 5.84 | NO | OB | POLY BAGS | | | |
| 68642-XXX | 23.19 | 0.583 | 14.81 | 0.230 | 5.84 | NO | OB | POLY BAGS | | | |
| 68652-XXX | 37.34 | 0.670 | 17.02 | 0.700 | 17.78 | NO | OB | POLY BAGS | | | |
| 68653-XXX | 18.67 | 0.095 | 2.41 | 0.540 | 13.72 | NO | OB | POLY BAGS | | | |
| 68654-XXX | 26.67 | 0.670 | 17.02 | 0.280 | 7.11 | NO | OB | POLY BAGS | | | |
| 68655-XXX | 17.98 | 0.290 | 7.37 | 0.318 | 8.08 | NO | OB | POLY BAGS | | | |
| 68656-XXX | 28.27 | 0.613 | 15.57 | 0.400 | 10.16 | NO | OB | POLY BAGS | | | |
| 68657-XXX | 14.94 | 0.368 | 9.35 | 0.120 | 3.05 | NO | OB | POLY BAGS | | | |
| 68658-XXX | 20.83 | 0.130 | 3.30 | 0.590 | 14.99 | NO | OB | POLY BAGS | | | |
| 68659-XXX | 15.44 | 0.398 | 10.11 | 0.110 | 2.79 | NO | OB | POLY BAGS | | | |
| 68686-XXX | 25.81 | 0.458 | 11.63 | 0.458 | 11.63 | NO | OB | POLY BAGS | | | |
| 68689-XXX | 23.19 | 0.213 | 5.41 | 0.600 | 15.24 | NO | OB | POLY BAGS | | | |
| 68705-XXX | 10.03 | 0.095 | 2.41 | 0.200 | 5.08 | NO | OB | POLY BAGS | | | |
| 68717-XXX | 15.62 | 0.285 | 7.24 | 0.230 | 5.84 | NO | OB | POLY BAGS | | | |
| 68730-XXX | 14.10 | 0.225 | 5.72 | 0.230 | 5.84 | NO | OB | POLY BAGS | | | |
| 68731-XXX | 22.35 | 0.440 | 11.18 | 0.340 | 8.64 | NO | OB | POLY BAGS | | | |
| 68735-XXX | 25.81 | 0.520 | 13.21 | 0.396 | 10.06 | NO | OB | POLY BAGS | | | |
| 68755-XXX | 29.62 | 0.533 | 13.54 | 0.533 | 13.54 | NO | OB | POLY BAGS | | | |
| 68760-XXX | 20.40 | 0.353 | 8.97 | 0.350 | 8.89 | NO | OB | POLY BAGS | | | |
| 68762-XXX | 14.94 | 0.213 | 5.41 | 0.275 | 6.99 | NO | OB | POLY BAGS | | | |
| 68771-XXX | 11.94 | 0.100 | 2.54 | 0.270 | 6.86 | NO | OB | POLY BAGS | | | |
| 68781-XXX | 17.55 | 0.273 | 6.93 | 0.318 | 8.08 | NO | OB | POLY BAGS | | | NOTE 1,12 |

www.fciconnect.com

surface ISD 1302 ✓ tolerance std ISD 406 ISD 110

tolerance std 0X ±0.3 size A4 Scale 1.000

tolerances unless otherwise specified

| | | |
|------|-------------|----------|
| Dr | T.BREWBAKER | 01/05/95 |
| Eng | T.HANNA | 01/05/95 |
| Chr | J.MURPHY | 01/05/95 |
| Appr | T.HANNA | 01/05/95 |

ANGULAR

LINEAR

Product family BERGSTIK

Product family BERGSTIK

Spec ref

Rev. DC

title BERGSTIK II HEADER

title 100/254cc SR STRAIGHT

dwg no 68000

catalog no

CUSTOMER

sheet 5 of 8

D

C

B

A

4

3

2

1

REV F - 206-14-17



STATUS:Released

3

Printed: Dec 14, 2017

2

PDS: Rev: DC

4

3

2

1



| PRODUCT NUMBER | TOTAL PIN LGTH | ENGLISH METRIC | ENGLISH METRIC | ENGLISH METRIC | MATING LENGTH | TAIL LENGTH | DIM G | DIM G | DIM H | DIM H | DIM G | DIM H | BERGSTRIPTM | OPTION |
|----------------|----------------|----------------|----------------|----------------|---------------|-------------|-----------------|---------|-------|-------|-------|-------|-------------|--------|
| 68795-XXX | 12.70 | 0.500 | -0.062 | -1.57 | -0.338 | -8.59 | POLY BAGS | NO | NO | NO | NO | NO | NO | NO |
| 68796-XXX | 16.08 | 0.633 | -0.423 | -10.74 | -0.110 | -2.79 | POLY BAGS | NO | NO | NO | NO | NO | NO | NO |
| 68797-XXX | 10.43 | 0.413 | 10.49 | 0.213 | 5.41 | 0.100 | POLY BAGS | NO | NO | NO | NO | NO | NO | NO |
| 69148-XXX | 11.43 | 0.442 | -11.43 | -0.000 | -0.000 | -8.89 | POLY BAGS | NO | NO | NO | NO | NO | NO | NO |
| 69152-XXX | 18.29 | 0.720 | -18.29 | -0.120 | -3.05 | -0.500 | POLY BAGS/TUBES | NO | NO | NO | NO | NO | NO | NO |
| 69173-XXX | 13.46 | 0.530 | 13.46 | 0.135 | 3.43 | 0.295 | POLY BAGS | NO | NO | NO | NO | NO | NO | NO |
| 69188-XXX | 19.08 | 0.751 | 19.08 | 0.333 | 8.46 | 0.318 | POLY BAGS | NO | NO | NO | NO | NO | NO | NO |
| 69751-XXX | 11.18 | 0.440 | -11.18 | -0.170 | -4.32 | -0.170 | POLY BAGS | NOTE 10 | NO | NO | NO | NO | NO | NO |
| 71417-XXX | 16.87 | 0.664 | -16.87 | -0.115 | -2.92 | -0.449 | POLY BAGS | NOTE 10 | NO | NO | NO | NO | NO | NO |
| 72260-XXX | 23.62 | 0.930 | -23.62 | -0.090 | -2.29 | -0.740 | POLY BAGS | NO | NO | NO | NO | NO | NO | NO |
| 72323-XXX | 30.48 | 1.200 | -30.48 | -0.100 | -2.54 | -1.000 | POLY BAGS | NO | NO | NO | NO | NO | NO | NO |
| 72457-XXX | 1.100 | 1.100 | -27.94 | -0.090 | -2.29 | -0.910 | POLY BAGS | NO | NO | NO | NO | NO | NO | NO |
| 73698-XXX | 1.100 | 1.100 | 27.94 | 0.120 | 3.05 | 0.880 | POLY BAGS | NO | NO | NO | NO | NO | NO | NO |
| 74464-XXX | 1.028 | 1.028 | -26.11 | -0.610 | -15.49 | -0.318 | POLY BAGS | NO | NO | NO | NO | NO | NO | NO |
| 78240-XXX | 0.663 | 0.663 | -16.84 | -0.333 | -8.46 | -0.230 | POLY BAGS | NO | NO | NO | NO | NO | NO | NO |
| 78287-XXX | 0.678 | 0.678 | -17.22 | -0.120 | -3.05 | -0.458 | POLY BAGS | NO | NO | NO | NO | NO | NO | NO |
| 78290-XXX | 1.250 | 1.250 | 31.75 | 0.500 | 12.70 | 0.650 | POLY BAGS | NO | NO | NO | NO | NO | NO | NO |
| 78511-XXX | 0.538 | 0.538 | 13.67 | 0.120 | 3.05 | 0.318 | POLY BAGS/TUBES | YES | NO | NO | NO | NO | NO | NO |
| 78595-XXX | | | | | | | NOT AVAILABLE | | | | | | | |
| 78931-XXX | | | | | | | NOT AVAILABLE | | | | | | | |
| 78958-XXX | | | | | | | NOT AVAILABLE | | | | | | | |
| 78959-XXX | | | | | | | NOT AVAILABLE | | | | | | | |
| 78977-XXX | | | | | | | NOT AVAILABLE | | | | | | | |
| 78998-XXX | 0.430 | 0.430 | 10.92 | 0.155 | 3.94 | 0.175 | POLY BAGS | NO | NO | NO | NO | NO | NO | NO |
| 78999-XXX | | | | | | | NOT AVAILABLE | | | | | | | |
| 79428-XXX | 0.695 | 0.695 | -17.65 | -0.120 | -3.05 | -0.475 | POLY BAGS | NO | NO | NO | NO | NO | NO | NO |
| 79849-XXX | 0.620 | 0.620 | -15.75 | -0.120 | -3.05 | -0.400 | POLY BAGS | NO | NO | NO | NO | NO | NO | NO |

NOTE 1,12

| | | | | | |
|--------------------|--------------|-----------------------|----------------|--------------------------------------|----------|
| www.fciconnect.com | | SURFACE ISD 1302 | | TOLERANCE UNLESS OTHERWISE SPECIFIED | |
| Dr | T.BREVWBAKER | 01/05/95 | ANGULAR | 0X | ±0.3 |
| Eng | T.HANNA | 01/05/95 | LINEAR | 0XX | ±0.15 |
| Chg | J.MURPHY | 01/05/95 | | 0XXX | ±0.05 |
| Appr | T.HANNA | 01/05/95 | Product family | BERGSTIK | Spec ref |
| title | | BERGSTIK II HEADER | | dwg no | |
| catalog no | | 100/254cc SR STRAIGHT | | 68000 | |
| CUSTOMER | | sheet 6 of 8 | | Rev. DC | |

A B C D

1 2 3 4



| | | | | | | | | | | | |
|--------------------|-------------|---------------------------------------|-----------------------|----------|-------|-----------------|----|------------|--------------|---------|--|
| www.fciconnect.com | | TOLERANCES UNLESS OTHERWISE SPECIFIED | | ISD 1302 | | ISD 406 ISD 110 | | projection | | INCH/MM | |
| Dr | T.BREWBAKER | 01/05/95 | ANGULAR | 0X | ±0.3 | size | A4 | Scale | 1.000 | ECN | |
| Eng | T.HANNA | 01/05/95 | LINEAR | 0XX | ±0.15 | | | | | | |
| Chg | J.MURPHY | 01/05/95 | | 0XXX | ±0.05 | | | | | | |
| Appr | T.HANNA | 01/05/95 | Product family | BERGSTIK | | Spec ref | | | | Rev. DC | |
| title | | | BERGSTIK II HEADER | | | ding no | | | 68000 | | |
| catalog no | | | 100/254cc SR STRAIGHT | | | CUSTOMER | | | sheet 7 of 8 | | |

| PRODUCT NUMBER | TOTAL PIN LGTH | ENGLISH METRIC | ENGLISH METRIC | ENGLISH METRIC | DIM F | DIM F | DIM G | DIM G | DIM H | DIM H | MATING LENGTH | BERGSTRIIP™ | LF |
|----------------|----------------|----------------|----------------|----------------|-------|--------|---------|-------|-------|-------|---------------|-------------|-----------|
| 84918-XXXH | 8.64 | 0.120 | 3.05 | 0.120 | 3.05 | YES | | | | | | | |
| 84921-XXXH | 9.40 | 0.150 | 3.81 | 0.120 | 3.05 | YES | | | | | | | |
| 86506-XXX | 11.18 | 0.120 | 3.05 | 0.220 | 5.59 | YES | | | | | | | |
| 86579-XXX | 11.43 | 0.120 | 3.05 | 0.230 | 5.84 | NOTE 9 | | | | | | | |
| 86634-XXX | NOT AVAILABLE | | | | | | | | | | | | NOTE 1,12 |
| 86635-XXX | NOT AVAILABLE | | | | | | | | | | | | |
| 86636-XXX | NOT AVAILABLE | | | | | | | | | | | | |
| 86637-XXX | NOT AVAILABLE | | | | | | | | | | | | |
| 86638-XXX | NOT AVAILABLE | | | | | | | | | | | | |
| 86793-XXX | 0.900 | 22.86 | 0.100 | 2.54 | 0.700 | 17.78 | NOTE 10 | | | | | | |
| 86899-XXX | 1.020 | 25.91 | 0.120 | 3.05 | 0.800 | 20.32 | | | | | | | |
| 87185-XXX | 1.238 | 31.45 | 0.095 | 2.41 | 1.043 | 26.49 | NOTE 10 | | | | | | |
| 87204-XXX | 0.895 | 22.73 | 0.120 | 3.05 | 0.675 | 17.15 | | | | | | | |
| 87241-XXX | 1.000 | 25.40 | 0.120 | 3.05 | 0.780 | 19.81 | | | | | | | |
| 87502-XXXH | 1.130 | 28.70 | 0.110 | 2.79 | 0.920 | 23.37 | | | | | | | |
| 87827-XXX | 0.380 | 9.65 | 0.120 | 3.05 | 0.160 | 4.06 | | | | | | | |
| 87916-XXX | 1.058 | 26.87 | 0.128 | 3.25 | 0.830 | 21.08 | | | | | | | |
| 88005-XXX | 0.536 | 13.61 | 0.095 | 2.41 | 0.341 | 8.66 | NOTE 10 | | | | | | |
| 88706-XXX | 0.900 | 22.86 | 0.100 | 2.54 | 0.700 | 17.78 | | | | | | | |
| 89232-XXX | 0.325 | 8.26 | 0.000 | 0.00 | 0.230 | 5.84 | NOTE 7 | | | | | | |

D

C

B

A



| PRODUCT NUMBER | TOTAL PIN LGTH | ENGLISH METRIC | ENGLISH METRIC | ENGLISH METRIC | MATING LENGTH | TAIL LENGTH | DIM G | DIM G | DIM H | DIM H | DIM G | MATING LENGTH | BERGSTRIPTM | OPTION |
|----------------|----------------|----------------|----------------|----------------|---------------|-------------|---------------------|---------|-------|-------|-------|---------------|-------------|--------|
| 90522-XYX | 0.668 | 16.97 | 0.135 | 3.43 | 0.433 | 11.00 | POLY BAGS | NOTE 10 | NO | OB | | | | |
| 90547-XYX | 0.508 | 12.90 | 0.095 | 2.41 | 0.313 | 7.95 | POLY BAGS | NOTE 10 | NO | OB | | | | |
| 90719-XYX | 0.384 | 9.75 | 0.106 | 2.69 | 0.178 | 4.52 | POLY BAGS | - | NO | OB | | | | |
| 90726-XYX | 0.440 | 11.18 | 0.110 | 2.79 | 0.230 | 5.84 | POLY BAGS | - | YES | OB | | | | |
| 91276-XYX | 1.225 | 31.12 | 0.225 | 5.72 | 0.900 | 22.86 | POLY BAGS | - | NO | OB | | | | |
| 92020-XYX | 0.372 | 9.45 | 0.094 | 2.39 | 0.178 | 4.52 | POLY BAGS | - | NO | OB | | | | |
| 92418-XYX | 0.572 | 14.53 | 0.118 | 3.00 | 0.354 | 8.99 | POLY BAGS | - | NO | OB | | | | |
| 93167-XYX | 0.394 | 10.01 | 0.059 | 1.50 | 0.235 | 5.97 | POLY BAGS | - | NO | OB | | | | |
| 93287-XYXH | 0.585 | 14.86 | 0.085 | 2.16 | 0.400 | 10.16 | POLY BAGS | - | NO | OB | | | | |
| 93944-XYX | 0.941 | 23.90 | 0.130 | 3.30 | 0.711 | 18.06 | POLY BAGS | - | NO | OB | | | | |
| 93992-XYXH | 0.415 | 10.54 | 0.085 | 2.16 | 0.230 | 5.84 | POLY BAGS | - | NO | OB | | | | |
| 94063-XYX | 0.376 | 9.55 | 0.138 | 3.51 | 0.138 | 3.51 | POLY BAGS | NOTE 10 | NO | OB | | | | |
| 94094-XYX | 0.592 | 15.04 | 0.314 | 7.98 | 0.178 | 4.52 | POLY BAGS | - | NO | OB | | | | |
| 94544-XYX | 0.550 | 13.97 | 0.130 | 3.30 | 0.330 | 8.38 | POLY BAGS | NOTE 10 | NO | OB | | | | |
| 94611-XYXH | 0.320 | 8.13 | 0.095 | 2.41 | 0.125 | 3.18 | POLY BAGS | - | NO | OB | | | | |
| 95017-XYXH | 0.560 | 14.22 | 0.060 | 1.52 | 0.400 | 10.16 | POLY BAGS | - | NO | OB | | | | |
| 95103-XYX | 1.064 | 27.03 | 0.433 | 11.00 | 0.531 | 13.49 | POLY BAGS | NOTE 10 | NO | OB | | | | |
| 95104-XYX | 0.370 | 9.40 | 0.126 | 3.20 | 0.144 | 3.66 | POLY BAGS | NOTE 10 | NO | OB | | | | |
| 95648-XYXH | 0.655 | 16.64 | 0.155 | 3.94 | 0.400 | 10.16 | POLY BAGS | - | NO | OB | | | | |
| 95655-XYX | 1.164 | 29.57 | 0.095 | 2.41 | 0.969 | 24.61 | POLY BAGS | NOTE 10 | NO | OB | | | | |
| 98001-XYXH | 0.610 | 15.49 | 0.420 | 10.67 | 0.090 | 2.29 | POLY BAGS | - | NO | OB | | | | |
| 98136-XYXH | 0.475 | 12.07 | 0.095 | 2.41 | 0.280 | 7.11 | POLY BAGS | - | NO | OB | | | | |
| 10004394-XYXH | 0.290 | 7.37 | 0.095 | 2.41 | 0.095 | 2.41 | POLY BAGS | - | NO | OB | | | | |
| 10076764-XYXH | 0.479 | 12.19 | 0.114 | 2.9 | 0.265 | 6.75 | POLY BAGS | - | YES | OB | | | | |
| 10103017-XYX | 0.335 | 8.51 | 0.130 | 3.30 | 0.105 | 2.67 | POLY BAGS | - | NO | OB | | | | |
| 10121349-XYX | 0.626 | 15.9 | 0.120 | 3.05 | 0.406 | 10.3 | POLY BAGS/TAPE REEL | - | NO | OB | | | | |

www.fciconnect.com

surface ISD 1302 tolerance std

tolerance std ISD 406 ISD 110

projection

INCH/MM

| | | | | | | | | | |
|----------|-------------|--------------|----------------|----------|-------|------|----|-------|-------|
| Dr | T.BREWBAKER | 01/05/95 | ANGULAR | 0X | ±0.3 | size | A4 | Scale | 1.000 |
| Eng | T.HANNA | 01/05/95 | LINEAR | 0XX | ±0.15 | | | | |
| Chg | J.MURPHY | 01/05/95 | | 0XXX | ±0.05 | | | | |
| Appr | T.HANNA | 01/05/95 | Product family | BERGSTIK | | | | | |
| Rev. DC | | dwg no | | 68000 | | | | | |
| CUSTOMER | | sheet 8 of 8 | | | | | | | |

X-ON Electronics

Largest Supplier of Electrical and Electronic Components

Click to view similar products for [Headers & Wire Housings](#) category:

Click to view products by [FCT Electronics](#) manufacturer:

Other Similar products are found below :

[95000-104TRLF](#) [10135584-644402LF](#) [DF62W-EP2022PCA](#) [95000-106TRLF](#) [DF62W-2022SCA](#) [DF62W-EP2022PC](#) [2203348](#) [DF62W-2022SC](#) [1084018](#) [1029039](#) [1084017](#) [802-10-012-10-002000](#) [1112640](#) [1112639](#) [891-007-9SS-BST1T](#) [000-34000](#) [0008550134](#) [0009482033](#) [0009507031](#) [57102-F02-18ULF](#) [57102-S06-03LF](#) [57202-S52-04LF](#) [PCN6-15S-2.5E](#) [0039019024](#) [58102-G61-06LF](#) [582553-1](#) [0009485154](#) [0009508121](#) [009176003701906](#) [0022285053](#) [0050291907](#) [018731A](#) [LY20-4P-DT1-P1E-BR](#) [02.125.8002.8](#) [60101931](#) [60598-1 \(Cut Strip\)](#) [M1625-3R/100](#) [61062-3](#) [61082-181009](#) [CSU011177004](#) [636-1427](#) [638009-1](#) [641938-9](#) [641991-4](#) [644168-1](#) [644827-2](#) [647662-1](#) [65039-019ELF](#) [65692-001LF](#) [65781-018](#)