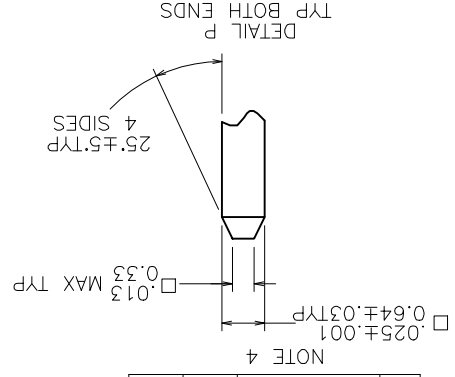


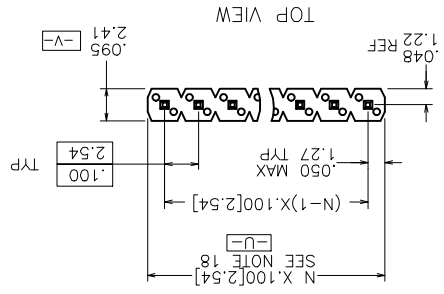
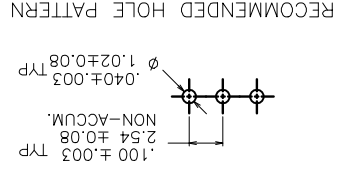
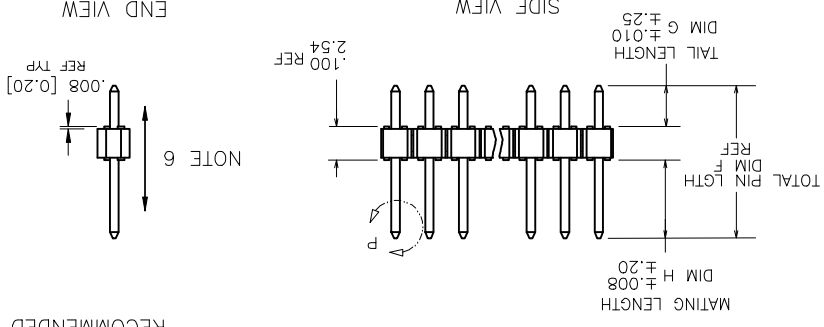
product family BERGSTIK		title BERGSTIK® II HEADER		dwg no 68000		sheet 1 of 8 size A3		Product Customer Drawing	
projection 1st angle		scale 1:1		material linear		finish AGS		revision MHT	
ISO 406		ISO 1001		ISO 1001		ISO 1001		ISO 1001	
surface		ISO 1302		date		date		date	
material code		SEE NOTES 2 & 3		date		date		date	
revision		MHT		MHT		MHT		MHT	
sheet		MHT		MHT		MHT		MHT	
revision		MHT		MHT		MHT		MHT	
sheet		MHT		MHT		MHT		MHT	



⊕ ⌀.020 / .51 (M) (U) (V) (S)

- BASE PART NO.
- 8=0.56µm Au
- 4= PURE TIN
- 1=0.76µm Au
- PIN PLATING (SEE NOTE 13)
- FROM 1 THRU 36 POS. (SEE NOTE 1)
- TOTAL NUMBER OF POSITION
- 5.0mm=050 25.5mm=255 (SEE NOTE 15 & 16)
- MATING LENGTH (EXAMPLE BELOW)
- 3.0mm=030 12.8mm=128 (SEE NOTE 15 & 16)
- TAIL LENGTH (EXAMPLE BELOW)

- PRODUCT NUMBER
XXXXXX-XXX HTLF
- LEAD FREE OPTION (SEE NOTES 1)
- PACKAGING OPTIONS (SEE NOTE 1)
- HIGH TEMPERATURE PLASTIC (SEE NOTE 1)
- NO OF POSITIONS (SEE NOTE 1)
- PIN PLATING (SEE SHEET 2)
- BASE PART NO.



Copyright PD



FCIconnect.com

PIN PLATING CODES:	
PIN PLATING CODES:	NOTES
XXXXX-1Y	30u"/0.76u MIN (SEE NOTE 13) OVER 50u"/1.27u MIN N!
XXXXX-2Y	15u"/0.38u MIN (SEE NOTE 13) OVER 50u"/1.27u MIN N!
XXXXX-3Y	50u"/1.27u MIN Au OVER 50u"/1.27u MIN N!
XXXXX-4Y	100u"/2.54u MIN 5u OVER 50u"/1.27u MIN N! (SEE NOTE 14)
XXXXX-5Y	15u"/0.38u MIN (SEE NOTE 13) OVER 50u"/1.27u MIN N!
XXXXX-6Y	30u"/0.76u MIN (SEE NOTE 13) OVER 50u"/1.27u MIN N!
XXXXX-7Y	30u"/0.76u MIN Au OVER 50u"/1.27u MIN N!
XXXXX-8Y	15u"/0.38u MIN Au OVER 50u"/1.27u MIN N!
XXXXX-9Y	15u"/0.38u MIN GXT OVER 50u"/1.27u MIN N!
XXXXX-0Y	30u"/0.76u MIN GXT OVER 50u"/1.27u MIN N!

1. PART NUMBER OPTIONS:

PIN PLATING CODES (SEE ABOVE)

HIGH TEMP. MATERIAL: PART NUMBERS WITH AND WITHOUT "H" WILL BE SUPPLIED WITH HIGH TEMPERATURE PLASTIC

NUMBER OF POSITIONS :

ANY NUMBER OF POSITIONS FROM 1 THRU 36. X-00H INDICATES BERGSTRIIP™ PRODUCT. SEE PAGE 3 FOR SPECIAL GEOMETRY OF THIS CONTINUOUS STRIP PRODUCT.

AUTOMATED REELS WILL CONTAIN 36,000 PINS. SEE SPECIFIC PART NUMBERS FOR AVAILABILITY.

PACKAGING :

NO INDICATOR IS STANDARD PACKAGING IN POLY BAGS.

EIGHT DIGIT PART NUMBERS FOLLOWED BY A "T" ARE PACKAGED IN TUBES. SEE SPECIFIC PART NUMBERS FOR AVAILABILITY.

EIGHT DIGIT PART NUMBERS FOLLOWED BY A "C" ARE PACKAGED IN TUBES WITH PICKUP CAP APPLIED. (NOT TOOLED)

BERGSTRIIP™ PART NUMBERS FOLLOWED BY A "B" ARE BULK PRICED.

LEAD FREE : ADD "HLF" SUFFIX AT THE END OF PART NUMBER FOR LEAD FREE OPTION, NOT AVAILABLE FOR -5YY,-5YYH,-6YY & -6YYH

2.

BODY MATERIAL :

BERGSTRIIP™ MANUFACTURER'S OPTION OF NYLON, PCT GLASS FIBER REINFORCED, OR LCP MINERAL FILLED COLOR : BLACK

BERGSTRIIP™; PRODUCED WITH HIGH TEMPERATURE LCP FLAME RETARDENT PER UL-94V-0.

BERGSTRIIP™; PRODUCED WITH HIGH TEMPERATURE LCP FLAME RETARDENT PER UL-94V-0.

COLOR : BLACK

PART NUMBERS WITH AND WITHOUT "H" SUFFIX WILL WITHSTAND EXPOSURE TO 260°C PEAK TEMPERATURE FOR 20 SECONDS IN WAVE SOLDER, INFRA-RED OR VAPOR PHASE SOLDER PROCESS.

mat'l. code	SEE NOTES 2 & 3
surface	ISO 1002
tolerance	ISO 1001
projection	
product family	BERGSTRIIP
title	
CW	
angles	
linear	XXXX.006/XXX.013
scale	1:1
dwg no	68000
sheet 2 of 8 size	A3
revision	sheet
revision	sheet
appd T.HANNA	01/05/95
cht J.MURPHY	01/05/95
engr T.HANNA	01/05/95
dr T.BREWBAKER	01/05/95

3. PIN MATERIAL : PHOS-BRONZE.

4. MEASURED WITH PART IN RESTRAINED CONDITION.

5. TWO SIDES OF PIN TIPS NOT PLATED. TYPICAL BOTH ENDS.

6. 2LBS/0.9KG MIN PIN RETENTION IN EITHER DIRECTION.

7. PIN CANNOT PROTRUDE PAST EDGE OF HOUSING. MUST BE .005±.005/.13±.13 FROM END OF HOUSING HOLE.

8. MILITARY BERGSTRIIP HEADER P/N XXXXX-XY-MIL. NOT AVAILABLE.

9. ±.010/0.25 TOL APPLIES TO ALL "G" TALS EXCEPT INDICATED PARTS ON TABLE WHERE +.010/0.25 - .000/0.00 APPLIES.

10. INDICATED PART NUMBERS ARE PRODUCED AND SOLD IN THE TAIWAN/SINGAPORE AREAS. THESE ARE NOT AVAILABLE IN BERGSTRIIP™ CONTINUOUS STRIP.

11. NOTCH CONFIGURATION WILL VARY PER VENDOR'S DISCRETION. THESE PRODUCTS MEETS EUROPEAN UNION DIRECTIVES AND OTHER COUNTRY REGULATION AS DESCRIBED IN GS-22-008.

12. PLATING OPTIONS: MAY BE EITHER GOLD OR EXT PLATED AT MANUFACTURER'S OPTION. THIS PRODUCT HAS 100% TIN PLATING IN THE INTERFACE AND HAS NOT BEEN TESTED FOR WHISKER GROWTH IN ALL INTERCONNECT ENVIRONMENTS.

15. THE OAL DON'T EXCEED 34.5mm

16. INCREMENTS BY 0.1mm IN LENGTHS ONLY

17. FOR SPECIAL PACKAGING REQUEST PLEASE CONTACT PRODUCT MANAGER FOR AVAILABILITY

18. TO DETERMINE DIMENSIONS: N=NUMBER OF POSITION PER ROW
 EXAMPLE: 10 POS. N X .100/2.54

Title: BERGSTIK		Product family: BERGSTIK	
Projection:		Tolerances: <input checked="" type="checkbox"/> surface <input type="checkbox"/> ISO 1302 <input type="checkbox"/> ISO 406 <input type="checkbox"/> ISO 1001	
Material code: SEE NOTES 2 & 3	Surface: <input checked="" type="checkbox"/> surface <input type="checkbox"/> ISO 1302 <input type="checkbox"/> ISO 406 <input type="checkbox"/> ISO 1001	Tolerances unless otherwise specified	
LT: <input type="checkbox"/> ECH NO: <input type="checkbox"/> DATE: <input type="checkbox"/>	Angles: <input type="checkbox"/> LINEAR <input type="checkbox"/> ANGLES <input type="checkbox"/> ANGLES	Scale: 1:1	
CW: <input type="checkbox"/>	Linear: <input type="checkbox"/>	Scale: 1:1	
Sheet: <input type="checkbox"/>	Revision: <input type="checkbox"/>	Sheet: <input type="checkbox"/>	
Index: <input type="checkbox"/>	Revision: <input type="checkbox"/>	Index: <input type="checkbox"/>	
DWG NO: 68000		Product Customer Drawing: A3	
Type:		Sheet 4 of 8 Size	

PRODUCT NUMBER	TOTAL PIN LGTH	DIM F	DIM F	DIM F	DIM G	DIM G	DIM H	DIM H	MATING LENGTH	BERGSTIK™ LF	OPTION
55492-XYH	0.315	8.00	0.095	2.41	0.120	3.05	POLY BAGS	NO	3.05	NO	NOTE 1,12
60017-XYH	0.620	15.75	0.210	5.33	0.310	7.87	POLY BAGS	NO	7.87	NO	NOTE 1,12
60018-XYH	0.660	16.76	0.250	6.35	0.310	7.87	POLY BAGS	NO	7.87	NO	NOTE 1,12
63334-XYH	0.435	11.05	0.095	2.41	0.240	6.10	POLY BAGS	NO	6.10	NO	NOTE 1,12
68000-XYH	0.425	10.80	0.095	2.41	0.230	5.84	POLY BAGS	YES	5.84	YES	NOTE 1,12
68001-XYH	0.450	11.43	0.120	3.05	0.230	5.84	POLY BAGS/TUBES	YES	5.84	YES	NOTE 1,12
68002-XYH	0.480	12.19	0.150	3.81	0.230	5.84	POLY BAGS	YES	5.84	YES	NOTE 1,12
68003-XYH	0.525	13.34	0.195	4.95	0.230	5.84	POLY BAGS	NO	5.84	NO	NOTE 1,12
68004-XYH	0.525	13.34	0.107	2.72	0.318	8.08	POLY BAGS	YES	8.08	YES	NOTE 1,12
68024-XYH	0.568	14.43	0.150	3.81	0.318	8.08	POLY BAGS	YES	8.08	YES	NOTE 1,12
68031-XYH	0.513	13.03	0.183	4.65	0.230	5.84	POLY BAGS	NO	5.84	NO	NOTE 1,12
68032-XYH	0.543	13.79	0.213	5.41	0.230	5.84	POLY BAGS	NO	5.84	NO	NOTE 1,12
68033-XYH	0.708	17.98	0.473	12.01	0.335	3.43	POLY BAGS	NO	3.43	NO	NOTE 1,12
68415-XYH	0.615	15.62	0.115	2.92	0.400	10.16	POLY BAGS	NO	10.16	NO	NOTE 1,12
68416-XYH	0.813	20.65	0.483	12.27	0.230	5.84	POLY BAGS	NO	5.84	NO	NOTE 1,12
68418-XYH	0.730	18.54	0.400	10.16	0.230	5.84	POLY BAGS	NO	5.84	NO	NOTE 1,12
68422-XYH	0.631	16.03	0.213	5.41	0.318	8.08	POLY BAGS	NO	8.08	NO	NOTE 1,12
68443-XYH	0.755	19.18	0.425	10.80	0.230	5.84	POLY BAGS	NO	5.84	NO	NOTE 1,12
68456-XYH	0.825	20.96	0.115	2.92	0.610	15.49	POLY BAGS	NO	15.49	NO	NOTE 1,12
68457-XYH	0.548	13.92	0.130	3.30	0.318	8.08	POLY BAGS	NO	8.08	NO	NOTE 1,12
68465-XYH	0.925	23.50	0.595	15.11	0.230	5.84	POLY BAGS	NO	5.84	NO	NOTE 1,12
68466-XYH	0.925	23.50	0.128	3.25	0.697	17.70	POLY BAGS	NO	17.70	NO	NOTE 1,12
68472-XYH	0.913	23.19	0.413	10.49	0.400	10.16	POLY BAGS	NO	10.16	NO	NOTE 1,12
68479-XYH	0.718	18.24	0.388	9.86	0.230	5.84	POLY BAGS	NO	5.84	NO	NOTE 1,12
68483-XYH	0.835	21.21	0.417	10.59	0.318	8.08	POLY BAGS	NO	8.08	NO	NOTE 1,12
68487-XYH	0.705	17.91	0.110	2.79	0.495	12.57	POLY BAGS	NO	12.57	NO	NOTE 1,12
68489-XYH	1.095	27.81	0.765	19.43	0.230	5.84	POLY BAGS	NO	5.84	NO	NOTE 1,12
68490-XYH	1.025	26.04	0.695	17.65	0.230	5.84	POLY BAGS	NO	5.84	NO	NOTE 1,12
68497-XYH	0.612	15.54	0.085	2.16	0.427	10.85	POLY BAGS	NO	10.85	NO	NOTE 1,12
68603-XYH	0.555	14.10	0.120	3.05	0.335	8.51	POLY BAGS	NO	8.51	NO	NOTE 1,12
68604-XYH	0.600	15.24	0.120	3.05	0.380	9.65	POLY BAGS	NO	9.65	NO	NOTE 1,12

NOTE 1,12

OPTION

Copyright FCJ Edconnet.com

PRODUCT NUMBER	TOTAL PIN LGTH	DIM F	DIM F	DIM F	DIM G	DIM G	DIM G	DIM H	DIM H	DIM H	MATING LENGTH	BERGSTRIIP™ LF
68629-XY	0.621	15.77	0.203	5.16	0.318	8.08	POLY BAGS	NO	NOTE 1,12			
68630-XY	0.603	15.32	0.273	6.93	0.230	5.84	POLY BAGS	NO				
68631-XY	0.703	17.86	0.203	5.16	0.400	10.16	POLY BAGS	NO				
68632-XY	0.743	18.87	0.413	10.49	0.230	5.84	POLY BAGS	NO				
68633-XY	0.643	16.33	0.225	5.72	0.318	8.08	POLY BAGS	NO				
68634-XY	1.013	25.73	0.683	17.35	0.230	5.84	POLY BAGS	NO				
68642-XY	0.913	23.19	0.583	14.81	0.230	5.84	POLY BAGS	NO				
68652-XY	1.470	37.34	0.670	17.02	0.700	17.78	POLY BAGS	NO				
68653-XY	0.735	18.67	0.095	2.41	0.540	13.72	POLY BAGS	NO				
68654-XY	1.050	26.67	0.670	17.02	0.280	7.11	POLY BAGS	NO				
68655-XY	0.708	17.98	0.290	7.37	0.318	8.08	POLY BAGS	NO				
68656-XY	1.113	28.27	0.613	15.57	0.400	10.16	POLY BAGS	NO				
68657-XY	0.588	14.94	0.368	9.35	0.120	3.05	POLY BAGS	NO				
68658-XY	0.820	20.83	0.130	3.30	0.590	14.99	POLY BAGS	NO				
68659-XY	0.608	15.44	0.398	10.11	0.110	2.79	POLY BAGS	NO				
68686-XY	1.016	25.81	0.458	11.63	0.458	11.63	POLY BAGS	NO				
68689-XY	0.913	23.19	0.213	5.41	0.600	15.24	POLY BAGS	NO				
68705-XY	0.395	10.03	0.095	2.41	0.200	5.08	POLY BAGS	NO				
68717-XY	0.615	15.62	0.285	7.24	0.230	5.84	POLY BAGS	NO				
68730-XY	0.555	14.10	0.225	5.72	0.230	5.84	POLY BAGS	NO				
68731-XY	0.880	22.35	0.440	11.18	0.340	8.64	POLY BAGS	NO				
68735-XY	1.016	25.81	0.520	13.21	0.396	10.06	POLY BAGS	NO				
68755-XY	1.166	29.62	0.533	13.54	0.533	13.54	POLY BAGS	NO				
68760-XY	0.803	20.40	0.353	8.97	0.350	8.89	POLY BAGS	NO				
68762-XY	0.588	14.94	0.213	5.41	0.275	6.99	POLY BAGS	NO				
68771-XY	0.470	11.94	0.100	2.54	0.270	6.86	POLY BAGS	NO				
68781-XY	0.691	17.55	0.273	6.93	0.318	8.08	POLY BAGS	NO				

NOTE 1,12

mat'l. code		SEE NOTES 2 & 3		ISO 1002		ISO 1001		ISO 1001	
lit	ecn no	dr	date	tolerances unless otherwise specified					
angles		linear		XXXX.000/XXXX.013		XXXX.000/XXXX.013		XXXX.000/XXXX.013	
0+2.		0+2.		XXXX.000/XXXX.013		XXXX.000/XXXX.013		XXXX.000/XXXX.013	
scale 1:1		scale 1:1		XXXX.000/XXXX.013		XXXX.000/XXXX.013		XXXX.000/XXXX.013	
BERGSTIK® II HEADER		BERGSTIK		BERGSTIK		BERGSTIK		BERGSTIK	
product family		BERGSTIK		BERGSTIK		BERGSTIK		BERGSTIK	
title		BERGSTIK		BERGSTIK		BERGSTIK		BERGSTIK	
projection		projection		projection		projection		projection	
dwg no		68000		68000		68000		68000	
sheet 5 of 8 size		A3		A3		A3		A3	
Product Customer Drawing		Product Customer Drawing		Product Customer Drawing		Product Customer Drawing		Product Customer Drawing	
sheet revision		sheet revision		sheet revision		sheet revision		sheet revision	
appd T.HANNA		01/05/95		01/05/95		01/05/95		01/05/95	
ctr J.MURPHY		01/05/95		01/05/95		01/05/95		01/05/95	
engr T.HANNA		01/05/95		01/05/95		01/05/95		01/05/95	
dr T.BREWBAKER		01/05/95		01/05/95		01/05/95		01/05/95	
index		index		index		index		index	

PRODUCT NUMBER	TOTAL PIN LGTH	DIM F	DIM F	DIM G	DIM G	DIM H	DIM H	MATING LENGTH	BERGSTRIP™	LF	OPTION
68795-XY	0.500	12.70	0.062	1.57	0.338	8.59		POLY BAGS		NO	NOTE 1,12
68796-XY	0.633	16.08	0.423	10.74	0.110	2.79		POLY BAGS		NO	
68797-XY	0.413	10.49	0.213	5.41	0.100	2.54		POLY BAGS		NO	
69148-XY	0.442	11.43	0.000	0.00	0.350	8.89		POLY BAGS		NO	
69152-XY	0.720	18.29	0.120	3.05	0.500	12.70		POLY BAGS/TUBES		NO	
69173-XY	0.530	13.46	0.135	3.43	0.295	7.49		POLY BAGS		NO	
69188-XY	0.751	19.08	0.333	8.46	0.318	8.08		POLY BAGS		NO	
69751-XY	0.440	11.18	0.170	4.32	0.170	4.32		POLY BAGS		NOTE 10	
71417-XY	0.664	16.87	0.115	2.92	0.449	11.40		POLY BAGS		NOTE 10	
72260-XY	0.930	23.62	0.090	2.29	0.740	18.80		POLY BAGS		NO	
72323-XY	1.200	30.48	0.100	2.54	1.000	25.40		POLY BAGS		NO	
72457-XY	1.100	27.94	0.090	2.29	0.910	23.11		POLY BAGS		NO	
73698-XY	1.100	27.94	0.120	3.05	0.880	22.35		POLY BAGS		NO	
74464-XY	1.028	26.11	0.610	15.49	0.318	8.08		POLY BAGS		NO	
78240-XY	0.663	16.84	0.333	8.46	0.230	5.84		POLY BAGS		NO	
78287-XY	0.678	17.22	0.120	3.05	0.458	11.63		POLY BAGS		NO	
78290-XY	1.250	31.75	0.500	12.70	0.650	16.51		POLY BAGS		NO	
78511-XY	0.538	13.67	0.120	3.05	0.318	8.08		POLY BAGS/TUBES		YES	
78595-XY	NOT AVAILABLE										
78931-XY	NOT AVAILABLE										
78958-XY	NOT AVAILABLE										
78959-XY	NOT AVAILABLE										
78977-XY	NOT AVAILABLE										
78998-XY	0.430	10.92	0.155	3.94	0.175	4.45		POLY BAGS		NO	
78999-XY	NOT AVAILABLE										
79428-XY	0.695	17.65	0.120	3.05	0.475	12.07		POLY BAGS		NO	
79849-XY	0.620	15.75	0.120	3.05	0.400	10.16		POLY BAGS		NO	

NOTE 1,12

NOTE 1,12

mat'l code	ISO 1502	2 & 3
surface	ISO 1502	2 & 3
tolerance	ISO 406	
	ISO 1001	
projection		
product family	BERGSTIK	
title	BERGSTIK® II HEADER	
dwg no	68000	
sheet	6 of 8 size	
type	Product Customer Drawing	

Sheet	Revision	Sheet	Index
appd	T.HANNA 01/05/98		
ctr	J.MURPHY 01/05/98		
engr	T.HANNA 01/05/98		
dp	T.BREWBAKER 01/05/98		
angles	linear	0 ±.2	
linear	XXXX.000/XXXX.000		
scale	1:1		
INCH/MM			
CM			
lfr	ec'n no	date	

PRODUCT NUMBER	TOTAL PIN LGTH	DIM F	DIM F	DIM G	DIM G	DIM H	DIM H	DIM H	MATING LENGTH	BERGSTRIP™
		ENGLISH	METRIC	ENGLISH	METRIC	ENGLISH	METRIC	PACKAGING	NOTES	OPTION
										LF
84918-XYYH	0.340	8.64	0.120	3.05	0.120	3.05	0.120	POLY BAGS		NOTE 1,12
84921-XYYH	0.370	9.40	0.150	3.81	0.120	3.05	0.120	POLY BAGS		
86506-XYY	0.440	11.18	0.120	3.05	0.220	5.59	0.220	POLY BAGS		
86579-XYY	0.450	11.43	0.120	3.05	0.230	5.84	0.230	POLY BAGS		NOTE 9
86634-XYY										
86635-XYY										
86636-XYY										
86637-XYY										
86638-XYY										
86793-XYY	0.900	22.86	0.100	2.54	0.700	17.78	0.700	POLY BAGS		NOTE 10
86899-XYY	1.020	25.91	0.120	3.05	0.800	20.32	0.800	POLY BAGS		
87185-XYY	1.238	31.45	0.095	2.41	1.043	26.49	1.043	POLY BAGS		NOTE 10
87204-XYY	0.895	22.73	0.120	3.05	0.675	17.15	0.675	POLY BAGS		
87241-XYY	1.000	25.40	0.120	3.05	0.780	19.81	0.780	POLY BAGS		
87502-XYYH	1.130	28.70	0.110	2.79	0.920	23.37	0.920	POLY BAGS		
87827-XYY	0.380	9.65	0.120	3.05	0.160	4.06	0.160	POLY BAGS		
87916-XYY	1.058	26.87	0.128	3.25	0.830	21.08	0.830	POLY BAGS		
88005-XYY	0.536	13.61	0.095	2.41	0.341	8.66	0.341	POLY BAGS		NOTE 10
88706-XYY	0.900	22.86	0.100	2.54	0.700	17.78	0.700	POLY BAGS		
89232-XYY	0.325	8.26	0.000	0.00	0.230	5.84	0.230	POLY BAGS		NOTE 7

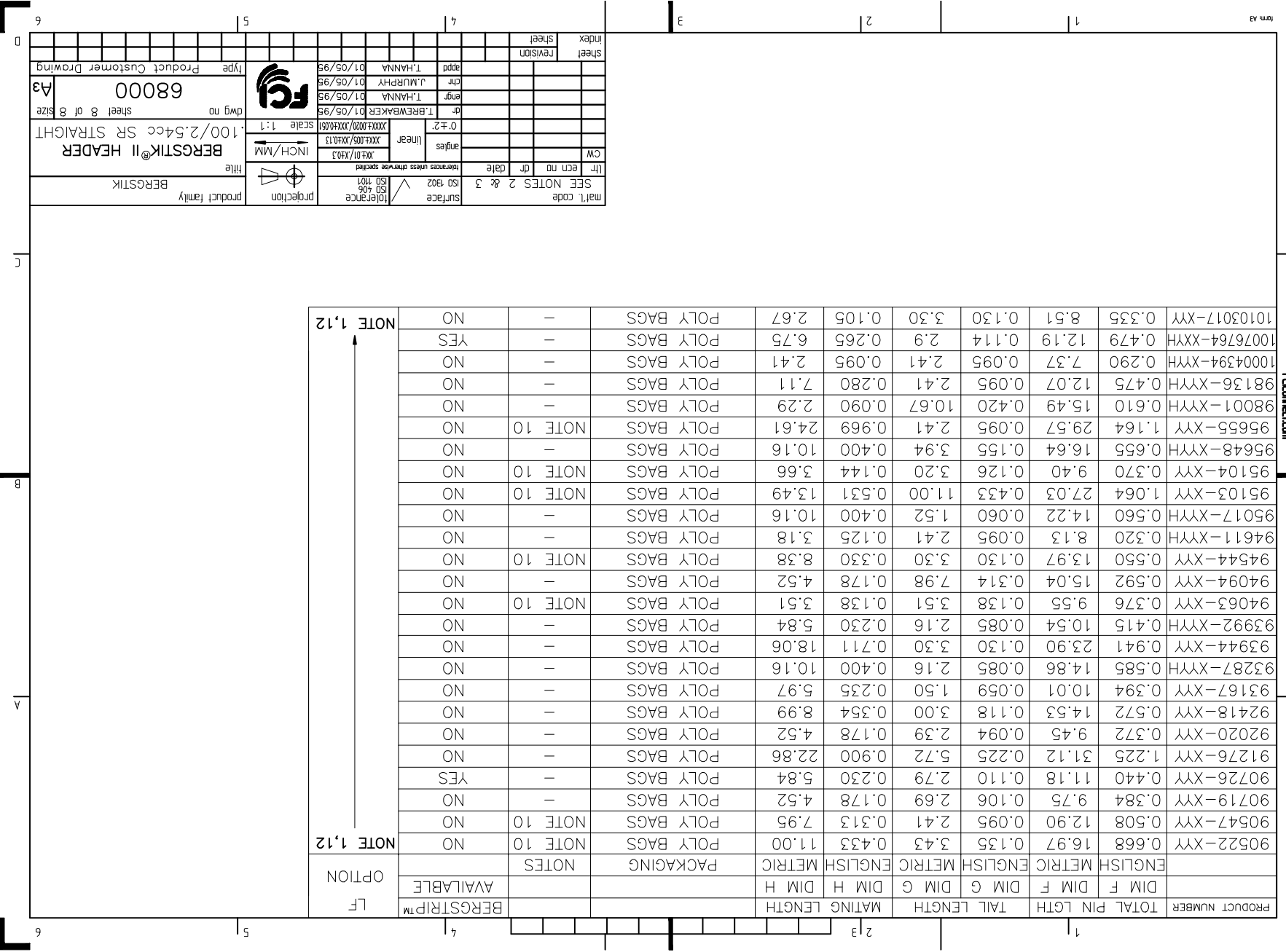
mat'l code	SEE NOTES 2 & 3		surface	ISO 1302	tolerance	ISO 1507	projection	BERGSTIK
ltf	ecn no	dr	date	tolerances unless otherwise specified				product family
CW	angles	linear	linear	XXXX.006/XXXX.13	INCH/MM	XXXX.006/XXXX.13	title	
	°±2			XXXX.000/XXXX.051	scale	1:1	BERGSTIK® II HEADER	
					dwg no	sheet 7 of 8 size	68000	
					type	Product Customer Drawing	A3	
sheet	revision	sheet		index				

mat'l code		SEE NOTES 2 & 3		ISO 1502		ISO 101		tolerance		ISO 406		ISO 101	
litr	ech no	dp	date	tolerances unless otherwise specified									
CW		angles	linear	XXXX.000/XXXX.03	XXXX.000/XXXX.13	INCH/MM		projection		product family			
title		BERGSTIK® II HEADER											
type		Product Customer Drawing											
sheet		Revision											
index		Sheet											

PRODUCT NUMBER	TOTAL PIN LGTH	DIM F	DIM F	DIM G	DIM G	DIM H	DIM H	MATING LENGTH	BERGSTRIPTM	LF	OPTION
90522-XYH	0.668	16.97	0.135	3.43	0.433	11.00	POLY BAGS	NOTE 10	NO	NOTE 1,12	
90547-XYH	0.508	12.90	0.095	2.41	0.313	7.95	POLY BAGS	NOTE 10	NO		
90719-XYH	0.384	9.75	0.106	2.69	0.178	4.52	POLY BAGS		NO		
90726-XYH	0.440	11.18	0.110	2.79	0.230	5.84	POLY BAGS		YES		
91276-XYH	1.225	31.12	0.225	5.72	0.900	22.86	POLY BAGS		NO		
92020-XYH	0.372	9.45	0.094	2.39	0.178	4.52	POLY BAGS		NO		
92418-XYH	0.572	14.53	0.118	3.00	0.354	8.99	POLY BAGS		NO		
93167-XYH	0.394	10.01	0.059	1.50	0.235	5.97	POLY BAGS		NO		
93287-XYH	0.585	14.86	0.085	2.16	0.400	10.16	POLY BAGS		NO		
93944-XYH	0.941	23.90	0.130	3.30	0.711	18.06	POLY BAGS		NO		
93992-XYH	0.415	10.54	0.085	2.16	0.230	5.84	POLY BAGS		NO		
94063-XYH	0.376	9.55	0.138	3.51	0.138	3.51	POLY BAGS	NOTE 10	NO		
94094-XYH	0.592	15.04	0.314	7.98	0.178	4.52	POLY BAGS		NO		
94544-XYH	0.550	13.97	0.130	3.30	0.330	8.38	POLY BAGS	NOTE 10	NO		
94611-XYH	0.320	8.13	0.095	2.41	0.125	3.18	POLY BAGS		NO		
95017-XYH	0.560	14.22	0.060	1.52	0.400	10.16	POLY BAGS		NO		
95103-XYH	1.064	27.03	0.433	11.00	0.531	13.49	POLY BAGS	NOTE 10	NO		
95104-XYH	0.370	9.40	0.126	3.20	0.144	3.66	POLY BAGS	NOTE 10	NO		
95648-XYH	0.655	16.64	0.155	3.94	0.400	10.16	POLY BAGS		NO		
95655-XYH	1.164	29.57	0.095	2.41	0.969	24.61	POLY BAGS	NOTE 10	NO		
98001-XYH	0.610	15.49	0.420	10.67	0.090	2.29	POLY BAGS		NO		
98136-XYH	0.475	12.07	0.095	2.41	0.280	7.11	POLY BAGS		NO		
1004394-XYH	0.290	7.37	0.095	2.41	0.095	2.41	POLY BAGS		NO		
10076764-XYH	0.479	12.19	0.114	2.9	0.265	6.75	POLY BAGS		YES		
10103017-XYH	0.335	8.51	0.130	3.30	0.105	2.67	POLY BAGS		NO		

NOTE 1,12

NOTE 1,12



X-ON Electronics

Largest Supplier of Electrical and Electronic Components

Click to view similar products for [Headers & Wire Housings](#) category:

Click to view products by [Amphenol](#) manufacturer:

Other Similar products are found below :

[95000-104TRLF](#) [10135584-644402LF](#) [DF62W-EP2022PCA](#) [95000-106TRLF](#) [DF62W-2022SCA](#) [DF62W-EP2022PC](#) [2203348](#) [DF62W-2022SC](#) [1084018](#) [1029039](#) [1084017](#) [802-10-012-10-002000](#) [1112640](#) [1112639](#) [891-007-9SS-BST1T](#) [000-34000](#) [0008550134](#) [0009482033](#) [0009507031](#) [57102-F02-18ULF](#) [57102-S06-03LF](#) [57202-S52-04LF](#) [PCN6-15S-2.5E](#) [0039019024](#) [58102-G61-06LF](#) [582553-1](#) [0009485154](#) [0009508121](#) [0022285053](#) [0050291907](#) [018731A](#) [LY20-4P-DT1-P1E-BR](#) [02.125.8002.8](#) [60101931](#) [60598-1 \(Cut Strip\)](#) [M1625-3R/100](#) [61062-3](#) [61082-181009](#) [CSU011177004](#) [636-1427](#) [638009-1](#) [641938-9](#) [641991-4](#) [644168-1](#) [644827-2](#) [647662-1](#) [65039-019ELF](#) [65692-001LF](#) [65781-018](#) [65781-047](#)