

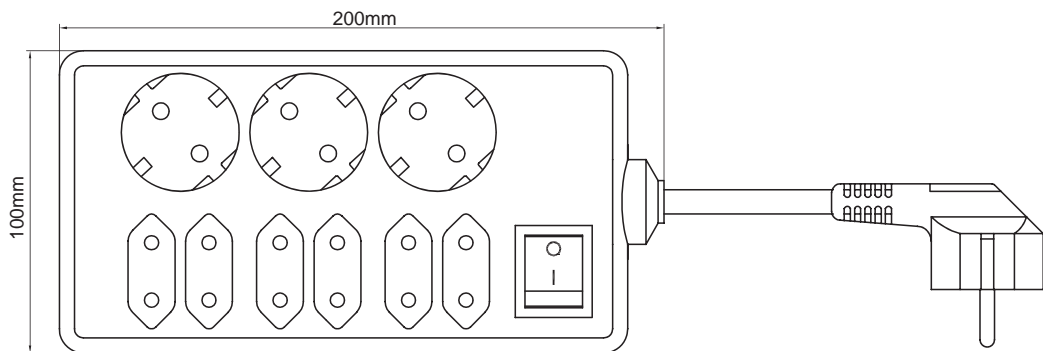
Art No. LPS201

9-Way Socket Outlet with Child Protection

Specification:

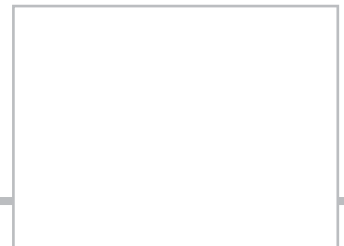
- 3 Schuko sockets & 6 Euro sockets (German Type)
- With illuminated ON/OFF switch
- With child protection
- Power: 250V/16A, 50Hz, Max. 3500Watt
- Cable Spec.: H05VV-F 3G 1.5mm²
- Cable Length: 1.5m
- IP20
- TUV & GS approved
- RoHS Compliant

Physical Characteristics:



Packaging Information:

- Packing Dimension: mm
- Packing Weight: kg
- Carton Dimension: mm
- Carton Q'ty: pcs
- Carton Weight: kgs



* The specifications and pictures are subject to change without notice.
*All trade names referenced are the registered network of their respective owners.



X-ON Electronics

Largest Supplier of Electrical and Electronic Components

Click to view similar products for [Headers & Wire Housings](#) category:

Click to view products by [Logilink](#) manufacturer:

Other Similar products are found below :

[95000-104TRLF](#) [10135584-644402LF](#) [DF62W-EP2022PCA](#) [95000-106TRLF](#) [DF62W-2022SCA](#) [DF62W-EP2022PC](#) [2203348](#) [DF62W-2022SC](#) [1084018](#) [1029039](#) [1084017](#) [802-10-012-10-002000](#) [1112640](#) [1112639](#) [891-007-9SS-BST1T](#) [000-34000](#) [0008550134](#) [0009482033](#) [0009507031](#) [57102-F02-18ULF](#) [57102-S06-03LF](#) [57202-S52-04LF](#) [PCN6-15S-2.5E](#) [0039019024](#) [58102-G61-06LF](#) [582553-1](#) [0009485154](#) [0009508121](#) [0022285053](#) [0050291907](#) [018731A](#) [LY20-4P-DT1-P1E-BR](#) [02.125.8002.8](#) [60101931](#) [60598-1 \(Cut Strip\)](#) [M1625-3R/100](#) [61062-3](#) [61082-181009](#) [CSU011177004](#) [636-1427](#) [638009-1](#) [641938-9](#) [641991-4](#) [644168-1](#) [644827-2](#) [647662-1](#) [65039-019ELF](#) [65692-001LF](#) [65781-018](#) [65781-047](#)