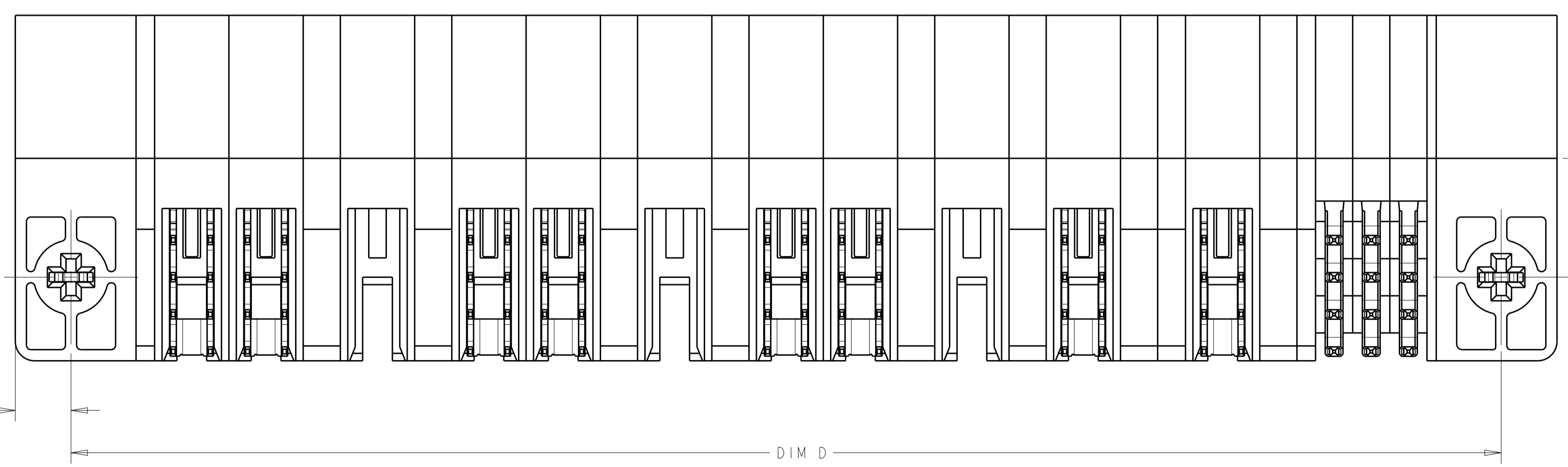
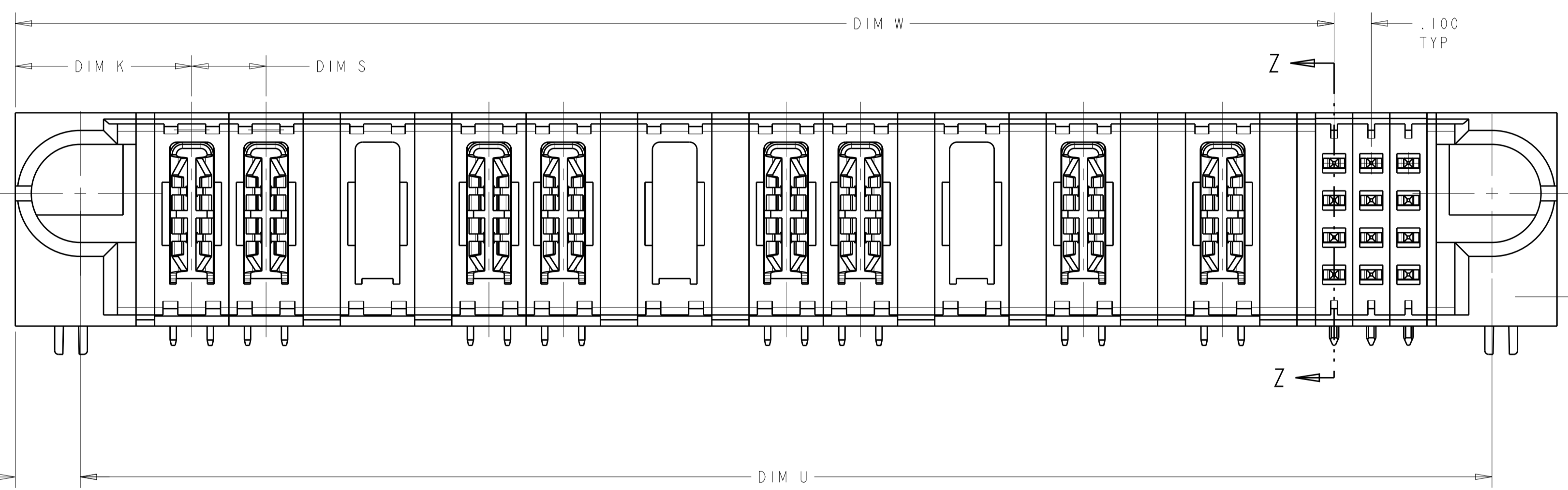
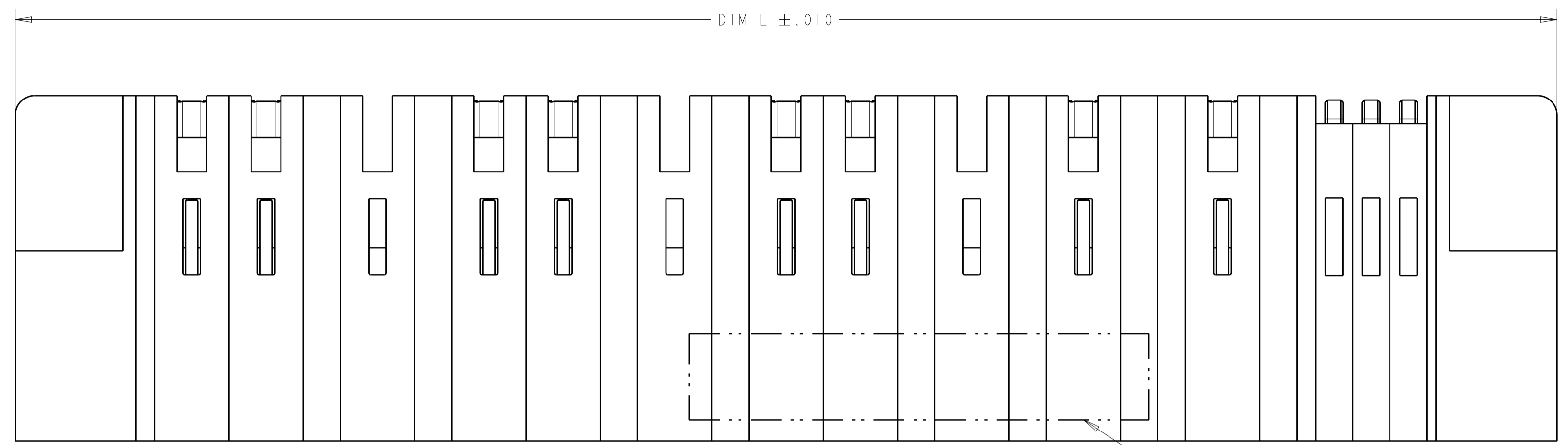
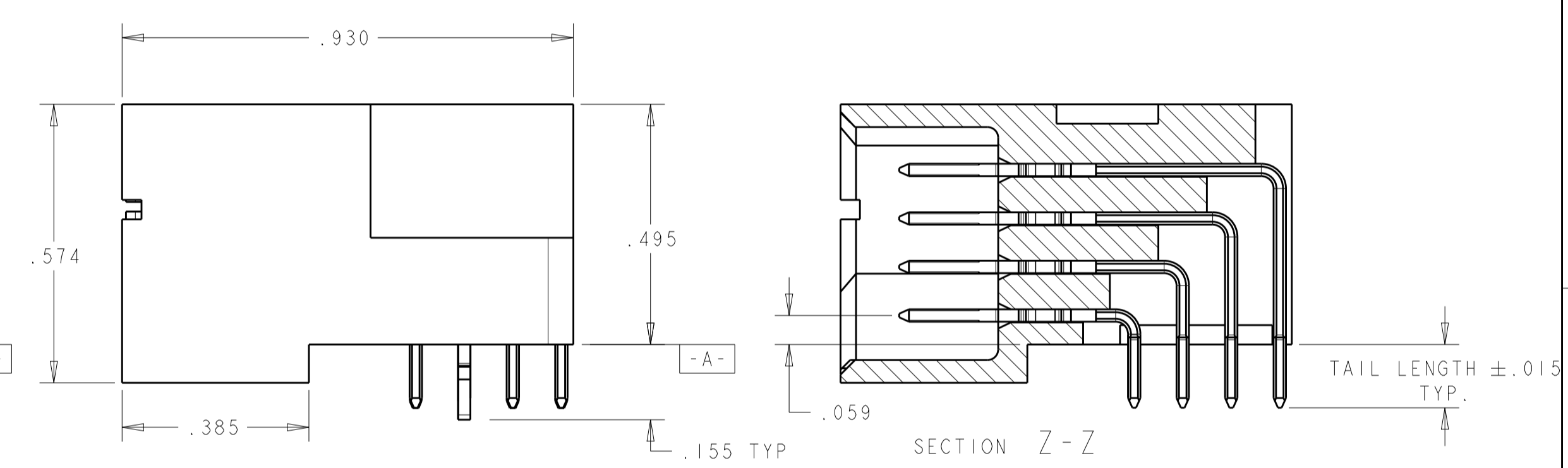


| LOC | DIST | REVISIONS | | | | | |
|-----|------|-----------|-----|-------------------------|-----------|-----|------|
| GP | 00 | P | LTN | DESCRIPTION | DATE | DWN | APVD |
| | | E8 | | RELEASE 2-3 | 10AUG2014 | CZ | SZ |
| | | E9 | | ADD NEW DASH NUMBER 3-0 | 19AUG2014 | CZ | SZ |



- 1 "AMP" TRADEMARK, PART NUMBER, AND DATE CODE TO BE MARKED IN AREA SHOWN
- 2 MATERIAL:
HOUSING - GLASS FILLED HIGH TEMP THERMO PLASTIC, UL94 V-0
SIGNAL CONTACT - COPPER ALLOY
POWER CONTACT - HIGH CONDUCTIVITY COPPER ALLOY
- 3 CONTACT PLATING: NOBLE METAL PLATING ON CONTACT FUNCTIONAL AREA OF POWER AND SIGNAL CONTACTS.
- 4 MECHANICAL CONNECTOR KEEP OUT ZONE.
- 5 DATUM AND BASIC DIMENSIONS ESTABLISHED BY CUSTOMER.
- 6 PCB - ALL HOLES DIAMETERS ARE FINISHED HOLE SIZES.
- 7 PCB - .0453±.0010 DRILLED HOLES PLATED WITH .0003 MIN. Sn OVER .001 TO .003 CU PLATING TO ACHIEVE A .040±.003 DIA HOLE.
- 8 NOT RELEASED FOR PRODUCTION
- 9 VARIABLE DIMENSIONS SHOWN ON VIEW (SHEET 2)


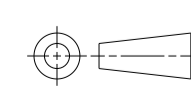


| | | | | |
|---|--|---|--------------------|--------------------------------|
| THIS DRAWING IS A CONTROLLED DOCUMENT. | | DWN R. GRZYBOWSKI CHK M. PERCHERKE | 02FEB05 02FEB05 | STE TE Connectivity |
| DIMENSIONS: INCHES | | APVD M. PERCHERKE | | |
| TOLERANCES UNLESS OTHERWISE SPECIFIED: | | NAME RIGHT ANGLE HEADER ASSY W/GUIDES MULTI-BEAM XL | | RESTRICTED TO |
| 0 PLC ±. 1 PLC ±.01 2 PLC ±.005 3 PLC ±.0020 4 PLC ±.0020 ANGLES ±.2 | | PRODUCT SPEC 108-1973 APPLICATION SPEC 114-13038 | | |
| MATERIAL | | SIZE CAGE CODE DRAWING NO A100779C=6450122 | | SCALE 4:1 SHEET 1 OF 10 REV E9 |
| FINISH | | WEIGHT CUSTOMER DRAWING | | |

THIS DRAWING IS UNPUBLISHED. RELEASED FOR PUBLICATION 20
 © COPYRIGHT 20 BY - ALL RIGHTS RESERVED.

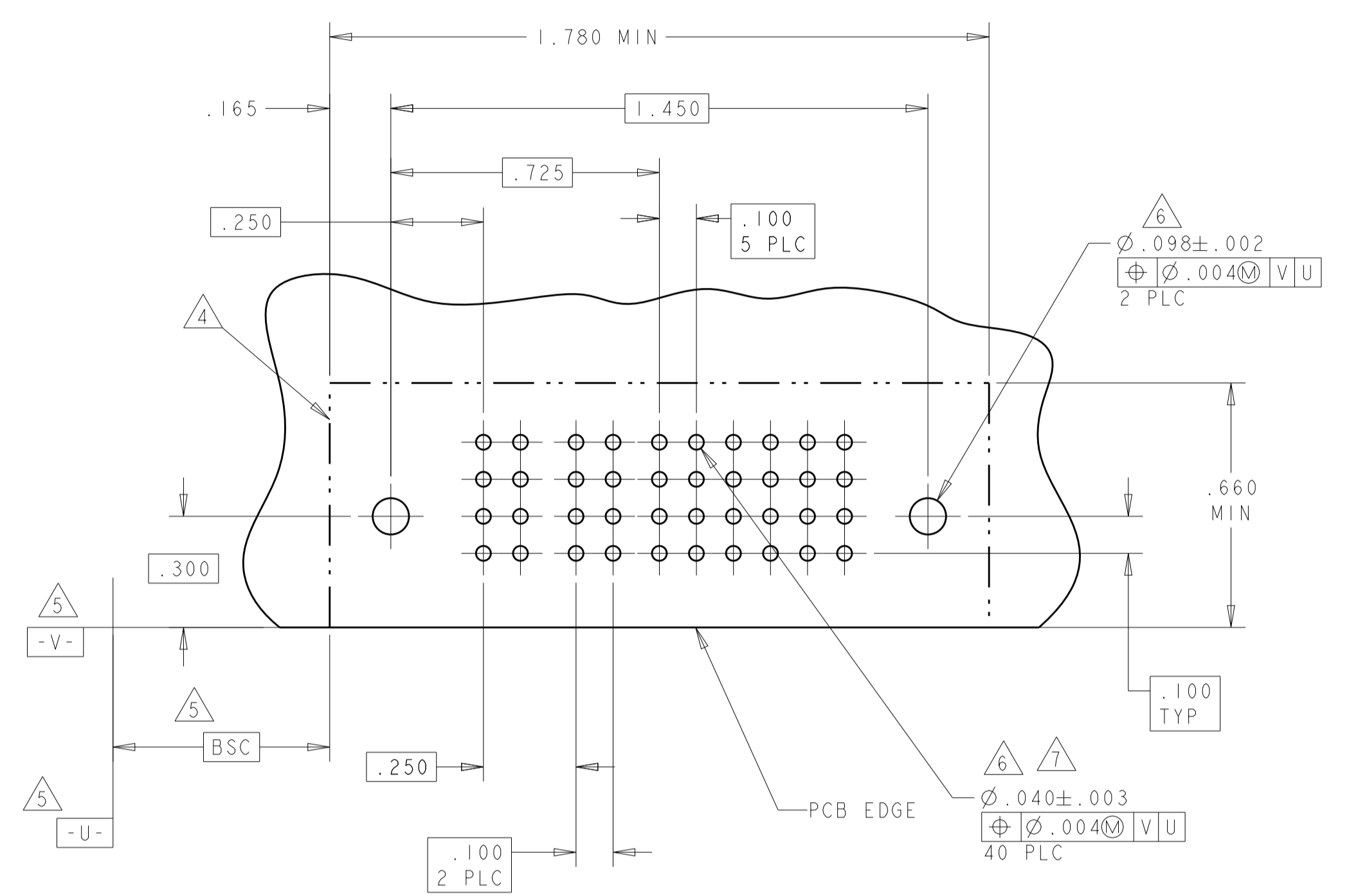
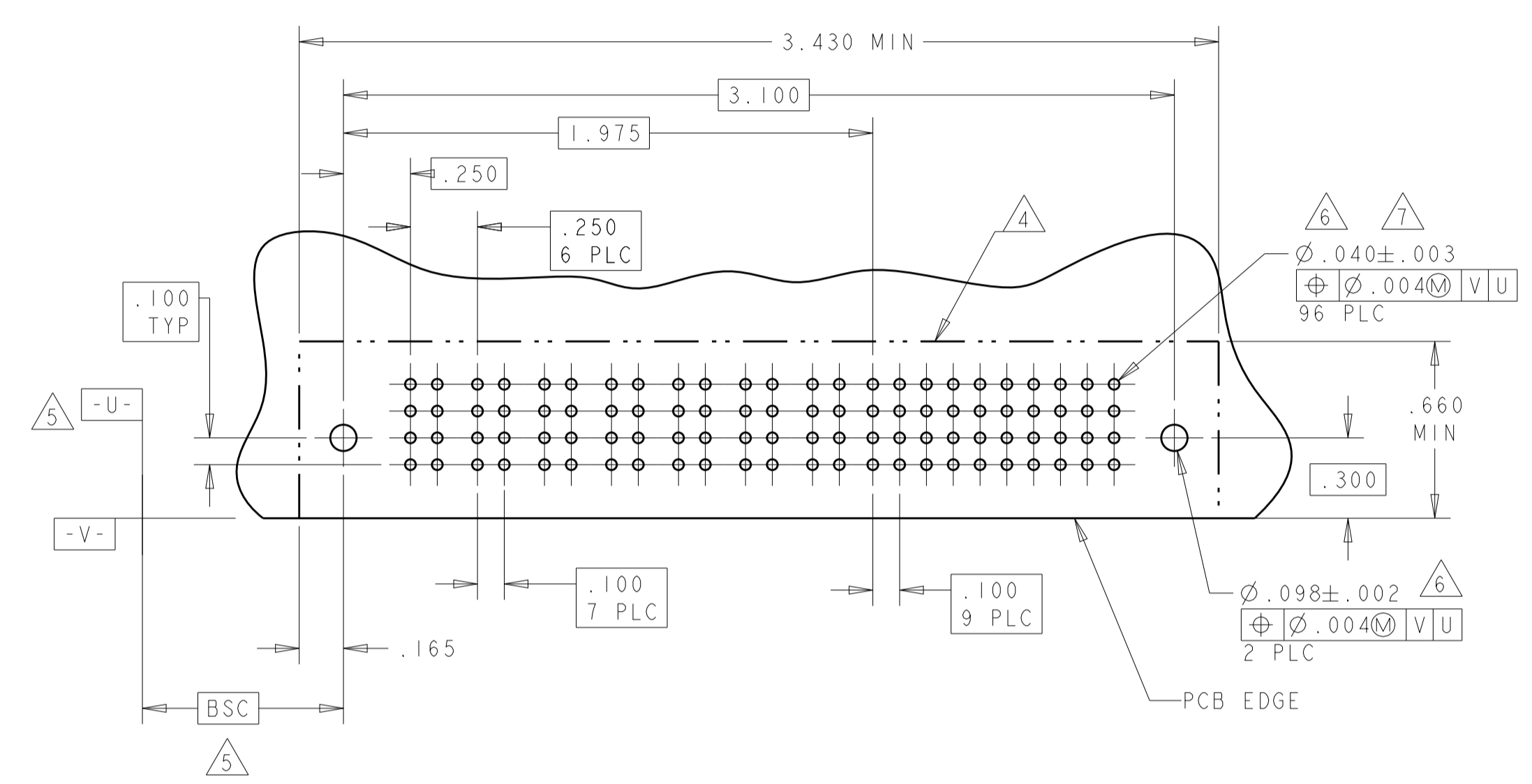
| LOC | DIST | REVISIONS | | | | | |
|-----|------|-----------|-----|-------------|------|-----|------|
| | | P | LTN | DESCRIPTION | DATE | DWN | APVD |
| GP | 00 | - | - | SEE SHEET 1 | - | - | - |
| | | | | | | | |
| | | | | | | | |

| | | | | | | | | |
|----|-------|-------|-------|-------|-------|-------|-------------|-------------|
| E9 | 1.700 | .250 | 1.375 | 1.750 | .450 | 2.050 | 4P + 16S | 3-6450122-0 |
| | 2.400 | .250 | 1.875 | 2.450 | .450 | 2.750 | 6P + 24S | 2-6450122-9 |
| | 1.300 | .250 | 1.175 | 1.350 | .450 | 1.650 | 3P + 8S | 2-6450122-8 |
| | 2.050 | .250 | 1.925 | 2.100 | .450 | 2.400 | 6P + 8S | 2-6450122-7 |
| | 4.425 | .200 | 2.200 | 4.475 | .450 | 4.775 | 9P + 92S | 2-6450122-6 |
| | 2.900 | .250 | 2.375 | 2.950 | .450 | 3.250 | 8P + 24S | 2-6450122-5 |
| | 2.700 | .250 | .875 | 2.750 | .450 | 3.050 | 2P + 76S | 2-6450122-4 |
| | 2.300 | .250 | 1.875 | 2.350 | .450 | 2.650 | 6P + 20S | 2-6450122-3 |
| | 3.200 | .250 | 2.875 | 3.250 | .450 | 3.550 | 10P + 16S | 2-6450122-2 |
| | 1.650 | .200 | 1.225 | 1.700 | .450 | 2.000 | 4P + 20S | 2-6450122-1 |
| | 2.950 | .200 | 2.425 | 3.000 | .450 | 3.300 | 10P + 24S | 2-6450122-0 |
| | 1.800 | .250 | 1.375 | 1.850 | .450 | 2.150 | 4P + 20S | 1-6450122-9 |
| | 2.250 | .250 | 1.975 | 2.300 | .475 | 2.600 | 6P + 12S | 1-6450122-7 |
| | 1.000 | .250 | .875 | 1.050 | .450 | 1.350 | 2P + 8S | 1-6450122-6 |
| | 1.850 | .300 | 1.325 | 1.900 | .475 | 2.200 | 3ACP + 24S | 1-6450122-2 |
| | 5.900 | .250 | 5.375 | 5.950 | .450 | 6.250 | 20P + 24S | 1-6450122-1 |
| | 1.400 | .250 | .875 | 1.450 | .450 | 1.750 | 2P + 24S | 1-6450122-0 |
| | 3.050 | .250 | 2.125 | 3.100 | .450 | 3.400 | 7P + 40S | 6450122-8 |
| | 4.425 | .250 | 3.875 | 4.475 | .450 | 4.775 | 14P + 24S | 6450122-6 |
| | 3.800 | .250 | 3.550 | 3.850 | .475 | 4.150 | 11P + 12S | 6450122-3 |
| | 4.600 | .250 | 3.875 | 4.650 | .450 | 4.950 | 14P + 32S | 6450122-2 |
| | 3.800 | .250 | 3.550 | 3.850 | .475 | 4.150 | 11P + 12S | 6450122-1 |
| | DIM U | DIM S | DIM W | DIM D | DIM K | DIM L | DESCRIPTION | PART NUMBER |

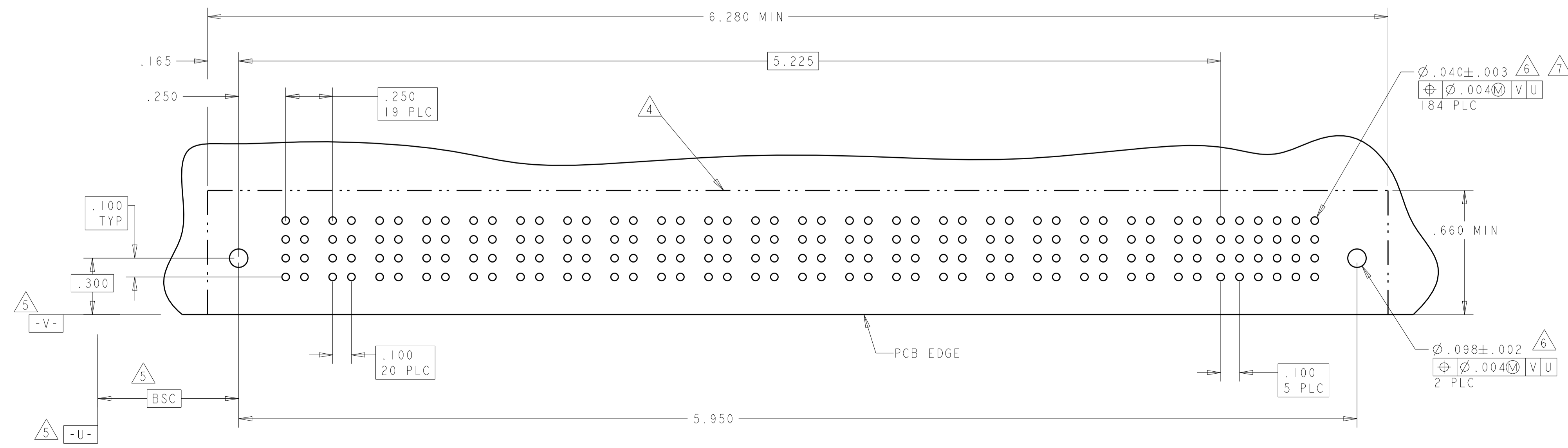
| | | | | |
|---|--|---|--------------------|---|
| THIS DRAWING IS A CONTROLLED DOCUMENT. | | DWN R. GRZYBOWSKI CHK M. PERCHERKE | 02FEB05 02FEB05 |  TE Connectivity |
| DIMENSIONS: INCHES | | TOLERANCES UNLESS OTHERWISE SPECIFIED: 0 PLC ±. 1 PLC ±.01 2 PLC ±.01 3 PLC ±.005 4 PLC ±.0020 ANGLES ±.2 | | |
|  | | APVD M. PERCHERKE | | PRODUCT SPEC 108-1973 APPLICATION SPEC 114-13038 |
| MATERIAL | | FINISH | | SIZE CAGE CODE DRAWING NO A100779C=6450122 |
| | | WEIGHT | | RESTRICTED TO - |
| | | CUSTOMER DRAWING | | SCALE 4:1 SHEET 2 OF 10 REV E9 |

| PART NUMBER | ROWS | POWER | | | | | | | SIGNAL | | | | | | | | | |
|-------------|------------------|-------|----|----|----|----|----|----|--------|---|---|---|---|---|---|---|---|----|
| | | P1 | P2 | P3 | P4 | P5 | P6 | P7 | 1 | 2 | 3 | 4 | 5 | 6 | 7 | 8 | 9 | 10 |
| 6450122-8 | D C B A | PM | PM | PM | PM | PM | PM | PM | J | J | J | J | J | J | J | J | J | J |
| | | | | | | | | | K | K | K | K | K | K | K | K | K | K |
| | | | | | | | | | N | N | N | N | N | N | N | N | N | N |
| | | | | | | | | | S | S | S | S | S | S | S | S | S | S |
| 7P + 40S | | | | | | | | | | | | | | | | | | |

| PART NUMBER | ROWS | POWER | | SIGNAL | | | | | |
|-------------|------------------|-------|----|--------|---|---|---|---|---|
| | | P1 | P2 | 1 | 2 | 3 | 4 | 5 | 6 |
| 1-6450122-0 | D C B A | PM | PM | J | J | J | J | J | J |
| | | | | K | K | K | K | K | K |
| | | | | N | N | N | N | N | N |
| | | | | S | S | S | S | S | S |
| 2P + 24S | | | | | | | | | |



| PART NUMBER | ROWS | POWER | | | | | | | | | | | | | | | | | | | | SIGNAL | | | | | |
|-------------|------------------|-------|----|----|----|----|----|----|----|----|-----|-----|-----|-----|-----|-----|-----|-----|-----|-----|-----|--------|---|---|---|---|---|
| | | P1 | P2 | P3 | P4 | P5 | P6 | P7 | P8 | P9 | P10 | P11 | P12 | P13 | P14 | P15 | P16 | P17 | P18 | P19 | P20 | 1 | 2 | 3 | 4 | 5 | 6 |
| 1-6450122-1 | D C B A | PM | PM | PM | PM | PM | PM | PM | PM | PM | PM | PM | PM | PM | PM | PM | PM | PM | PM | PM | PM | J | J | J | J | J | J |
| | | | | | | | | | | | | | | | | | | | | | | K | K | K | K | K | K |
| | | | | | | | | | | | | | | | | | | | | | | N | N | N | N | N | N |
| | | | | | | | | | | | | | | | | | | | | | | S | S | S | S | S | S |
| 20P + 24S | | | | | | | | | | | | | | | | | | | | | | | | | | | |

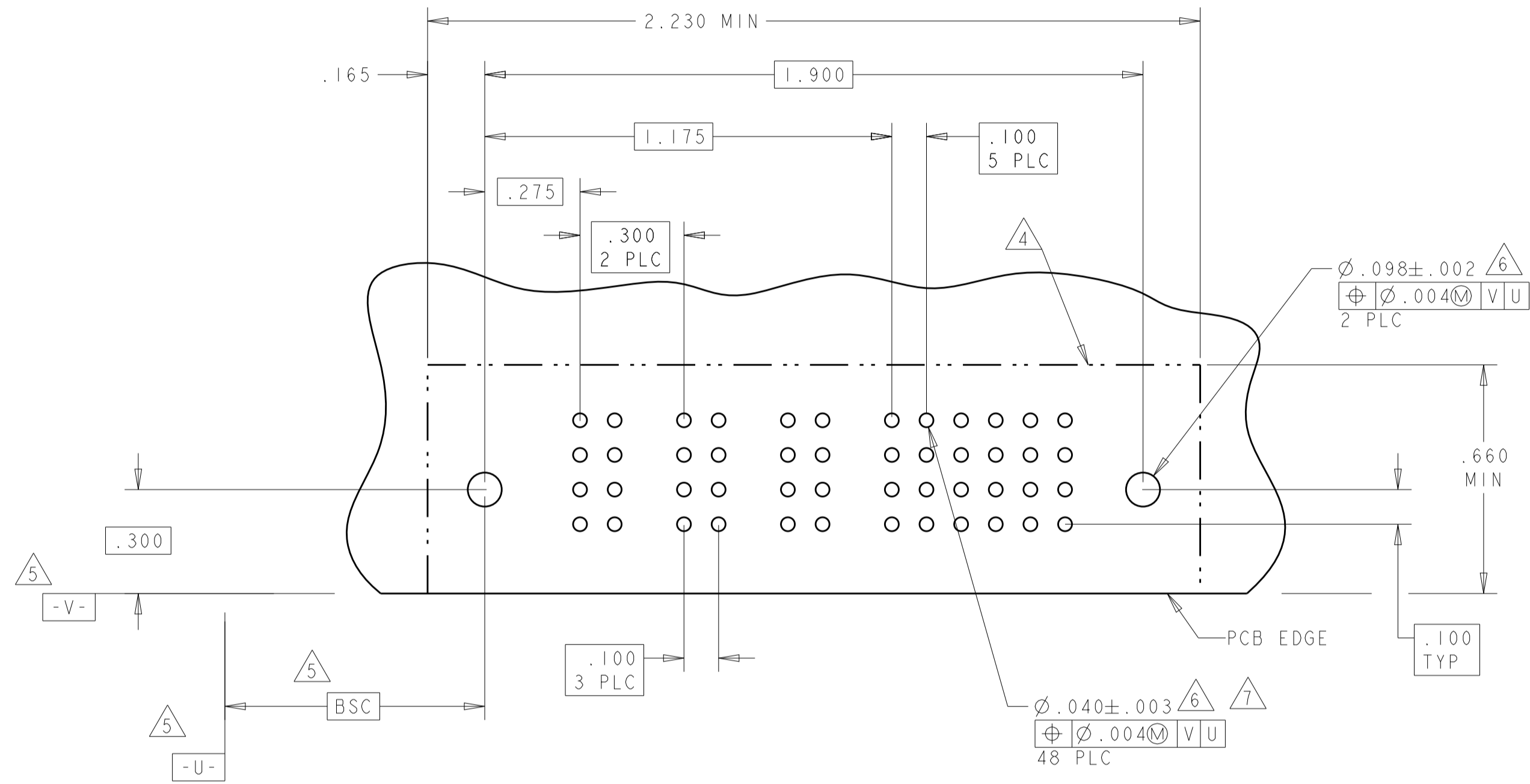


THIS DRAWING IS A CONTROLLED DOCUMENT.

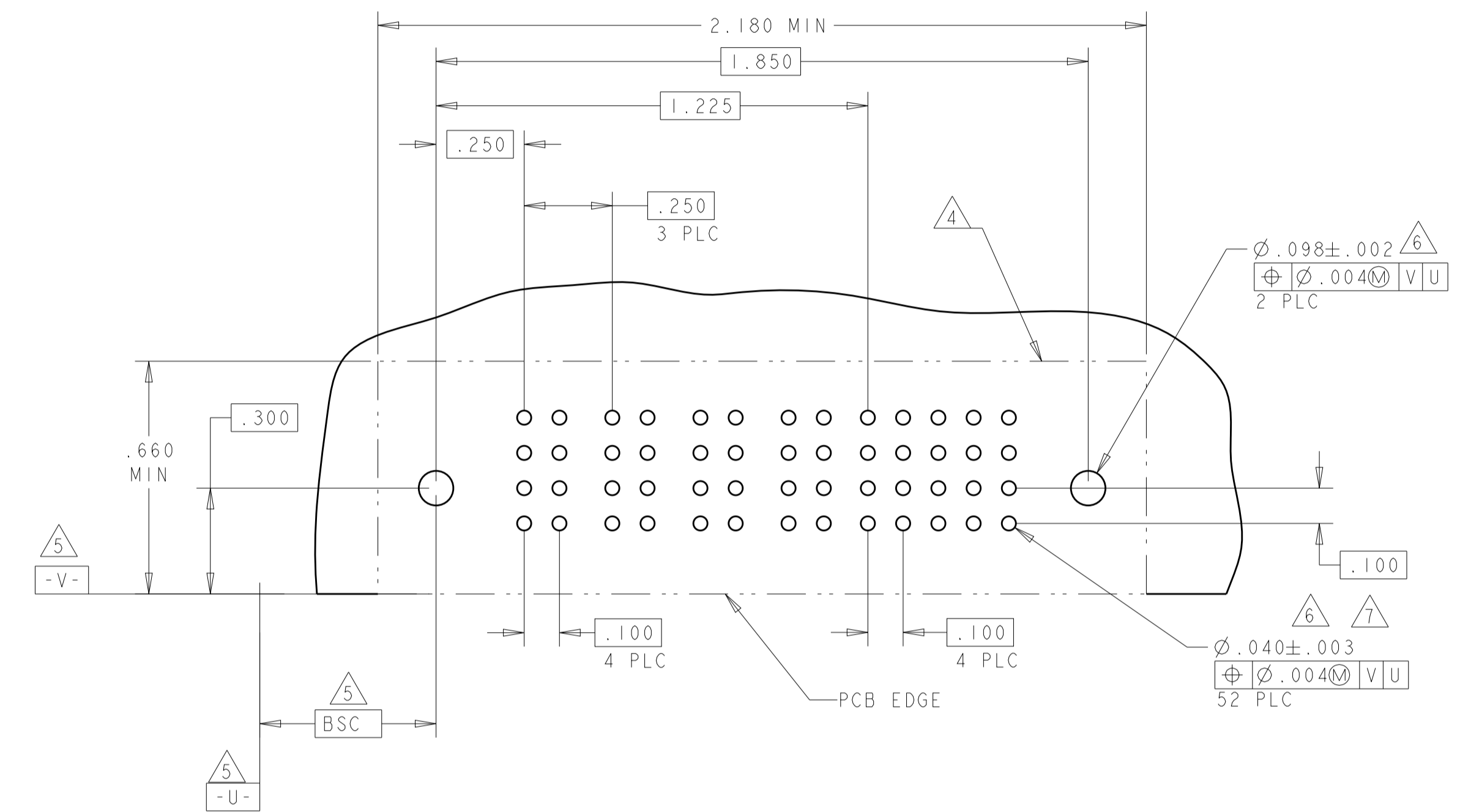
| | | | | | |
|-----------------------|--|---|-----------------------------|---------|--|
| DIMENSIONS: INCHES | TOLERANCES UNLESS OTHERWISE SPECIFIED: 0 PLC ±. 1 PLC ±.01 3 PLC ±.01 4 PLC ±.0020 ANGLES ±.2 | OWN: R. GRZYBOWSKI CHK: M. PERCHERKE APVD: M. PERCHERKE | 02FEB05 02FEB05 | | TE Connectivity |
| MATERIAL: | FINISH: | PRODUCT SPEC: 108-1973 | APPLICATION SPEC: 114-13038 | | NAME: RIGHT ANGLE HEADER ASSY W/GUIDES MULTI-BEAM XL |
| CUSTOMER DRAWING | | SCALE: 4:1 | SHEET 4 OF 10 | REV: E9 | |

| LOC | DIST | REVISIONS | | | | | |
|-----|------|-----------|-----|-------------|------|-----|------|
| GP | 00 | P | LTN | DESCRIPTION | DATE | DMN | APVD |
| | | - | | SEE SHEET 1 | | | |

| PART NUMBER | ROWS | POWER | | | SIGNAL | | | | | | |
|-------------|------|-------|----|----|--------|---|---|---|---|---|--|
| | | P1 | P2 | P3 | 1 | 2 | 3 | 4 | 5 | 6 | |
| 1-6450122-2 | D | PM | PM | PM | J | J | J | J | J | J | |
| | C | | | | K | K | K | K | K | K | |
| | B | | | | N | N | N | N | N | N | |
| | A | | | | S | S | S | S | S | S | |
| 3ACP + 24S | | | | | | | | | | | |

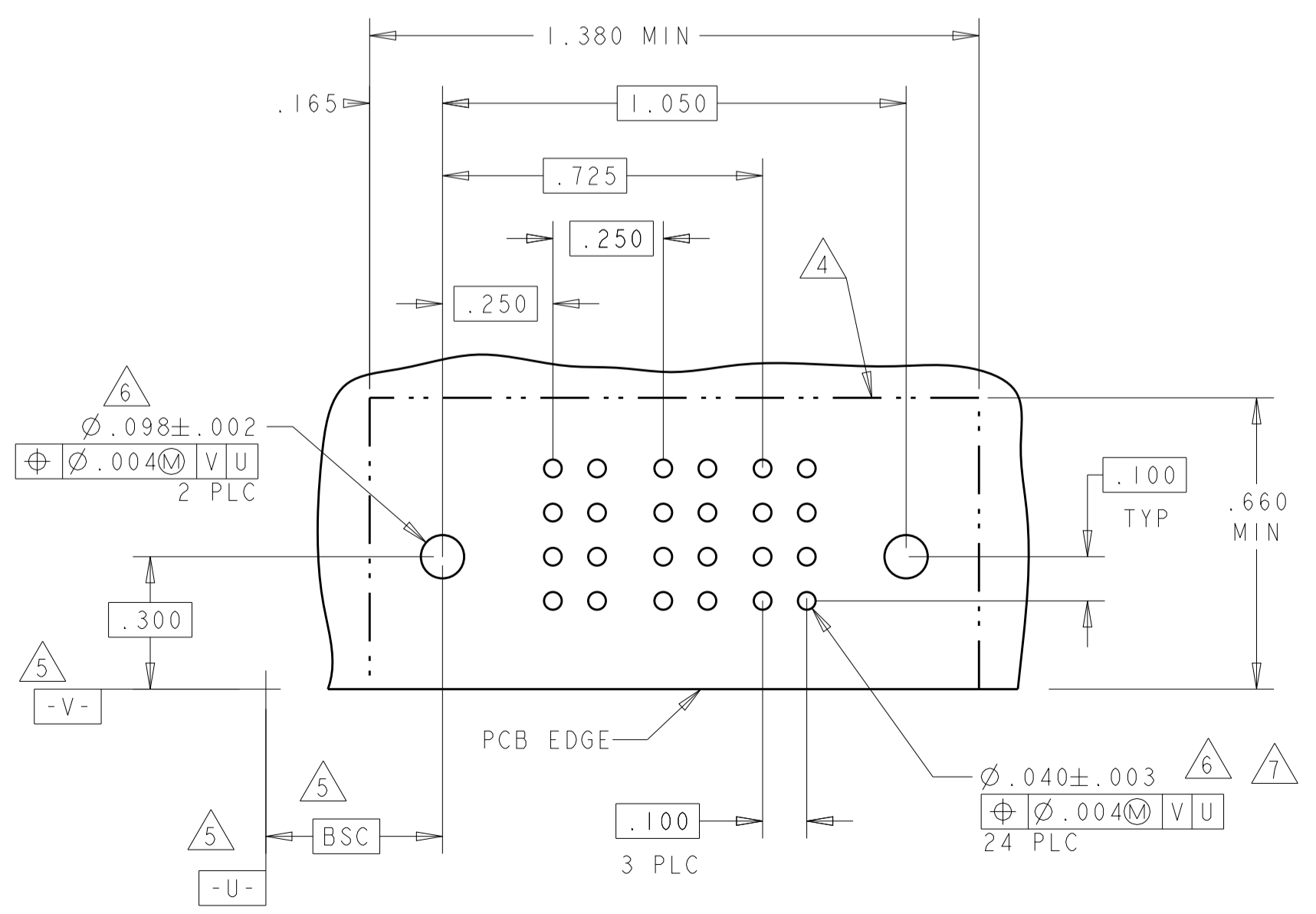


| PART NUMBER | ROWS | POWER | | | | SIGNAL | | | | | |
|-------------|------|-------|----|----|----|--------|---|---|---|---|--|
| | | P1 | P2 | P3 | P4 | 1 | 2 | 3 | 4 | 5 | |
| 1-6450122-9 | D | PM | PM | PM | PM | J | J | J | J | J | |
| | C | | | | | K | K | K | K | K | |
| | B | | | | | N | N | N | N | N | |
| | A | | | | | S | S | S | S | S | |
| 4P + 20S | | | | | | | | | | | |

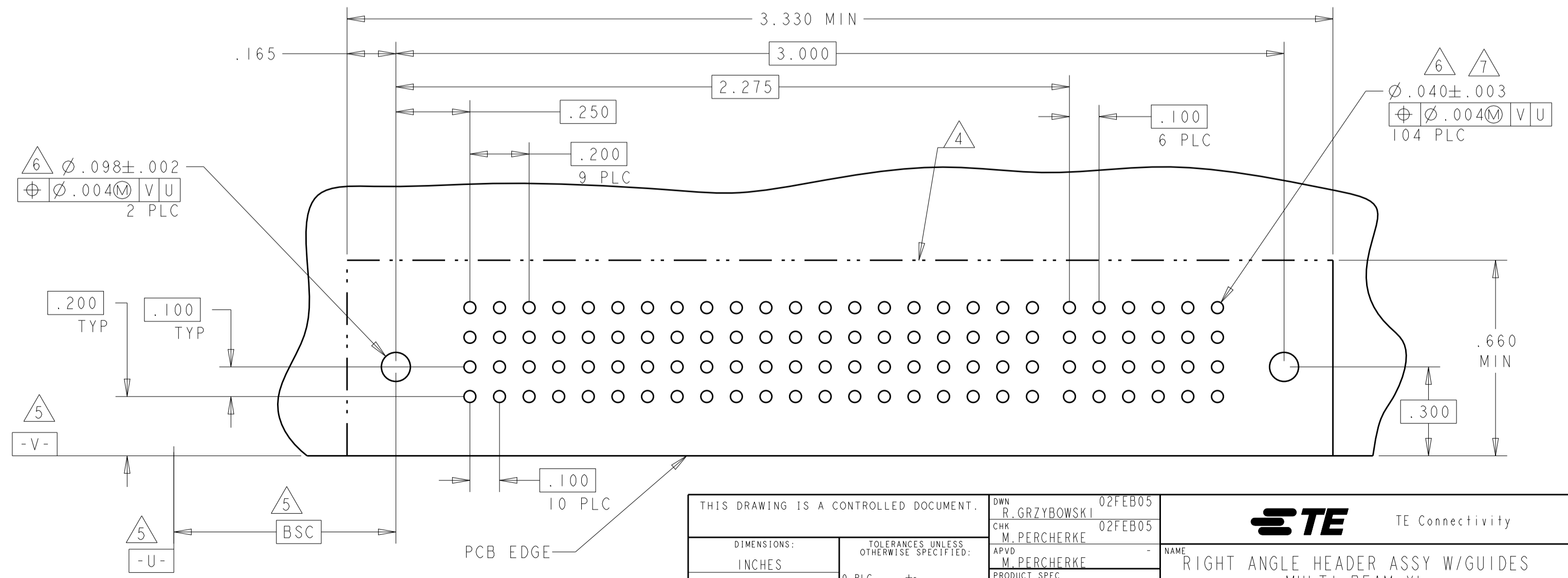


NO CONTACTS LOADED

| PART NUMBER | ROWS | POWER | | SIGNAL | |
|-------------|------|-------|----|--------|---|
| | | P1 | P2 | 1 | 2 |
| 1-6450122-6 | D | PM | PM | J | J |
| | C | | | K | K |
| | B | | | N | N |
| | A | | | S | S |
| 2P + 8S | | | | | |



| PART NUMBER | ROWS | POWER | | | | | | | | | | SIGNAL | | | | | | |
|-------------|------|-------|----|----|----|----|----|----|----|----|-----|--------|---|---|---|---|---|---|
| | | P1 | P2 | P3 | P4 | P5 | P6 | P7 | P8 | P9 | P10 | 1 | 2 | 3 | 4 | 5 | 6 | |
| 2-6450122-0 | D | PM | PM | PM | PM | PM | PM | PM | PM | PM | PM | J | J | J | J | J | J | |
| | C | | | | | | | | | | | K | K | K | K | K | K | K |
| | B | | | | | | | | | | | N | N | N | N | N | N | N |
| | A | | | | | | | | | | | S | S | S | S | S | S | S |
| 10P + 24S | | | | | | | | | | | | | | | | | | |



THIS DRAWING IS A CONTROLLED DOCUMENT.

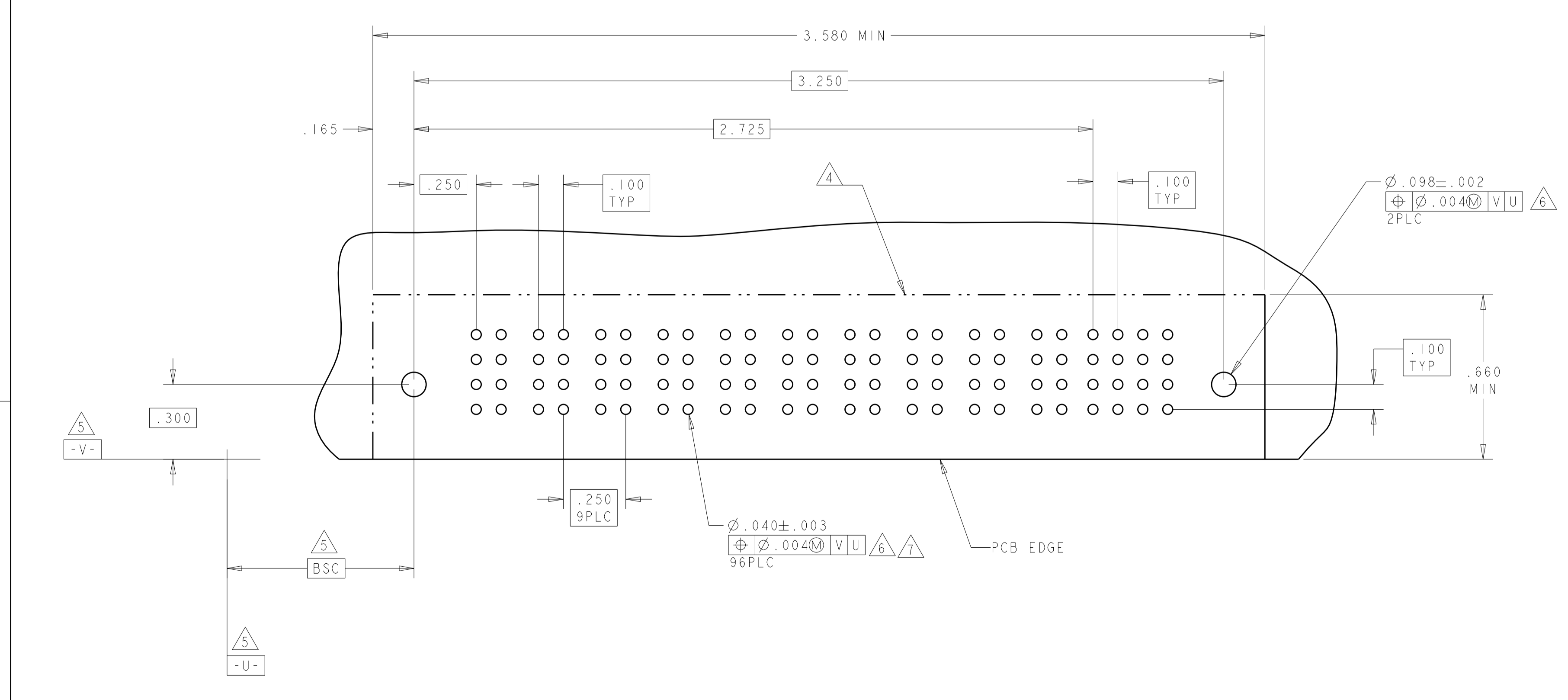
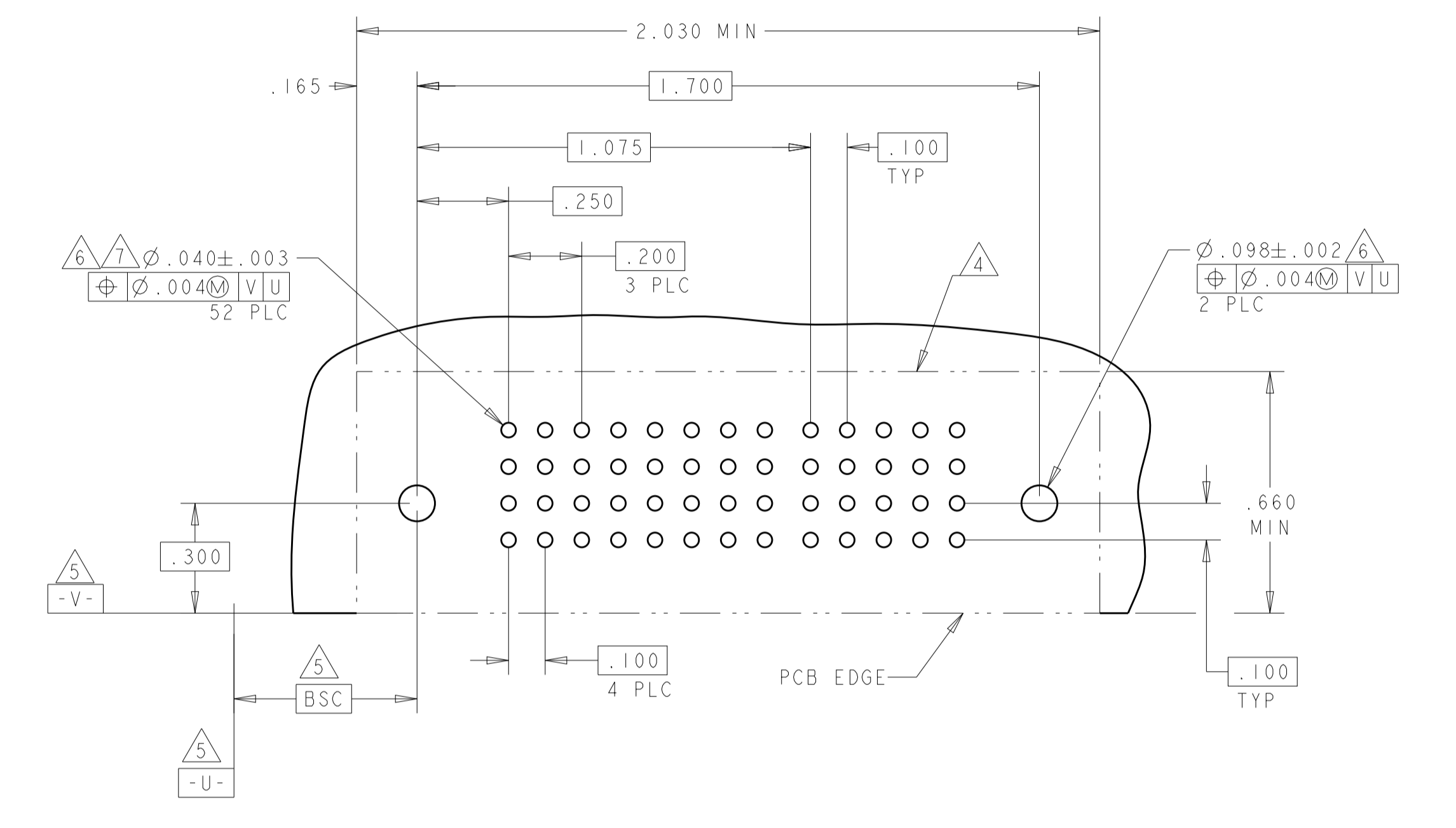
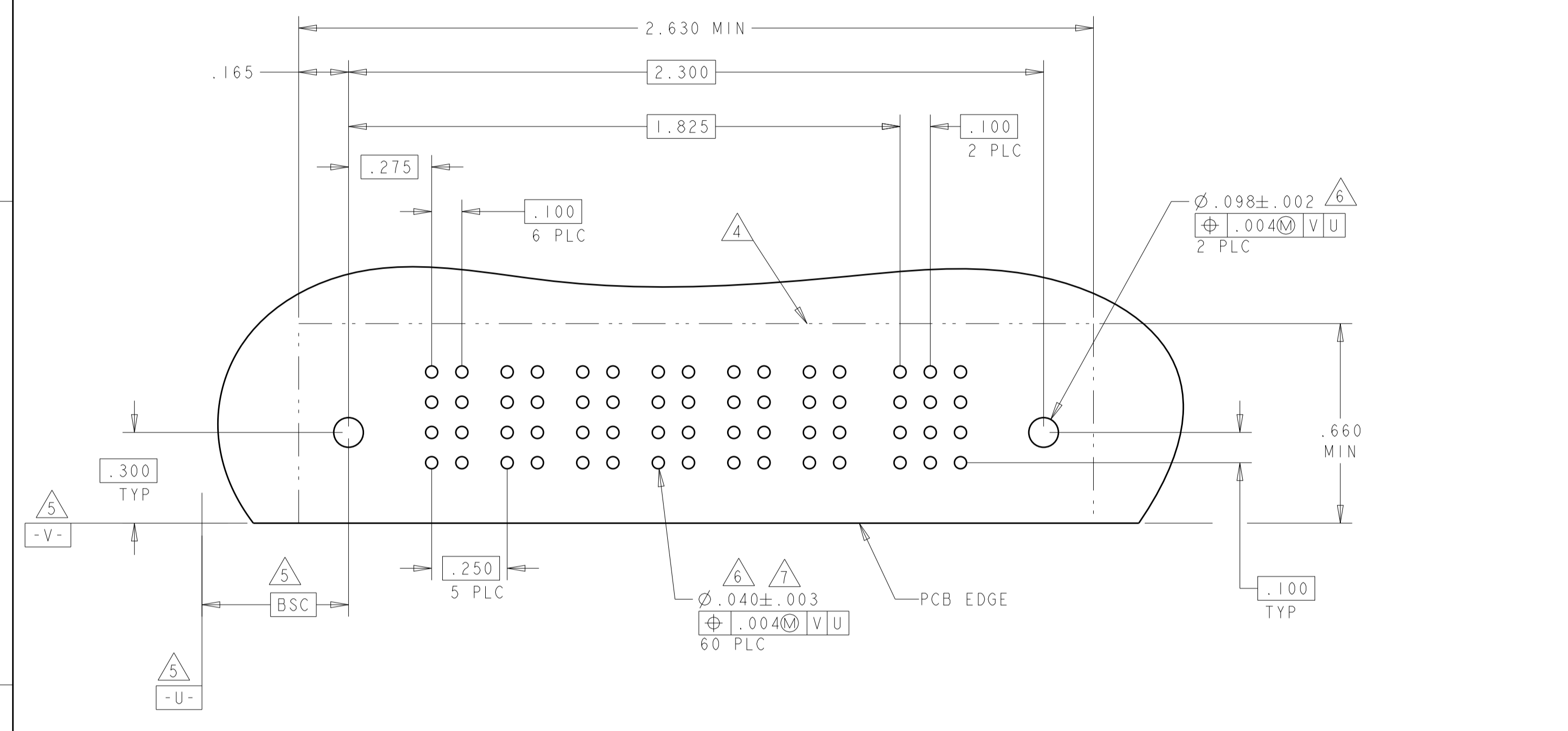
| | | | |
|-------------|--|----------------------------|--|
| DIMENSIONS: | TOLERANCES UNLESS OTHERWISE SPECIFIED: | OWN: R. GRZYBOWSKI 02FEB05 | NAME: RIGHT ANGLE HEADER ASSY W/GUIDES MULTI-BEAM XL |
| INCHES | 0 PLC ±.01 | CHK: M. PERCHERKE 02FEB05 | PRODUCT SPEC |
| | 1 PLC ±.01 | APVD: M. PERCHERKE | 108-1973 |
| | 2 PLC ±.01 | | APPLICATION SPEC |
| | 3 PLC ±.005 | | 114-13038 |
| | 4 PLC ±.002 | | WEIGHT |
| | ANGLES ±.002 | | SCALE 4:1 |
| MATERIAL | FINISH | | SHEET 5 OF 10 |
| | | | REV E 9 |

CUSTOMER DRAWING

| LOC | | DIST | | REVISIONS | | | |
|-----|----|------|-----|-------------|------|-----|------|
| GP | 00 | P | LTN | DESCRIPTION | DATE | OWN | APVD |
| | | | | SEE SHEET 1 | | | |

| PART NUMBER | ROWS | POWER | | | | | | SIGNAL | | |
|-------------|------|-------|----|----|----|----|----|--------|---|---|
| | | P1 | P2 | P3 | P4 | P5 | P6 | 1 | 2 | 3 |
| 1-6450122-7 | D | PM | PM | PM | PM | PM | PM | J | J | J |
| | C | | | | | | | K | K | K |
| | B | | | | | | | N | N | N |
| | A | | | | | | | S | S | S |
| 6P + 12S | | HD | | HD | | | | | | |

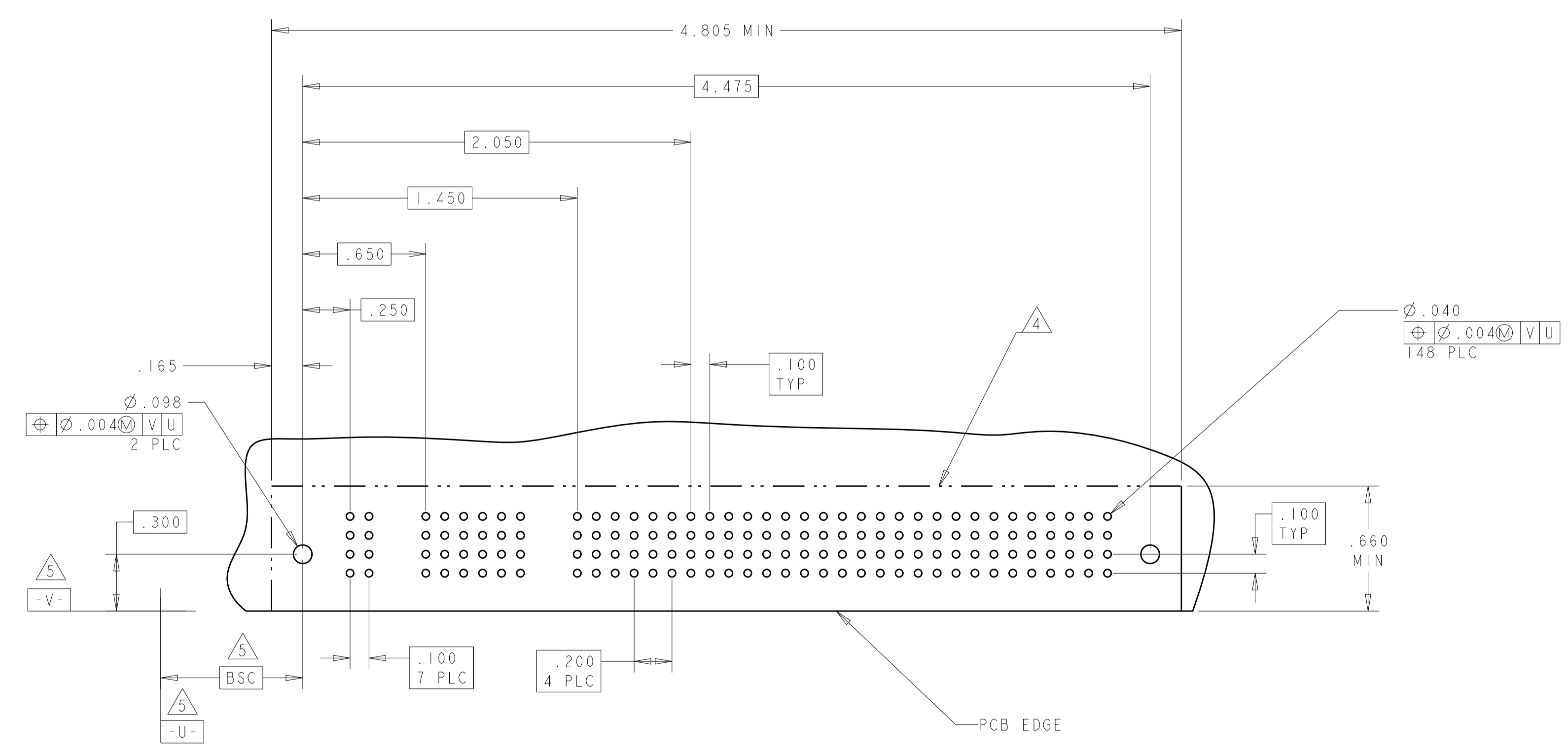
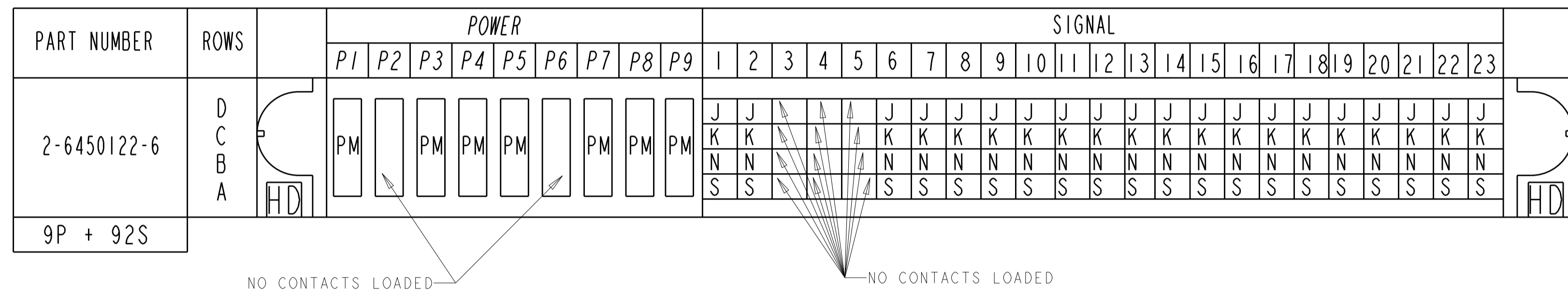
| PART NUMBER | ROWS | POWER | | | | SIGNAL | | | | |
|-------------|------|-------|----|----|----|--------|---|---|---|---|
| | | P1 | P2 | P3 | P4 | 1 | 2 | 3 | 4 | 5 |
| 2-6450122-1 | D | PM | PM | PM | PM | J | J | J | J | J |
| | C | | | | | K | K | K | K | |
| | B | | | | | N | N | N | N | |
| | A | | | | | H | H | H | H | |
| 4P + 20S | | HD | | HD | | | | | | |



| PART NUMBER | ROWS | POWER | | | | | | | | | | SIGNAL | | | |
|-------------|------|-------|----|----|----|----|----|----|----|----|-----|--------|---|---|---|
| | | P1 | P2 | P3 | P4 | P5 | P6 | P7 | P8 | P9 | P10 | 1 | 2 | 3 | 4 |
| 2-6450122-2 | D | PM | PM | PM | PM | PM | PM | PM | PM | PM | PM | J | J | J | J |
| | C | | | | | | | | | | | K | K | K | K |
| | B | | | | | | | | | | | N | N | N | N |
| | A | | | | | | | | | | | S | S | S | S |
| 10P + 16S | | HD | | HD | | | | | | | | | | | |

THIS DRAWING IS A CONTROLLED DOCUMENT. DIMENSIONS: INCHES. TOLERANCES UNLESS OTHERWISE SPECIFIED: 0 PLC ±.01, 1 PLC ±.01, 2 PLC ±.01, 3 PLC ±.005, 4 PLC ±.0020, ANGLES ±.2. MATERIAL: FINISH: THIS DRAWING IS A CONTROLLED DOCUMENT. DWG: R.GRZYBOWSKI 02FEB05, CHK: M.PERCHEKKE 02FEB05, APVD: M.PERCHEKKE. PRODUCT SPEC: 108-1973, APPLICATION SPEC: 114-13038, WEIGHT: CUSTOMER DRAWING. NAME: RIGHT ANGLE HEADER ASSY W/GUIDES MULTI-BEAM XL. SIZE: CAGE CODE: DRAWING NO: A100779, DRAWING NO: C=6450122. SCALE: 4:1, SHEET 6 OF 10, REV: E9.

| LOC | DIST | REVISIONS | | | |
|-----|------|-------------|------|-----|------|
| P | LTN | DESCRIPTION | DATE | DWN | APVD |
| - | - | SEE SHEET 1 | - | - | - |
| | | | | | |
| | | | | | |

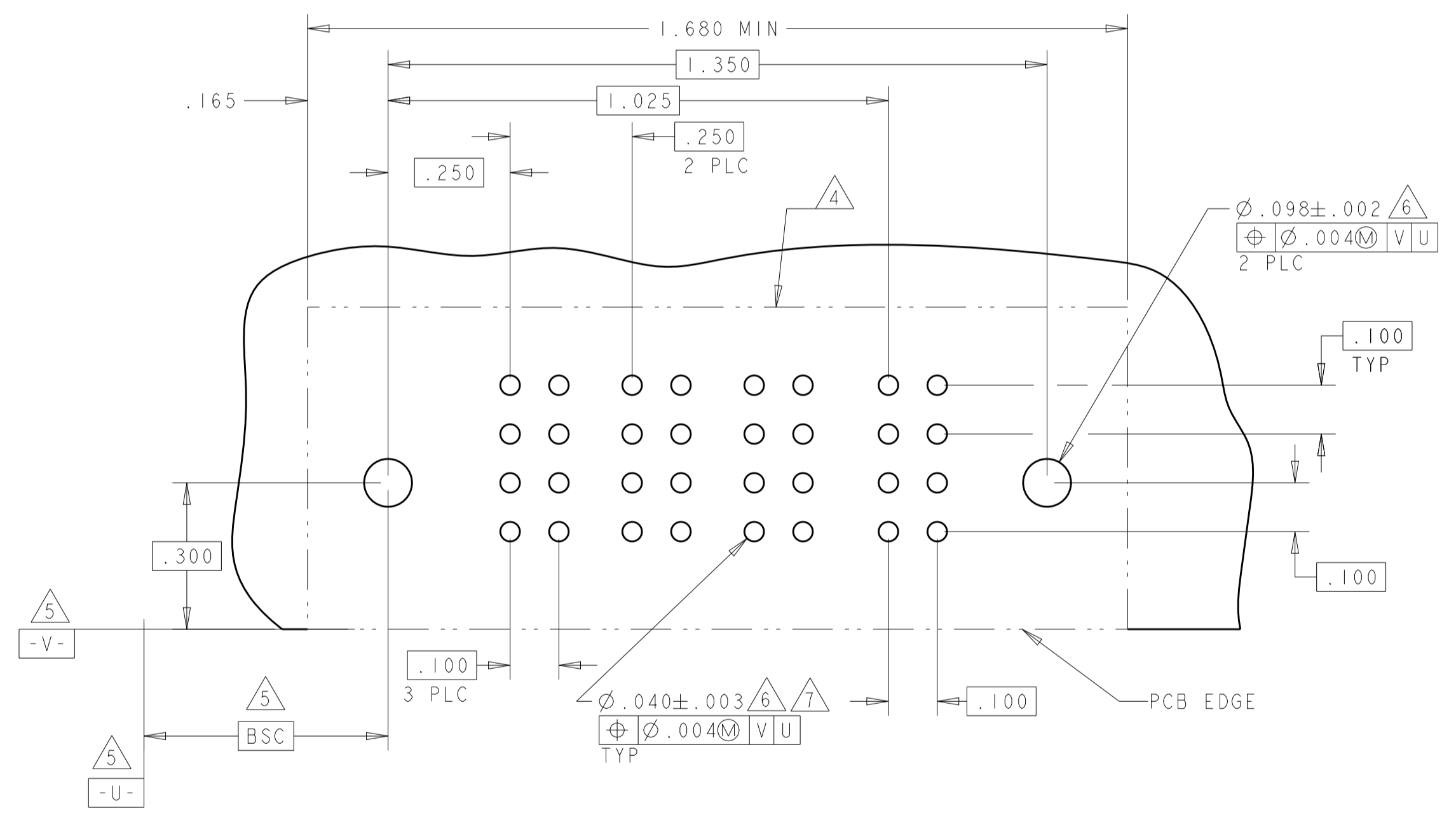
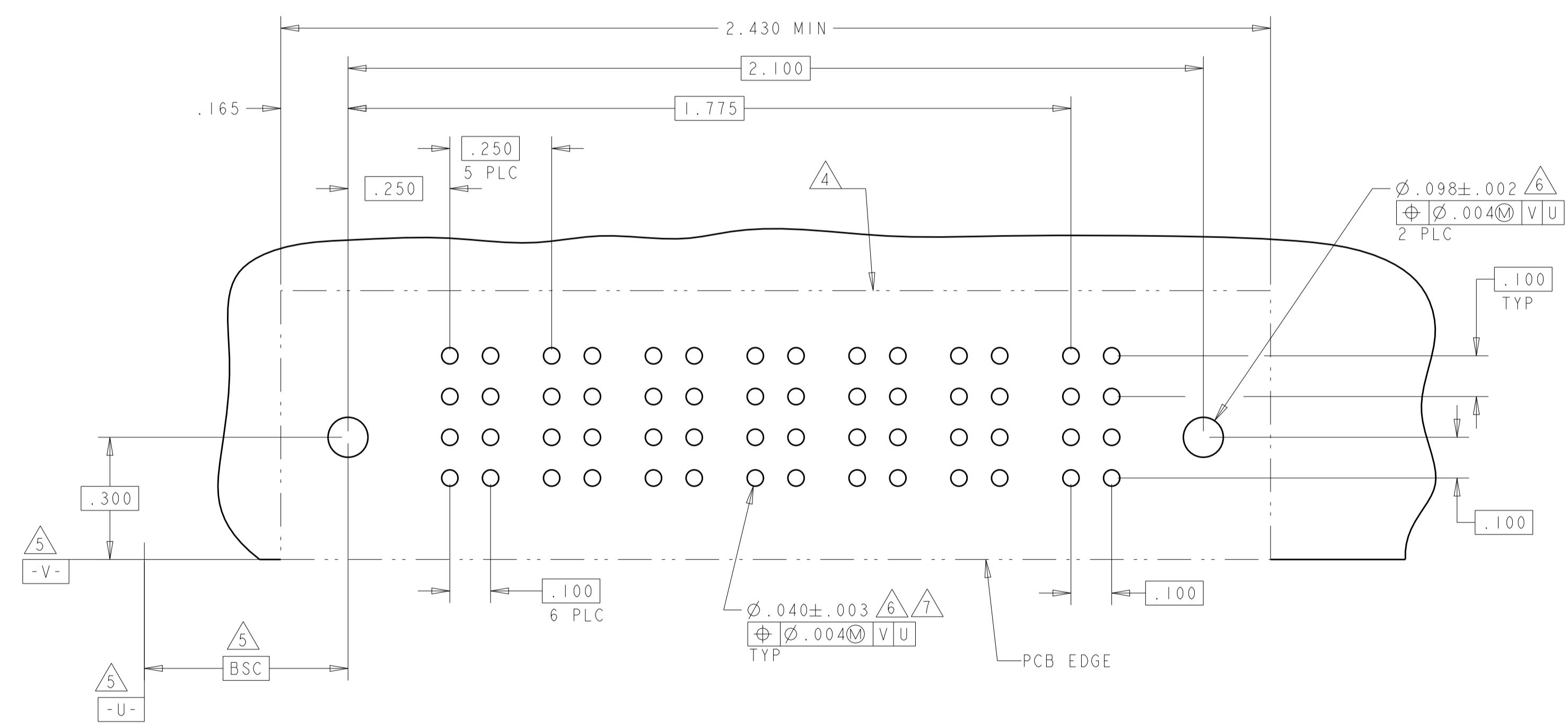


| | | | |
|---|--|----------------------------|--|
| THIS DRAWING IS A CONTROLLED DOCUMENT. | | DWN: R. GRZYBOWSKI 02FEB05 | TE Connectivity |
| DIMENSIONS: INCHES | | CHK: M. PERCHERKE 02FEB05 | |
| TOLERANCES UNLESS OTHERWISE SPECIFIED: 0 PLC ±. 1 PLC ±.01 2 PLC ±.01 3 PLC ±.005 4 PLC ±.0020 ANGLES ±.2 | | APVD: M. PERCHERKE | NAME: RIGHT ANGLE HEADER ASSY W/GUIDES MULTI-BEAM XL |
| MATERIAL: - | | FINISH: - | PRODUCT SPEC: 108-1973 |
| SCALE: 4:1 | | WEIGHT: - | APPLICATION SPEC: 114-13038 |
| SHEET 8 OF 10 | | RESTRICTED TO: - | SIZE: A1 |
| CUSTOMER DRAWING | | SCALE: 4:1 | CAGE CODE: 6450122 |
| REV: E9 | | DATE: - | |

| LOC | | DIST | | REVISONS | | | |
|-----|----|------|-----|-------------|------|-----|------|
| GP | 00 | P | LYR | DESCRIPTION | DATE | DMN | APVD |
| | | - | | SEE SHEET 1 | | | |

| PART NUMBER | ROWS | POWER | | | | | | SIGNAL | |
|-------------|------------------|-------|----|----|----|----|----|------------------|------------------|
| | | P1 | P2 | P3 | P4 | P5 | P6 | 1 | 2 |
| 2-6450122-7 | D C B A | PM | PM | PM | PM | PM | PM | J K N S | J K N S |
| 6P + 8S | | | | | | | | | |

| PART NUMBER | ROWS | POWER | | | SIGNAL | |
|-------------|------------------|-------|----|----|------------------|------------------|
| | | P1 | P2 | P3 | 1 | 2 |
| 2-6450122-8 | D C B A | PM | PM | PM | J K N S | J K N S |
| 3P + 8S | | | | | | |

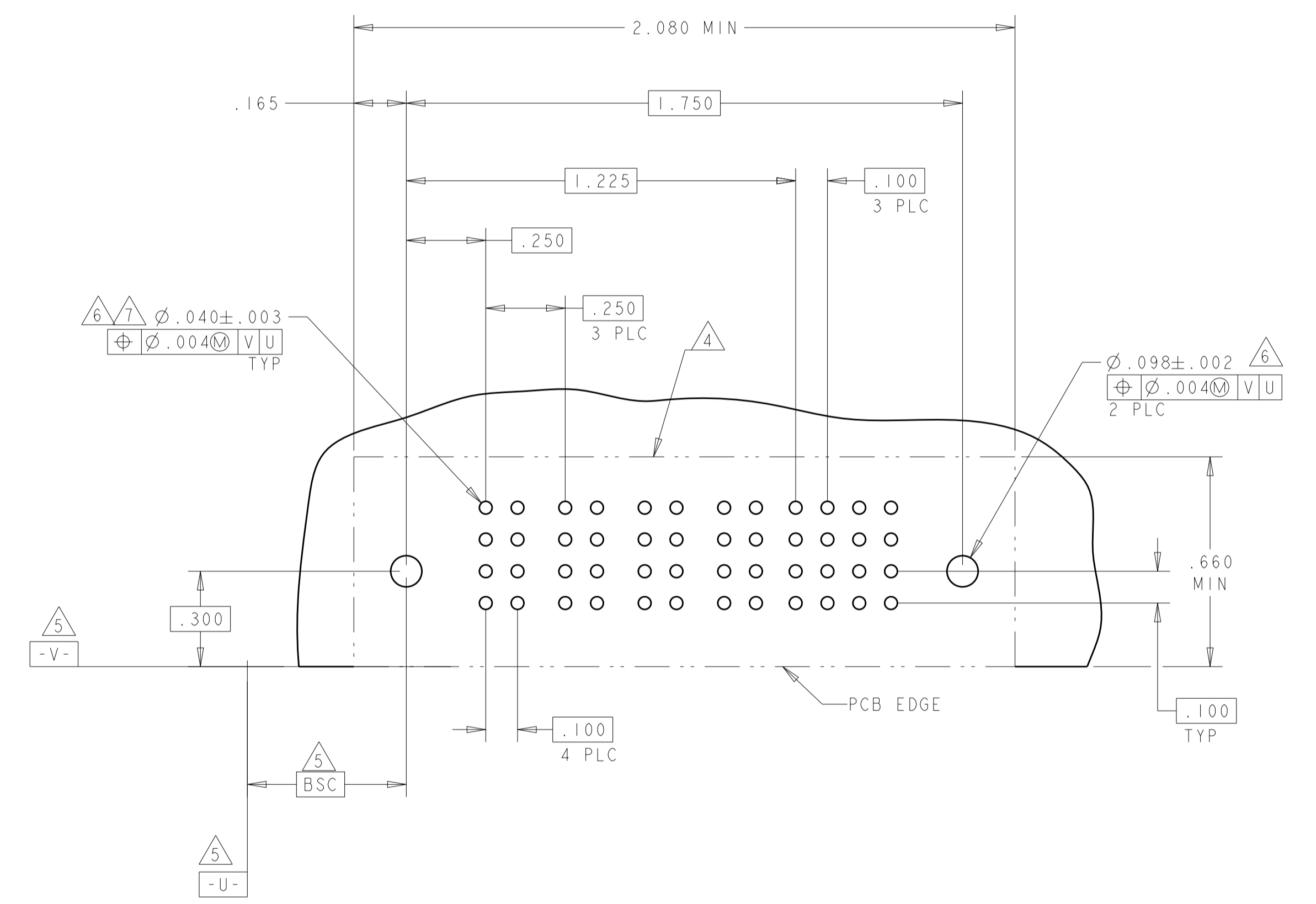
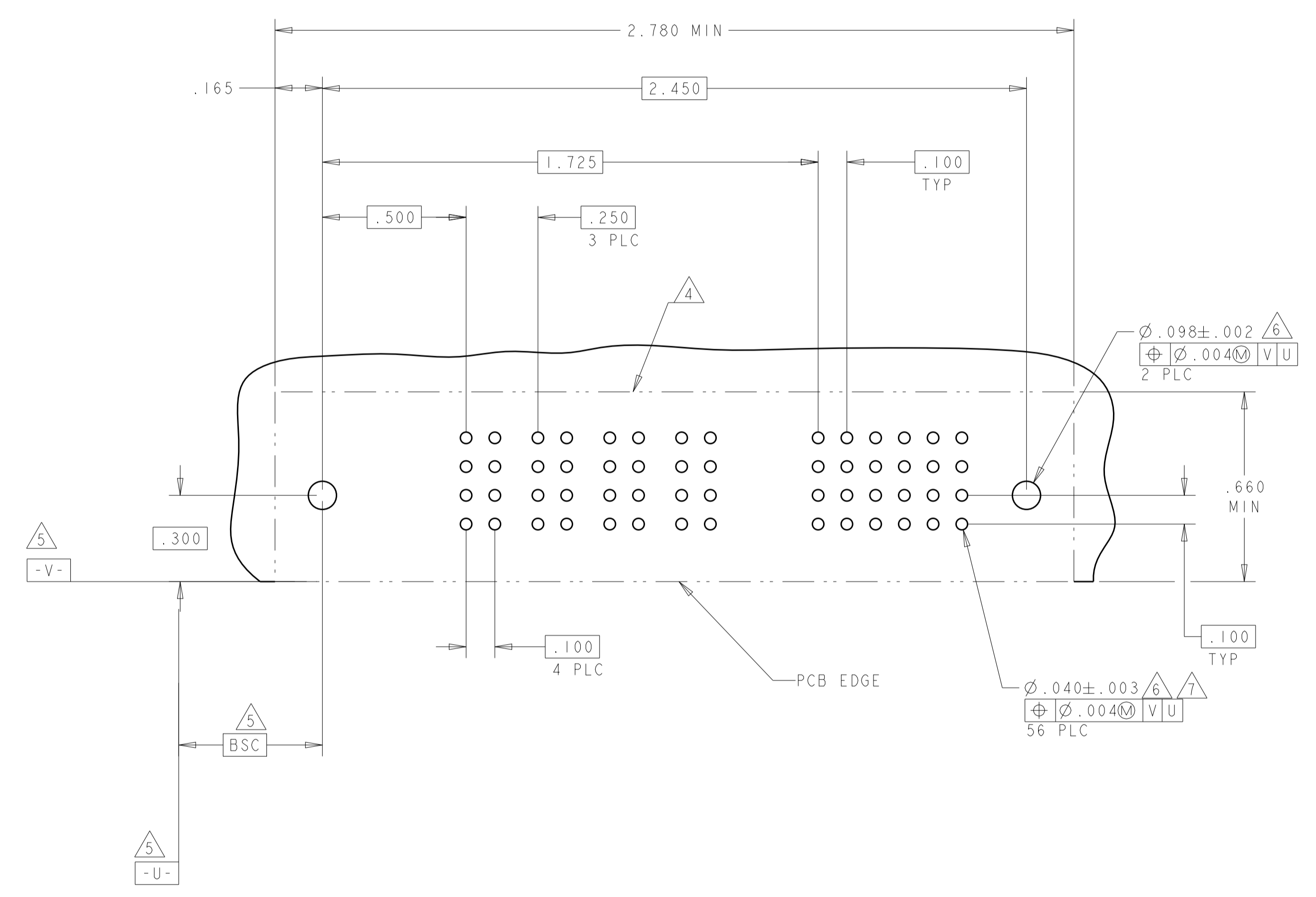


| | | | |
|--|--------------|-----------------------------|--|
| THIS DRAWING IS A CONTROLLED DOCUMENT. | | DMN: R. GRZYBOWSKI 02FEB05 | TE Connectivity |
| DIMENSIONS: INCHES | | CHK: M. PERCHERKE 02FEB05 | |
| TOLERANCES UNLESS OTHERWISE SPECIFIED: | | APVD: M. PERCHERKE | NAME: RIGHT ANGLE HEADER ASSY W/GUIDES MULTI-BEAM XL |
| 0 PLC ± .01 | 1 PLC ± .01 | PRODUCT SPEC: 108-1973 | SIZE: 114-13038 |
| 2 PLC ± .01 | 3 PLC ± .005 | APPLICATION SPEC: 114-13038 | RESTRICTED TO: A100779C=6450122 |
| 4 PLC ± .0020 | ANGLES ± .2 | WEIGHT: - | SCALE: 4:1 SHEET 9 OF 10 REV: E9 |
| MATERIAL: - | FINISH: - | CUSTOMER DRAWING | |

| LOC | DIST | REV | DATE | BY | APPV |
|-------------|------|-----|-------------|----|------|
| GP | 00 | | | | |
| REVISIONS | | | | | |
| DESCRIPTION | | | SEE SHEET 1 | | |

| PART NUMBER | ROWS | POWER | | | | | | SIGNAL | | | | | |
|-------------|------|--------------------|----|----|----|----|----|--------|---|---|---|---|---|
| | | P1 | P2 | P3 | P4 | P5 | P6 | 1 | 2 | 3 | 4 | 5 | 6 |
| 2-6450122-9 | D | | | | | | | J | J | J | J | J | J |
| | C | | | | | | | K | K | K | K | K | K |
| | B | | | | | | | N | N | N | N | N | N |
| A | | | | | | | S | S | S | S | S | S | |
| 6P + 24S | | NO CONTACTS LOADED | | | | | | | | | | | |

| PART NUMBER | ROWS | SIGNAL | | | | | | | |
|-------------|------|--------|----|----|----|---|---|---|---|
| | | P1 | P2 | P3 | P4 | 1 | 2 | 3 | 4 |
| 3-6450122-0 | D | | | | | J | J | J | J |
| | C | | | | | K | K | K | K |
| | B | | | | | N | N | N | N |
| A | | | | | S | S | S | S | |
| 4P + 16S | | | | | | | | | |



| | | | |
|---|--|-----------------------------|--|
| THIS DRAWING IS A CONTROLLED DOCUMENT. | | OWN: R. GRZYBOWSKI 02FEB05 | TE Connectivity |
| DIMENSIONS: INCHES | | CHK: M. PERCHERKE 02FEB05 | |
| TOLERANCES UNLESS OTHERWISE SPECIFIED: | | APVD: M. PERCHERKE | NAME: RIGHT ANGLE HEADER ASSY W/GUIDES MULTI-BEAM XL |
| 0 PLC ± .01 1 PLC ± .01 2 PLC ± .01 3 PLC ± .005 4 PLC ± .0020 ANGLES ± .2 | | PRODUCT SPEC: 108-1973 | SIZE: A1 |
| MATERIAL: - | | APPLICATION SPEC: 114-13038 | CAGE CODE: C=6450122 |
| FINISH: - | | WEIGHT: - | DRAWING NO: 100779 |
| | | CUSTOMER DRAWING | SCALE: 4:1 SHEET 10 OF 10 REV: E9 |

X-ON Electronics

Largest Supplier of Electrical and Electronic Components

Click to view similar products for [Power to the Board](#) category:

Click to view products by [TE Connectivity](#) manufacturer:

Other Similar products are found below :

[10131318-08512GRLF](#) [6450171-4](#) [6450552-7](#) [6600323-8](#) [6643429-1](#) [6646040-2](#) [6651939-1](#) [6766604-1](#) [120959-1](#) [1393557-2](#) [1393532-2](#)
[1393532-3](#) [1393532-4](#) [1393557-1](#) [1600812-5](#) [1-6450861-2](#) [1645595-1](#) [1743490-1](#) [1744132-7](#) [1761122-1](#) [1766169-1](#) [1766250-1](#) [18362](#)
[1892109-1](#) [1-967627-6](#) [2226808-1](#) [2-6450860-5](#) [2-6450860-6](#) [2-6450870-0](#) [93003-0502](#) [953552-1](#) [1-6450161-4](#) [1-6450850-6](#) [1645526-2](#) [1-](#)
[6600130-0](#) [1743419-1](#) [1766150-1](#) [2005243-2](#) [211110-1](#) [2-6600130-2](#) [TE34-12-16P-F0](#) [51700-10201602AALF](#) [5-6450830-6](#) [5646956-4](#)
[36662-0005](#) [40585-3000](#) [4-6450830-9](#) [4-6600333-3](#) [51142-0214](#) [10125416-4050LF](#)