

Crystal Units

Surface Mount Leded Type CX49GFNB (CX-49G)



for Consumer Products



RoHS Compliant

Features

- Crystal unit for Consumer Products
- Metal package, leaded type
- A resistance weld hermetic sealed type
- Suitable for high density assembly and mass production
- Also compatible with automotive applications

Applications

- Digital Electronics
- Consumer Products
- Car audio and accessories

How to Order

CX49GFNB 03579 □□ □ □ □ □ □ □

- ① Series
- ② Frequency
- ③ Load Capacitance
- ④ Frequency Stability
- ⑤ Operating Temp. Range
- ⑥ Frequency Temp. Stability
- ⑦ Individual Specification

HO	12 pF	Std.	P	$\pm 50 \times 10^{-6}$	Std.
ES	-10 to +70°C			$\pm 50 \times 10^{-6}$	Std.

Packaging (Tape & Reel 1000 pcs./ reel)

Specifications

Item	Symbol	Specification		Units	Remarks
Frequency Range	f _{nom}	3200 to 33999	34 to 60 (MHz)	kHz	
Overtone Order	OT	Fundamental	3rd. Overtone	—	
Load Capacitance	CL	12		pF	
Frequency Stability	f _{tol}	± 50		$\times 10^{-6}$	25°C $\pm 3^\circ\text{C}$
Motional Series Resistance	R1	Table 1		ohm	
Drive Level	DL	Table 2		μW	
Operating Temp. Range	T _{use}	-10 to +70		°C	
Storage Temp. Range	T _{stg}	-40 to +85		°C	
Frequency Temp. Characteristics	f _{tem}	± 50		$\times 10^{-6}$	Freq. deviation from the value at 25°C

* Please contact us for other specifications.

Table1 Motional Series Resistance Table2 Level of Drive

Frequency Range	Motional Series Resistance	Frequency Range	Level of Drive
3200 to 3499kHz	300Ω max.	3200 to 15999kHz	10μW (500μW max.)
3500 to 4099kHz	150Ω max.	16000 to 24999kHz	10μW (300μW max.)
4100 to 4799kHz	120Ω max.	25000 to 33999kHz	10μW (100μW max.)
4800 to 4999kHz	100Ω max.	34 to 60MHz	10μW (300μW max.)
5000 to 7999kHz	80Ω max.		
8000 to 11999kHz	60Ω max.		
12000 to 33999kHz	50Ω max.		
*34 to 34.9MHz	150Ω max.		
*35 to 60MHz	100Ω max.		

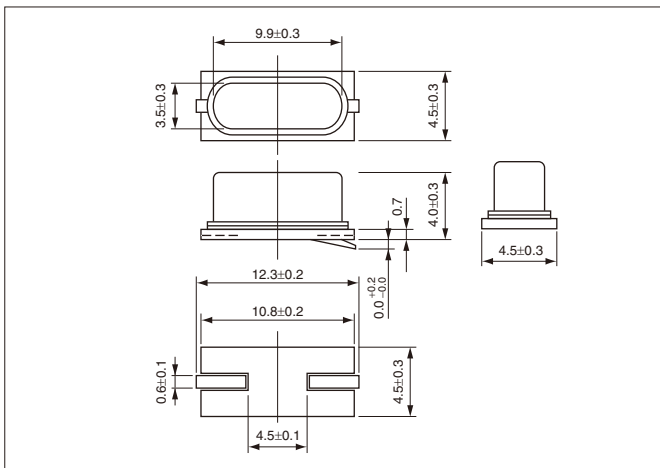
* 3rd Overtone

Typical Frequencies and Part Numbers

Frequency (kHz)	Part Number
3200.000	CX49GFNB03200H0PESZ1
3579.545	CX49GFNB03579H0PESZ1
3686.400	CX49GFNB03686H0PESZ1
4000.000	CX49GFNB04000H0PESZ1
4194.304	CX49GFNB04194H0PESZ1
4332.000	CX49GFNB04332H0PESZ1
4433.619	CX49GFNB04433H0PESZ1
4500.000	CX49GFNB04500H0PESZ1
4915.200	CX49GFNB04915H0PESZ1
6000.000	CX49GFNB06000H0PESZ1
6144.000	CX49GFNB06144H0PESZ1
7200.000	CX49GFNB07200H0PESZ1
7372.800	CX49GFNB07372H0PESZ1
8000.000	CX49GFNB08000H0PESZ1
10000.000	CX49GFNB10000H0PESZ1
10738.635	CX49GFNB10738H0PESZ1
11000.000	CX49GFNB11000H0PESZ1
11059.200	CX49GFNB11059H0PESZ1
12000.000	CX49GFNB12000H0PESZ1
12288.000	CX49GFNB12288H0PESZ1
13500.000	CX49GFNB13500H0PESZ1
14318.180	CX49GFNB14318H0PESZ1
16000.000	CX49GFNB16000H0PESZ1
16934.400	CX49GFNB16934H0PESZ1
17280.000	CX49GFNB17280H0PESZ1
17734.476	CX49GFNB17734H0PESZ1
20000.000	CX49GFNB20000H0PESZ1
21477.270	CX49GFNB21477H0PESZ1
24000.000	CX49GFNB24000H0PESZ1
24576.000	CX49GFNB24576H0PESZ1
25000.000	CX49GFNB25000H0PESZ1
27000.000	CX49GFNB27000H0PESZ1

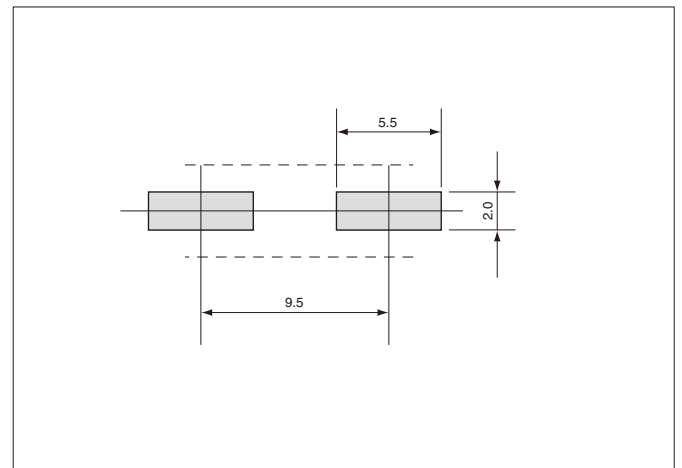
Dimensions

(Unit: mm)



Recommended Land Pattern

(Unit: mm)



X-ON Electronics

Largest Supplier of Electrical and Electronic Components

Click to view similar products for [Crystals](#) category:

Click to view products by [Kyocera](#) manufacturer:

Other Similar products are found below :

[CS325S24000000ABJT](#) [718-13.2-1](#) [MC405 32.0000K-R3:PURE SN](#) [FC-135R 32.7680KF-A3](#) [7A-40.000MAAE-T](#) [7B-27.000MBBK-T](#)
[FL2000085](#) [9B-15.360MBBK-B](#) [9C-7.680MBBK-T](#) [ASH7K-32.768KHZ](#) [AT-41.600MAGQ-T](#) [BTD1062E05A-513](#) [LFXTAL066198Cutt](#)
[9C-14.31818MBBK-T](#) [FA-238 50.0000MB30X-K3](#) [FC-12M 32.7680KA-AC3](#) [SSPT7F-9PF20-R](#) [FX325BS-38.88EEM1201](#)
[LFXTAL065253Cutt](#) [LFXTAL066431Cutt](#) [XT9S20ANA14M7456](#) [XT9SNLANA16M](#) [646G-24-2](#) [7A-24.576MBBK-T](#) [7B-30.000MBBK-T](#)
[WX26-32.768K-6PF](#) [9B-14.31818MBBK-B](#) [CD1AM](#) [7B-25.000MAAE-T](#) [7A-14.31818MBBK-T](#) [6504-202-1501](#) [6526-202-1501](#) [FA-118T](#)
[27.1200MB50P-K0](#) [FC-135R 32.7680KA-A3](#) [ABM12-104-37.400MHZT](#) [ABLS-10.000MHZ-D3W-T](#) [BTJ112E01E-513](#) [BTJ722K01C-7067](#)
[BTL-20-513](#) [TSX-3225 24.0000MF15X-AC](#) [TSX-3225 16.0000MF18X-AC](#) [BTJ120E02C](#) [BTL-12-513](#) [7A-10.000MBBK-T](#) [7A-](#)
[11.0592MBBK-T](#) [ABM12-103-24.000MHZT](#) [CS325S25000000ABJT](#) [ABM3B-25.000MHZ-B2-X-T](#) [FC-135 32.7680KA-A5](#) [FX0800015](#)