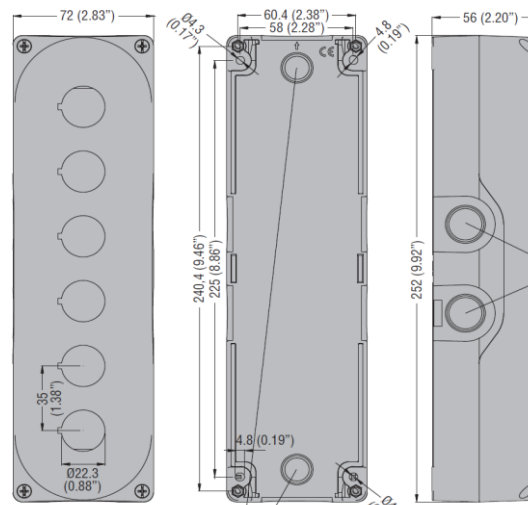
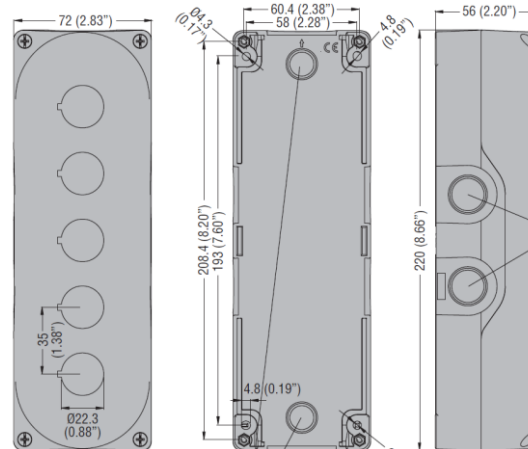
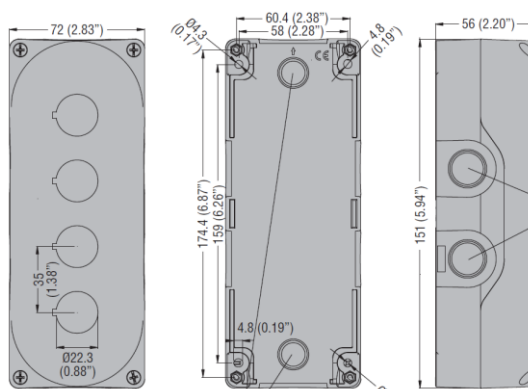
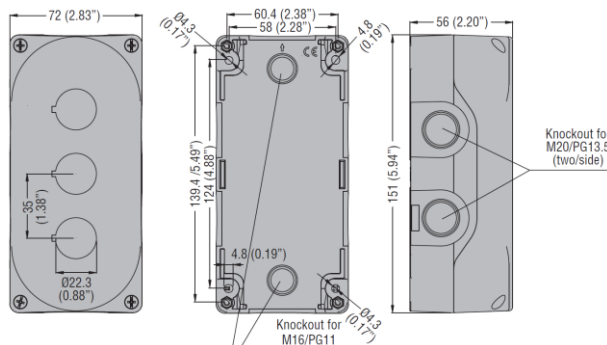
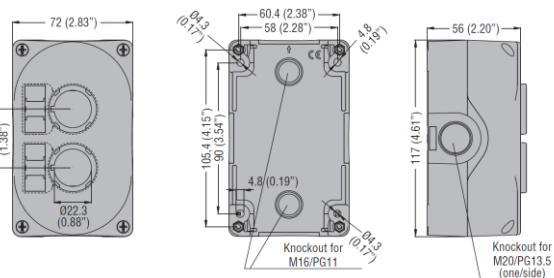
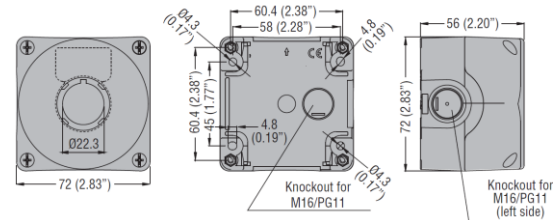


Control stations PLatinum series

Order code	Description	Cover colour
LPZ P1 A5	For 1 actuator	Yellow
LPZ P1 A8	For 1 actuator	Grey
LPZ P2 A8	For 2 actuators	Grey
LPZ P3 A8	For 3 actuators	Grey
LPZ P4 A8	For 4 actuators	Grey
LPZ P5 A8	For 5 actuators	Grey
LPZ P6 A8	For 6 actuators	Grey



LPZ P1 A5



LPZ P3 A8

General characteristics

CONTROL STATIONS WITHOUT ACTUATOR

- 1 to 6 cutouts
- Compact dimensions
- Easy wiring for base-mount contacts and lamp holders (see the following page); possible use of screw and spring-clamp terminal contacts or lamp holders on the inside surface of the cover using LPX AU120 mounting adapter
- Numerous cable entries.

CONTROL STATIONS WITH ACTUATOR

Standard supplied with actuator, label holder, STOP legend label, excluding types with yellow cover, and one base-mount NC contact.

Operational characteristics

- Cable entry:
 - LPZ P1... knockouts:
 - M16/PG11 (1 at rear and 1 on left side)
 - M20/M25/PG13.5/M20 (1 on top and 1 at bottom)
 - LPZ P2 A8 knockouts:
 - M16/PG11 (2 at rear)
 - M20/PG13.5 (1 on each side)
 - M20/M25/PG13.5/M20 (1 on top and 1 at bottom)
 - LPZ P3/P4/P5/P6 A8 knockouts:
 - M16/PG11 (2 at rear)
 - M20/PG13.5 (2 on each side)
 - M20/M25/PG13.5/M20 (1 on top and 1 at bottom)
- Any mounting position is allowed.
- Tightening torque of cover screws: T_{max} : 1.6Nm/14lbin
- Ambient conditions:
 - Operating temperature: -25...+70°C
 - Storage temperature: -40...+85°C
- Degree of protection:
 - Per IEC/EN: IP66, IP67 and IP69K
 - Per UL/CSA: Type 1, 2, 3R, 4 4X, 12, 12K.

Materials

Polycarbonate.

Certifications and compliance

Certifications pending completion: cULus, CCC, RINA, GOST.

Compliant with standards: IEC/EN 60947-1, IEC/EN 60947-5-1, UL508A for types without actuators / UL508 for types complete with actuator, CSA C22.2 n° 14.

X-ON Electronics

Largest Supplier of Electrical and Electronic Components

Click to view similar products for [Enclosures, Boxes, & Cases](#) category:

Click to view products by [Lovato](#) manufacturer:

Other Similar products are found below :

[CR-425 PAINTED](#) [585-R-WH-PK](#) [M-10-PLATED](#) [60221-01](#) [60566-01-000](#) [HPL-9VB BATT DOOR](#) [M-16-LID-PLATED](#) [M18-PLTD](#) [M-21-LID-PLATED](#) [M-21-PLATED](#) [M-23-PLATED](#) [CU-281-MB](#) [6711GSKT](#) [71884-29-028](#) [LH45-100 Black](#) [7200B](#) [72868-510-000](#) [CNS-0000 Black](#) [72883-510-000](#) [CNS-0101 Black](#) [72906-510-000](#) [CNS-0407 Black](#) [73091-510-000](#) [CNM-0000-BLACK Kit](#) [73092-510-000](#) [CNM-0101 Black](#) [73108-510-000](#) [CNL-0303 Black](#) [73395-510-039](#) [CNS-0006 Bone](#) [74257-510-000](#) [CNL-0004](#) [MDC-1183-PLAIN-ALUM](#) [MDC-1183-PTD](#) [MDC-13104-PLAIN-ALUM](#) [MDC-211 - PAINTED IVORY/BEIGE](#) [MDC-321-PTD](#) [MDC-432-PLAIN-ALUM](#) [MDC-973-PTD](#) [76](#) [77153-01-028](#) [FLX6030](#) [83535-01-508](#) [PS-11296-G](#) [PS-11298-B](#) [116-508](#) [120-407](#) [120-412](#) [120-909](#) [120-455](#) [R272-100-000](#) [120-910](#) [R501-001-010](#) [R508-080-000](#) [R508-160-000](#) [R530-120-000](#) [R530-122-000](#) [R530-200-000](#) [R531-160-000](#) [R531-200-000](#) [R582-080-100](#)