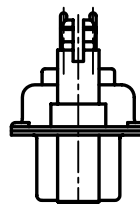
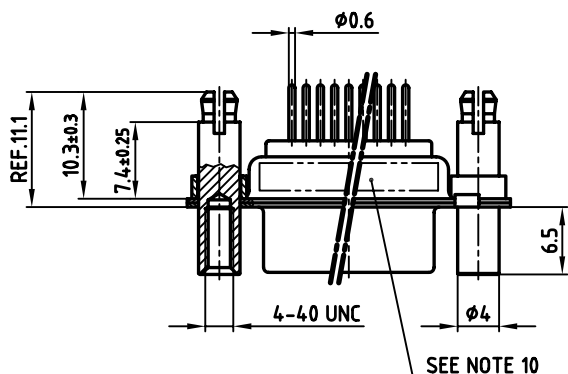
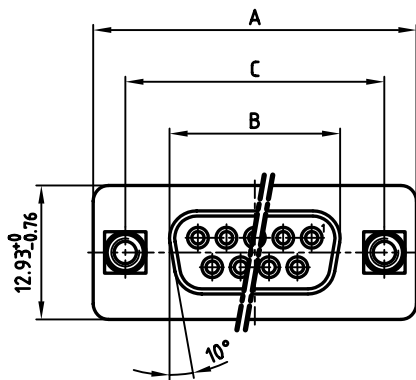
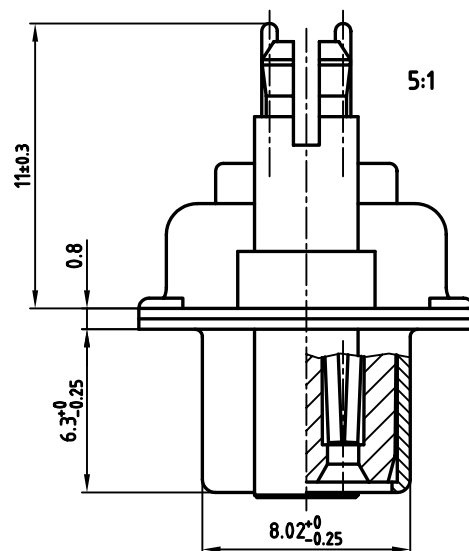


used for: D-SUB

POS.	A -0.76	B -0.25	C <sup>-0.12</sup> / <sub>-0.13</sub>	Part No.
9	31.19	16.46	25.00 <sup>-0.12</sup> / <sub>-0.13</sub>	164C16669XR
15	39.52	24.79	33.30 <sup>-0.15</sup> / <sub>-0.1</sub>	164C16679XR
25	53.42	38.50	47.04 ±0.13	164C16689XR
37	69.70	54.96	63.50 ±0.13	164C16699XR



**NOTES:**

1. RoHS COMPLIANT
2. SUITABLE FOR REFLOW SOLDERING ACCORDING IPC/JEDEC J-STD-020C Pb FREE ASSEMBLY
3. METALSHELLS: STEEL; min. 315µin TIN over 40-80µin NICKEL
4. INSULATORS: HIGH TEMPERATURE PLASTIC UL 94 V-0, BLACK
5. CONTACTS: COPPER ALLOY  
PLATING MATING AREA: 30µin HARD GOLD OVER min. 50µin NICKEL
6. THREADED LOCK/SPACER CLIP: COPPER ALLOY; min. 200µin TIN OVER 80µin NICKEL  
PCB-HOLE:  $\phi 3.1 \pm 0.1$ ; PCB THICKNESS 1.6mm
7. COLLAR: COPPER ALLOY; min. 200µin TIN over 80µin NICKEL
8. P.C.B. HOLE DRILLINGS ON SHEET 2
9. MAXIMUM TORQUE VALUE FOR THREAD: 6 in.LBS
10. CONNECTOR IS PART MARKED: PART-NO. CONEC ABC



APPROVAL * FREIGABE * DEBLOCAGE * AUTORIZACION * APPROVAL	
CUSTOMER APPROVAL DATE:	
NAME:	TITLE:
COMPANY NAME:	
APPROVAL * FREIGABE * DEBLOCAGE * AUTORIZACION * APPROVAL	

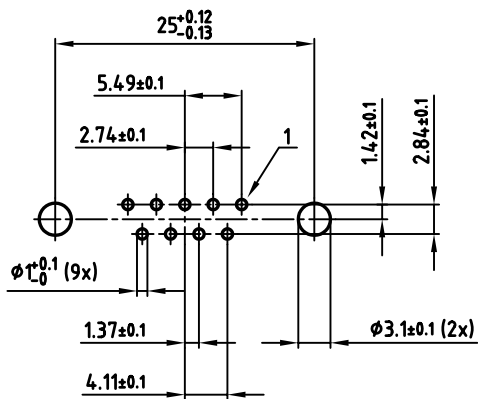
THIS DRAWING MAY NOT BE COPIED OR REPRODUCED IN ANY WAY, AND MAY NOT BE PASSED ON TO A THIRD PARTY, WITHOUT WRITTEN PERMISSION. OWNERSHIP AND COPYRIGHT OF CONEC GmbH. DO NOT ALTER CAD DRAWING BY HAND

rev.	description	date	name
a	Origin		

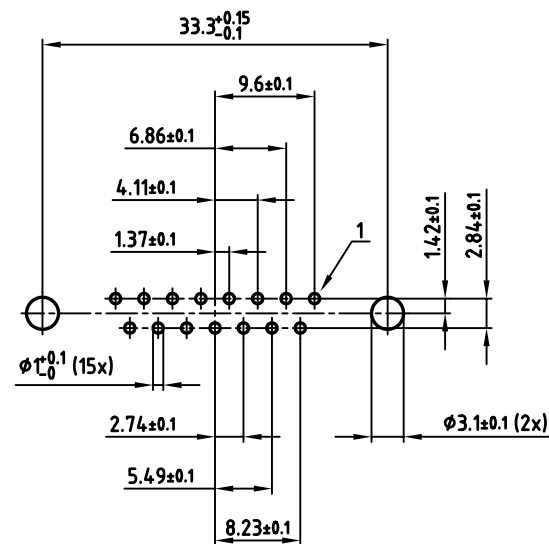
tolerance		scale:	2:1
	dim. in mm	material:	SEE NOTES
2006	date	name	
drawn	07.04.	Lehmenkühler	
appd.	07.04.	Mickenbecker	
norm	DIN 41652		
d-old			
		dwg no:	AutoCAD 2006
			DIN-A
			3
			sh:1/2

title:		<b>D-SUB FEMALE</b>	
		9-37pos. SOLDER PIN STRAIGHT	
		with threaded lock and spacer clip	
part no:		SEE TABLE	

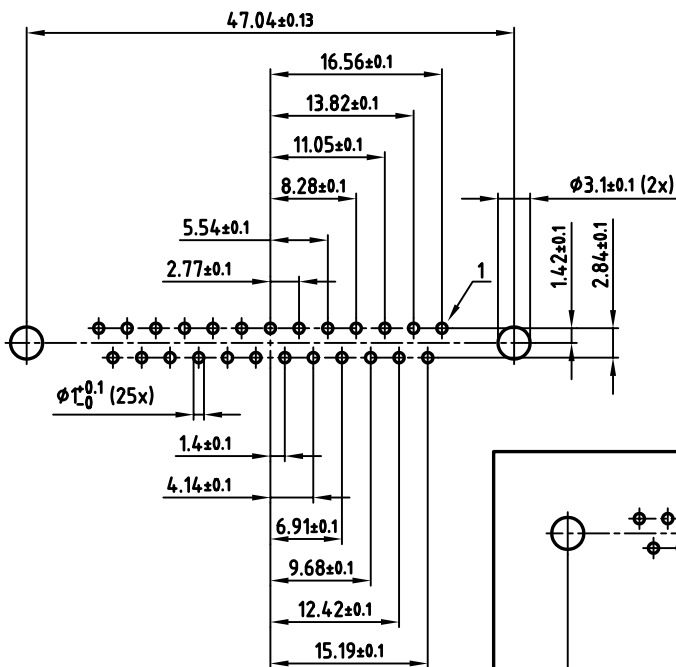
used for: D-SUB



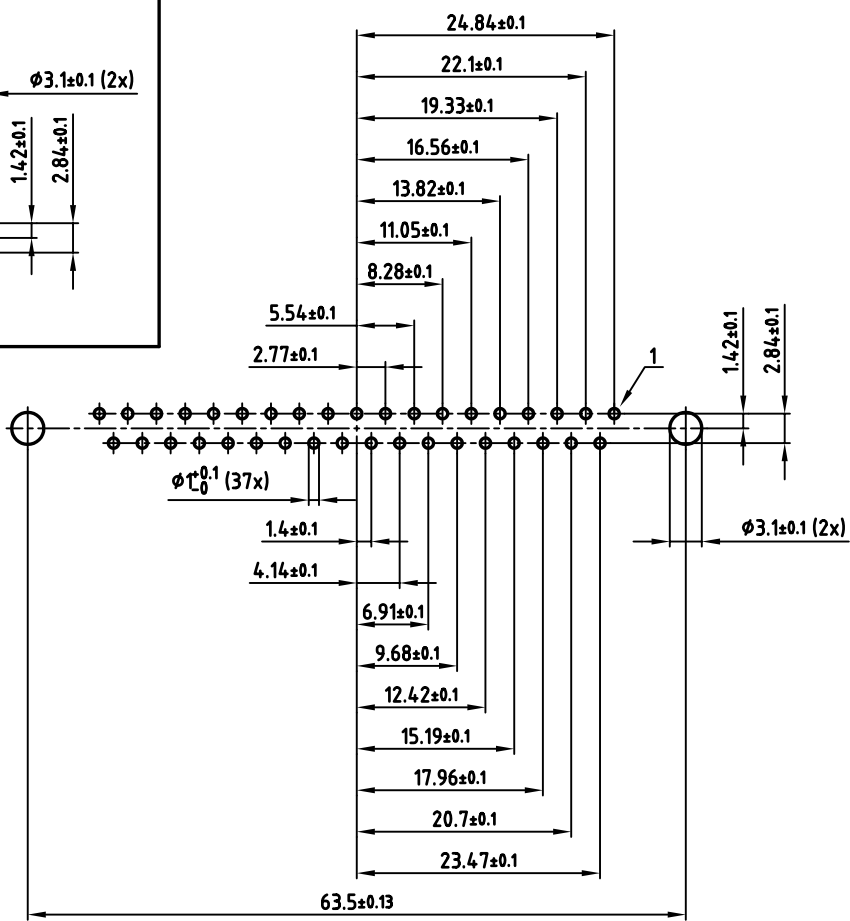
9 pos.



15 pos.



25 pos.



37 pos.

APPROVAL # FREIGABE # DEBLOCAGE # AUTORIZACION # APPROVAL

CUSTOMER APPROVAL DATE:

NAME: TITLE:

COMPANY NAME:

APPROVAL # FREIGABE # DEBLOCAGE # AUTORIZACION # APPROVAL

THIS DRAWING MAY NOT BE COPIED OR REPRODUCED IN ANY WAY, AND MAY NOT BE PASSED ON TO A THIRD PARTY, WITHOUT WRITTEN PERMISSION. OWNERSHIP AND COPYRIGHT OF CONEC GmbH DO NOT ALTER CAD DRAWING BY HAND

rev.	description	date	name
a	Origin		

tolerance		scale:	2:1
	dim. in mm	material:	SEE SHEET 1
2006	date	name	
drawn	07.04.	Lehmenkühler	
appd.	07.04.	Mickenbecker	
norm	DIN 41652		
d-old			

title: P.C.B. HOLE DRILLINGS  
D-SUB FEMALE 9-37pos. SOLDER PIN  
with threaded lock and spacer clip

dwg no: AutoCAD 2006 DIN-A  
16K1A1794 3 sh:2/2

part no: SEE SHEET 1

## X-ON Electronics

Largest Supplier of Electrical and Electronic Components

*Click to view similar products for [D-Sub Standard Connectors](#) category:*

*Click to view products by [CONEC](#) manufacturer:*

Other Similar products are found below :

[DCM37S732N](#) [DAM15P500](#) [DEV09S364GTLF](#) [DEM09P032N](#) [DDM50P732N](#) [DAM15S332N](#) [173109-2218](#) [173109-2466](#) [173109-2436](#)  
[173109-2435](#) [56F706-005-LI](#) [56F711-015](#) [015-0341-000](#) [015-0372-008](#) [015-8544-011](#) [017041-0005](#) [020419-0104](#) [012-0515-000](#) [012-9507-](#)  
[034](#) [012-9507-114](#) [012-9534-001](#) [020745-0008](#) [609-25P](#) [M24308/2-23Z](#) [M243082310F](#) [M243082410F](#) [M243082411F](#) [M24308/4-21](#)  
[CT1A18-11PSA206](#) [CT1N36-5SC](#) [CT2-16S-17PS](#) [CT2-20-15PCAU](#) [CT2-24-12PS](#) [CT2-24-28PSF127A206](#) [CT2-32-9PC](#) [CT6F9767-14-4-](#)  
[14S-5PC](#) [CT6FA10SL-4PS](#) [CT7-18-10SC](#) [CT7-18-10SCAU](#) [CT7-18-12SCAU](#) [CT7-18-1PC](#) [CT7-18-1PCAU](#) [CT7-18-21SCAU](#) [M83513/01-](#)  
[FC](#) [M83723/76W24619 L/C](#) [M85049/48-3-2F](#) [69001-865](#) [6STD09PCM99B70X](#) [6STD09SCM99B30X](#) [6STD09SCT99S40X](#)