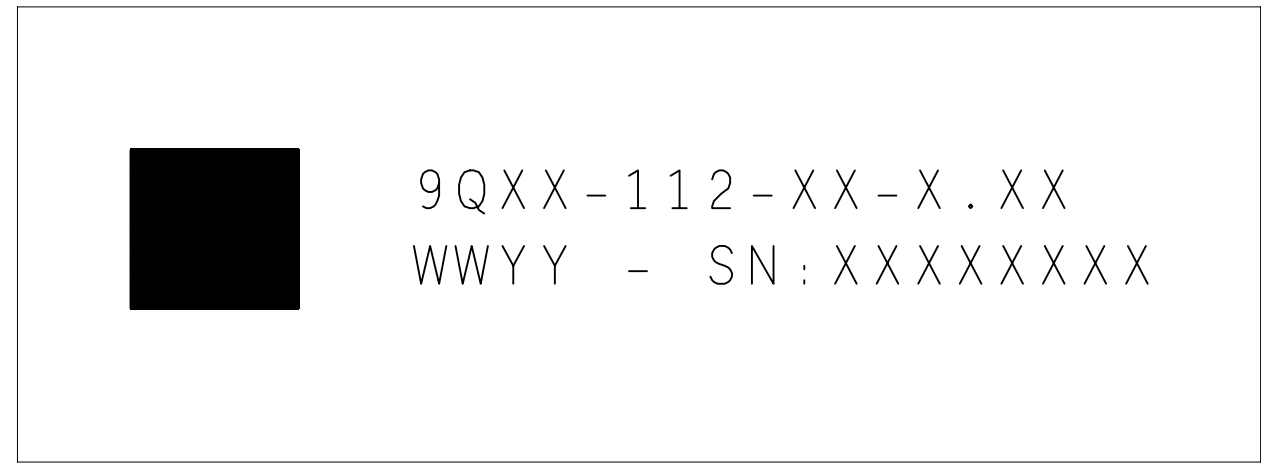
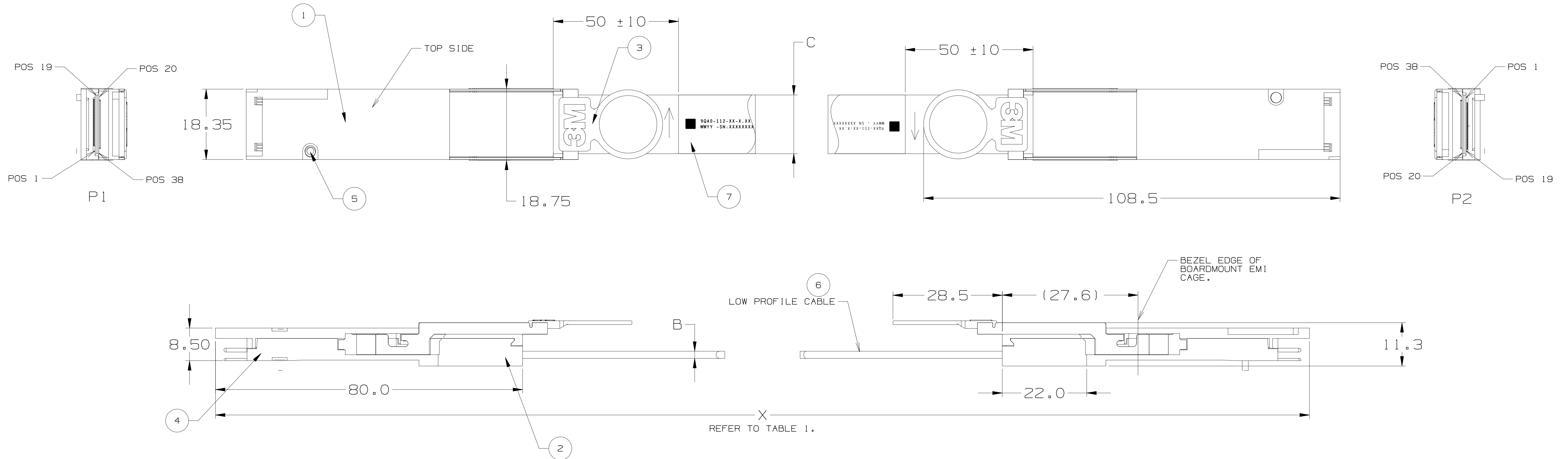
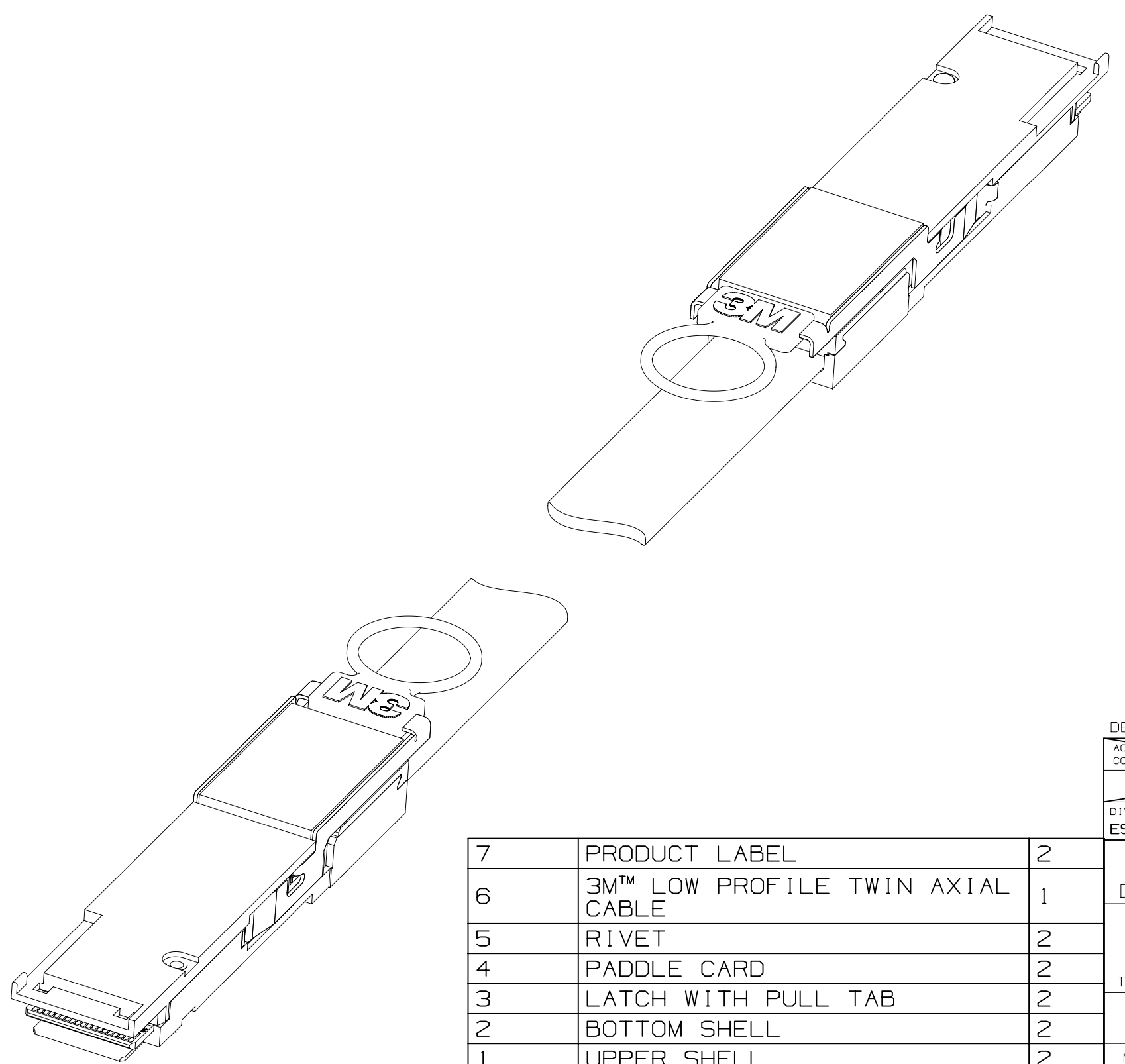


3M™ CABLE ASSEMBLIES FOR QSFP+ APPLICATIONS
 VISIT <http://www.3Mconnectors.com>



STANDARD PRODUCT LABEL DESCRIPTION
 (CUSTOM AVAILABLE UPON REQUEST)



BALLOON ITEM	DESCRIPTION	QTY
7	PRODUCT LABEL	2
6	3M™ LOW PROFILE TWIN AXIAL CABLE	1
5	RIVET	2
4	PADDLE CARD	2
3	LATCH WITH PULL TAB	2
2	BOTTOM SHELL	2
1	UPPER SHELL	2

DO NOT SCALE DRAWING	SCALE 2/1	TOLERANCES EXCEPT AS NOTED
THIRD ANGLE PROJECTION	INTERPRET PER ASME Y14.5 - 2009	MILLIMETERS 0 ± .00 ± .02 ± .10
MAX SURFACE ROUGHNESS 125	ALL SURFACES	ANGLES ±0.5°
	MARKED ONLY	

REV	ECO	ISSUE DATE AND DESCRIPTION	DRFT	CHKD
B 0068166		JUN 14, 2016 PG 2 OF 2: REMOVE UNWANTED WORDINGS	RL	YL
A 0052352		JAN 22, 2014 New Release.	RL	RL
DRFT	DATE	DRFT	DATE	DATE
R LIM	JAN 22, 2014	E CHEN	JAN 22, 2014	JAN 22, 2014
CHKD	DATE	APPR	DATE	DATE
R LIM	JAN 22, 2014	S BANDHU	JAN 22, 2014	JAN 22, 2014
DIVISION ESD DIVISION CODE © 3M COPYR[IGHT] 2016 3M Center St. Paul, MN 55144 This document and the information it contains are 3M property and may not be reproduced or further distributed without 3M permission, or used or disclosed other than for 3M authorized purposes. All rights reserved.				
TITLE 3M™ DIRECT ATTACH COPPER ASSY FDR CABLE ASSY SALES DWG				
CAGE NUMBER	SIZE	DRAWING NO.	REV.	
D 78-5100-2640-0			B	
MODEL	DET	SHT	1 OF 2	
	YES	NO		

78-5100-2640-0 06-28-2016 10:23 78-5100-2640-0.ppt

NOTES:

1. ORDERING INFORMATION:

9QXX-112-XX-X.XX

ASSEMBLY LENGTH X IN METERS SEE TABLE 1

EEPROM MEMORY MAP

13= FDR (14Gbps)

XX= CUSTOMIZATION(SEE 3M SALES REP)

AWG

0= 30 AWG

CABLE TYPE

A= 30AWG(PVC)

2. REFER TO TABLE 1 FOR CABLE LENGTH, WIDTH, THICKNESS AND WIRE AWG

3. MODULE PCB PINOUT DESIGNED TO SFF8436 SPECIFICATION

4. DESIGNED TO SFF 8436 SPECIFICATION

5. JACKET: BLACK PVC .015" NOMINAL THICKNESS

6. CABLE UL TEMPERATURE RATING -20C TO +80C

7. FOLDING BEND RADIUS 2.5mm

8. ROHS COMPLIANT.SEE REGULATORY INFORMATION APPENDIX IN "ROHS COMPLIANT" SECTION AT WWW.3Mconnectors.com(E1 & C1 apply)

9. UNLESS OTHERWISE NOTED,REFERENCES TO INDUSTRY SPECIFICATIONS ARE INTENDED TO INDICATE SUBSTANTIAL COMPLIANCE TO THE MATERIAL ELEMENTS OF THE SPECIFICATION. SUCH REFERENCES SHOULD NOT BE CONTRUED AS A GUARANTEE OF COMPLIANCE TO ALL REQUIREMENTS IN A GIVEN SPECIFICATION.

10. STANDARD PRODUCT SPECIFICATION: 78-5102-0198-7

11. FOR CUSTOM LENGTHS CONTACT A 3M SALES REPRESENTATIVE

TABLE 1

ORDERING INFORMATION	ASSY LENGTH=X (m)	TOLERANCE (mm)	B NOMINAL (mm)	C NOMINAL (mm)
9QA0-112-13-0.50	0.50	+10/-0	1.95	15.5
9QA0-112-13-1.00	1.00	+50/-0		
9QA0-112-13-1.50	1.50			
9QA0-112-13-2.00	2.00			
9QA0-112-13-2.50	2.50			
9QA0-112-13-x.xx	x.xx			

WIRING LIST

P1 END		P2 END	
POS	SIGNAL	POS	SIGNAL
1	GND (TX)	20	GND (RX)
2	TX2n	21	RX2n
3	TX2P	22	RX2p
4	GND (TX)	23	GND (RX)
5	TX4n	24	RX4n
6	TX4P	25	RX4p
7	GND (TX)	26	GND (RX)
13	GND (RX)	32	GND (TX)
14	RX3p	33	TX3p
15	RX3n	34	TX3n
16	GND (RX)	35	GND (TX)
17	RX1p	36	TX1p
18	RX1n	37	TX1n
19	GND (RX)	38	GND (TX)
20	GND (RX)	1	GND (TX)
21	RX2n	2	TX2n
22	RX2p	3	TX2P
23	GND (RX)	4	GND (TX)
24	RX4n	5	TX4n
25	RX4p	6	TX4P
26	GND (RX)	7	GND (TX)
32	GND (TX)	13	GND (RX)
33	TX3p	14	RX3p
34	TX3n	15	RX3n
35	GND (TX)	16	GND (RX)
36	TX1p	17	RX1p
37	TX1n	18	RX1n
38	GND (TX)	19	GND (RX)

LOW SPEED SIGNALS

P1 & P2	
POS	SIGNAL
8	ModSelL
9	ResetL
10	VccRx
11	SCL
12	SDA
27	ModPrsL
28	IntL
29	VccTx
30	VccI
31	LPMODE

DESIGN REFERENCE	NEXT ASSEMBLY	REV	ECO	ISSUE DATE AND DESCRIPTION	DRFT	CHKD
DO NOT SCALE DRAWING	SCALE 2/1	TOLERANCES EXCEPT AS NOTED		3M Center St. Paul, MN 55144 © 3M COPYR [GHT] 2016 This document and the information it contains are 3M property and may not be reproduced or further distributed without 3M permission, or used or disclosed other than for 3M authorized purposes. All rights reserved.		
THIRD ANGLE PROJECTION	INTERPRET PER ASME Y14.5 - 2009	MILLIMETERS		TITLE 3M™ DIRECT ATTACH COPPER QSFP+ FDR CABLE ASSY SALES DWG		
MAX SURFACE ROUGHNESS 125	ALL SURFACES MARKED ONLY	INCHES .00 ± .000 ± .0000 ±		CAGE NUMBER D 78-5100-2640-0		
		ANGLES ±0.5°		MODEL SHT 2 OF 2		

78-5100-2640-0 06-28-2016 10:23 78-5100-2640-0.ppt

X-ON Electronics

Largest Supplier of Electrical and Electronic Components

Click to view similar products for [3m manufacturer](#):

Other Similar products are found below :

[SC401U](#) [98-0003-3071-6](#) [80-0012-6467-2](#) [00-054007-70220-7](#) [00-054007-34717-0](#) [5952-3/4"x15yds](#) [021200-40230](#) [6840-2X50-GRAY](#)
[6A11-A0121-007.0-0](#) [701-W](#) [7993MP-2CIRCLE-100](#) [FDV14-187C](#) [8124/14](#) [8124/20-100](#) [812510-100](#) [8125/17](#) [813216](#) [8204-3LFM](#) [8425-](#)
[8](#) [MNG14BCX](#) [FP301-1/8-6"-Black](#) [FP-301 18 BLACK 500](#) [FV14-6C](#) [920102-01-25-R](#) [927739-40](#) [929835-01-28-RK](#) [929974-01-40-R](#)
[951240-2520-AR-PR](#) [960X/980X](#) [98-0003-3075-7](#) [HF365/16SF](#) [HF36564-100](#) [HF625/26-30](#) [1/2-5-4492W](#) [1/2-5-4951](#) [1/2-5-5430](#) [1/2-5-](#)
[850S](#) [1/2-5-3431](#) [12X12-6-4056B](#) [12X12-6-433](#) [12X12-6-4930](#) [13-500-NB](#) [14526-EZ5B-300-02C](#) [1-4-4658F](#) [14520-EZAB-300-0EC](#)
[DSTK9013-3420](#) [DSTK9015-3402](#) [14T26-SZLB-200-0LC](#) [14T50-SZWB-100-0NC](#) [1-5-3437](#)