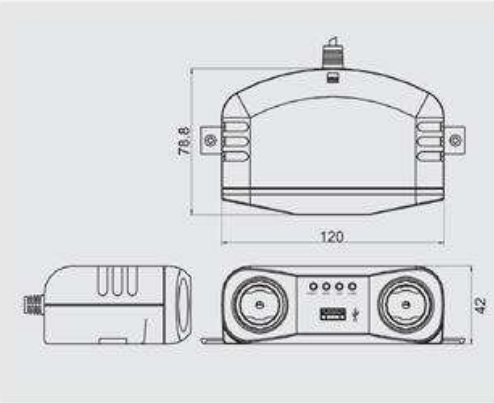


A13-75A149-W13 2-OUTLET EXTENSION SOCKET WITH USB & BATTERY ANALYZER



FEATURES

- * RATING : 10A 13.6V DC
 - * MATERIAL OF SOCKET
 - Housing : ABS (UL flame: 94-HB 105 °C).
 - Inner contact : nickel plated brass.
 - Contact : nickel plated metal.
 - * Twin outlet socket w/extension cable & \varnothing 21mm plug.
 - * W/USB port for charging mobile phones, MP3 players & PDA.
 - * Battery analyzer featured by 4 LED's, indicating different level of battery power.
 - * Green LED light ring around sockets for night time use.
 - * With 10A glass tube fuse max.
 - * Fit cables up to 16AWG in length at customers' option.
 - * RoHS restriction compliant.
- * MATERIAL OF PLUG
 - Housing : phenolic (UL flame: 94V-1).
 - Top contact : nickel plated brass.
 - Spring contact : nickel plated spring steel.

X-ON Electronics

Largest Supplier of Electrical and Electronic Components

Click to view similar products for [Standard Circular Connector](#) category:

Click to view products by [SCI manufacturer](#):

Other Similar products are found below :

[C015](#) [10F006](#) [001](#) [1](#) [5M2530B10P](#) [600247N007](#) [600259N006](#) [600273N007](#) [600432N009](#) [6280-2PG-519](#) [6280-3PG-311](#) [6280-3SG-311](#)
[6280-7SG-3DC](#) [6280-7SG-522](#) [6282-5PG-311](#) [6282-6PG-519](#) [6282-8SG-311](#) [6283-11](#) [6283-15](#) [6290](#) [6293](#) [6382-2PG-311](#) [6382-2PG-3DC](#)
[6382-2SG-321](#) [6382-2SG-3DC](#) [6382-4SG-516](#) [67-03E20-37P](#) [681-PMG](#) [CXC3106A1811S](#) [CXS3102A14S2P](#) [CXS3102A181S](#)
[CXS3106A14S6S](#) [D38999/20FC8SA L/C](#) [MB12P-1](#) [MB12R-6](#) [7251-2PG-300](#) [7251-2SG-300](#) [7251-4PG-300](#) [7251-4SG-300](#) [7251-5PG-300](#)
[7251-5SG-300](#) [7251-6SG-300](#) [7251-7PG-300](#) [7251-8PG-300](#) [7271-6SG-300](#) [7282-3PG-300-CH3](#) [73000005663](#) [75-190011-03P](#) [75-190216-08S](#) [75-190218-10P](#) [75-214636-52P](#) [75-474118-10P](#) [75-474211-03P](#)