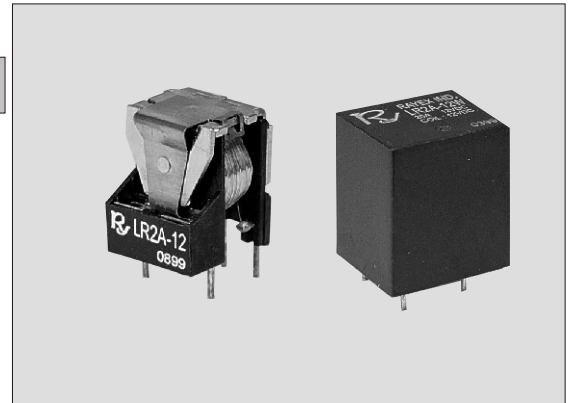


FEATURES

- Up to 15A for exclusive automobile control relay switching box use
- Open-frame and sealed type are available
- Contact form: 1 form C, 1 form A, 2 form A
- Using at automotive, security systems, etc



ORDERING INFORMATION

LR 1A — 12 W
 1 2 3 4

1. Type

2. Contact Arrangement

1A : SPNO 2A : SPDM

1B : SPNC 2B : SPDB

1C : SPDT 2C : SPDT-DM-DB

3. Coil Nominal Voltage

4. Enclosure

Nil : Open Type

W : Sealed Type

CONTACT RATING

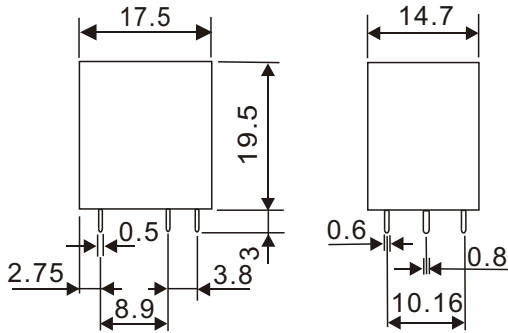
SPST-NO	Resistive (Cos. = 1)	DC 14 V	15A
SPST-NC	Resistive (Cos. = 1)	DC 14V	10A
SPDT	Resistive (Cos. = 1)	NO : DC 14V / 15A	NC : DC 14V / 10A
SPST-DM	Resistive (Cos. = 1)	DC 14 V	2 x 10A
SPST-DB	Resistive (Cos. = 1)	DC 14 V	2 x 7.5A
SPDT-DM-DB	Resistive (Cos. = 1)	NO : DC 14 V / 2 x 10A	NC : DC 14 V / 2 x 7.5A

COIL DATA(1.1W, at 25°C)

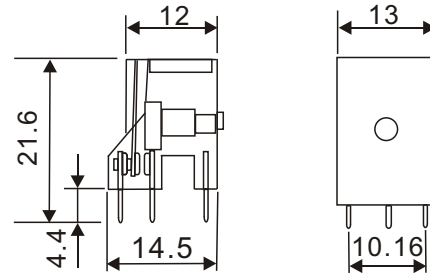
Coil Nominal Voltage (VDC)	Resistance Tol.±10% (Ohms)	Nominal Current (mA)	Maximum Pick Up Voltage (V)	Minimum Drop Out Voltage (V)
6	33	182	3.6	0.6
12	130	92	7.2	1.2
24	520	46	14.4	2.4

DIMENSIONS(mm)

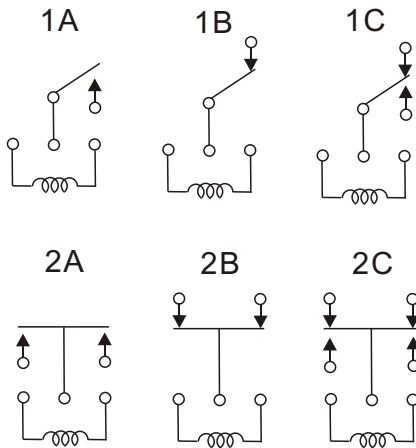
SEALED TYPE



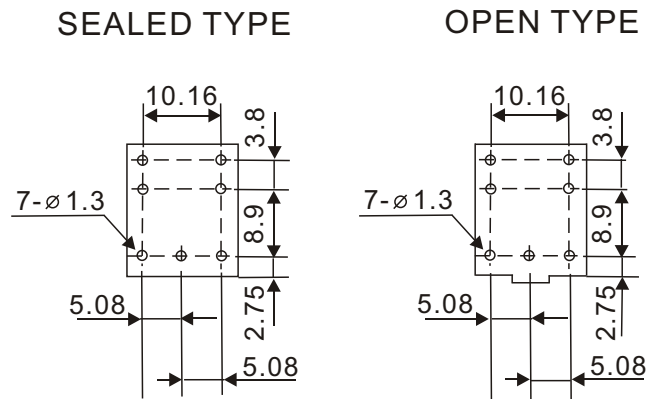
OPEN TYPE



WIRING DIAGRAM
(BOTTOM VIEW)



P.C.B LAYOUT
(BOTTOM VIEW)



GENERAL DATA

Insulation Resistance	100 M Min. (DC 500V)
Dielectric Strength	750 VAC, 50/60Hz between contact.
	500 VAC, 50/60Hz between all elements.
Contact Material	Silver- Cadmium Oxide as standard.
Contact Resistance	100 milliohms max. (initial value)
Shock Resistance	Malfunction: 10G(11ms) ; Destructive: 100G(6ms)
Vibration Resistance	Malfunction: 10 to 55 Hz. at Double Amplitude of 1.5 mm
	Destructive: 10 to 55 Hz. at Double Amplitude of 1.5 mm
Operation Time	6 ms max.
Release Time	3 ms max.
Temperature Range	- 40°C ~ + 85°C
Expected Life	With operation rate 30/min.
	Mechanical - 10,000,000 operations min.
	Electrical - 100,000 operations min. at rated load.
Weight	12 grams

X-ON Electronics

Largest Supplier of Electrical and Electronic Components

Click to view similar products for [General Purpose Relays](#) category:

Click to view products by [Rayex](#) manufacturer:

Other Similar products are found below :

[APF30318](#) [JVN1AF-4.5V-F](#) [PCN-105D3MHZ](#) [5JO-10000S-SIL](#) [5JO-1000CD-SIL](#) [5JO-400CD-SIL](#) [LY2S-AC220/240](#) [LYQ20DC12](#)
[6031007G](#) [6131406HQ](#) [6-1393099-3](#) [6-1393099-8](#) [6-1393122-4](#) [6-1393123-2](#) [6-1393767-1](#) [6-1393843-7](#) [6-1415012-1](#) [6-1419102-2](#) [6-1423698-4](#) [6-1608051-6](#) [6-1608067-0](#) [6-1616170-6](#) [6-1616248-2](#) [6-1616282-3](#) [6-1616348-2](#) [6-1616350-1](#) [6-1616350-8](#) [6-1616358-7](#) [6-1616359-9](#) [6-1616360-9](#) [6-1616931-6](#) [6-1617039-1](#) [6-1617052-1](#) [6-1617090-2](#) [6-1617090-5](#) [6-1617347-5](#) [6-1617353-3](#) [6-1617801-8](#) [6-1617802-2](#) [6-1618107-9](#) [6-1618248-4](#) [M83536/1-027M](#) [CX-4014](#) [MAHC-5494](#) [MAVCD-5419-6](#) [703XCX-120A](#) [7-1393100-5](#) [7-1393111-7](#)
[7-1393144-5](#) [7-1393767-8](#)