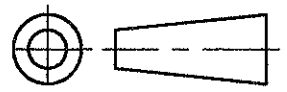


DO NOT SCALE
DIMENSIONS IN mm

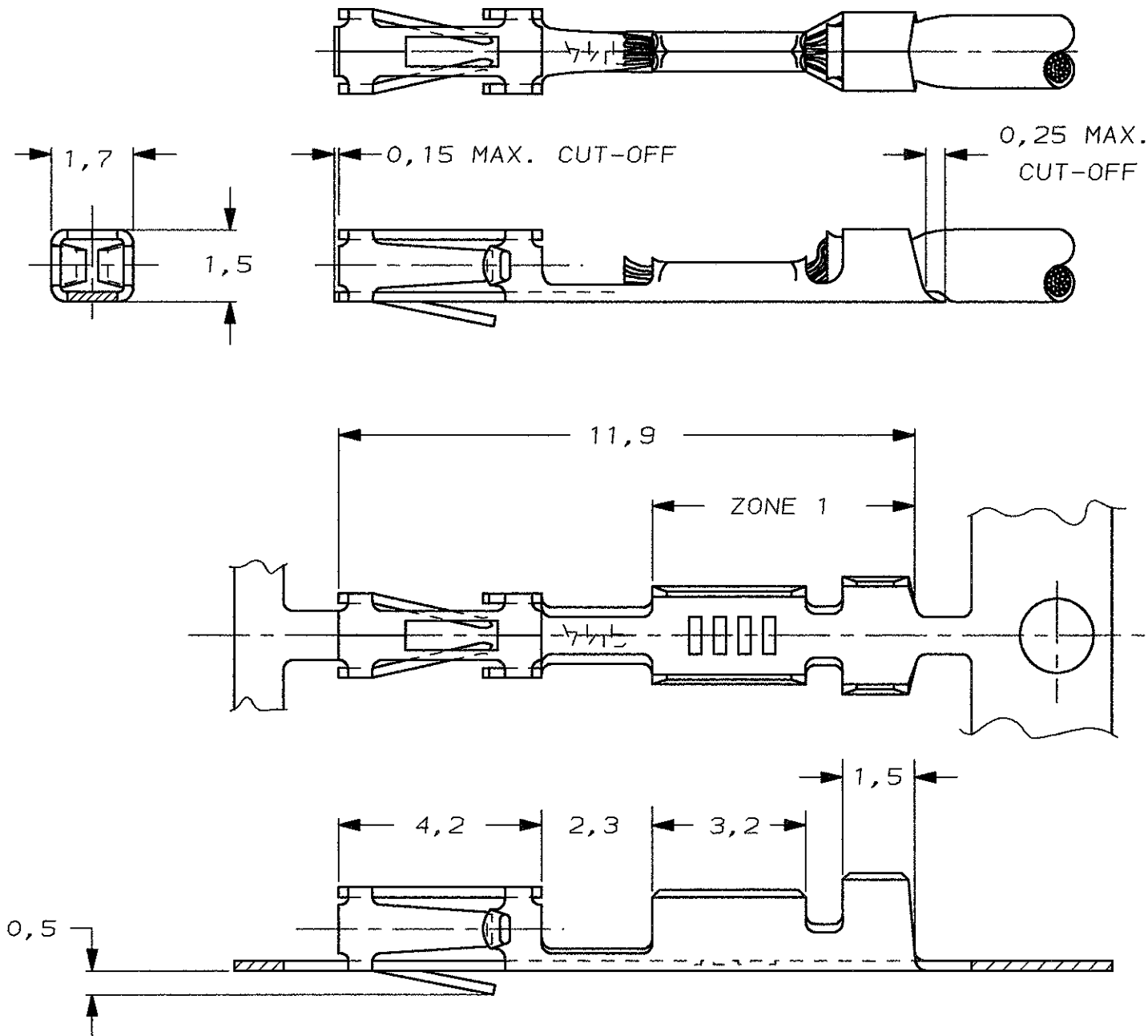
METRIC

THIRD ANGLE
PROJECTION



NOTES:

- 1 FOR MINI-APPLICATOR-CRIMPING.
- 2 UNDERCOATING: 1,25µm Ni, SELECTIVE: 0,8µm Au, ZONE 1: 0,5µm MIN. GOLDFLASH.
- 3 UNDERCOATING: 1,25µm Ni, SELECTIVE: 0,8µm Au, REMAINDER: GOLDFLASH.
- 4 UNDERCOATING: 1,25µm Ni, SELECTIVE: 0,4µm Au, NO GOLDFLASH.
- 5 ~~ZONE 1: BRIGHT TIN/LEAD PLATED.~~
- 6 MATERIAL: PHOSPHORBRONZE
- 7 FOR STANDARD-APPLICATOR-CRIMPING.
- 8 FOR REELFED-HANDTOOL-CRIMPING, 500 CONTACTS ON A SMALL REEL.
- 9 24-20 AWG (0,20-0,56 mm²) WITH .055 CRIMPER.
26 AWG (0,12-0,14 mm²) WITH .042 CRIMPER.



GOLD	2	141603-4	5-167300-8	8
GOLD	4	≠	1-167300-6	1
			1-167300-5	2
GOLD	2	141603-4	167300-8	1
			167300-7	2
GOLD	3	141603-3	167300-6	1
			167300-5	2

				FINISH	LOOSE PIECE	PARTNUMBER
				CUSTOMER DRAWING FOR REFERENCE ONLY WILL NOT BE UPDATED		
				© COPYRIGHT 19- BY AMP HOLLAND B.V. ALL INTERNATIONAL RIGHTS RESERVED. AMP PRODUCTS MAY BE COVERED BY U.S. AND FOREIGN AND/OR PATENTS PENDING.		
				THIS DRAWING IS UNPUBLISHED RELEASED FOR PUBLICATION ,19		
				AMP AMP HOLLAND B.V. 's-Hertogenbosch, The Netherlands.		
				NAME AMP MODU MOD.4 RECEPTACLE, STRIP		
F	EH-2039-98	JvL	JvL	03-12-98		
LTR.	REVISION RECORD	DR.	CHK.	DATE		
DR.:	J.v.LIEMPT	CHK.:	J.v.LIEMPT	APP.:	E.LEIJTENS	DWG.No.
DATE:	03 DEC 98	DATE:	-	DATE:	-	C-167300
				REV.LTR.	F	SHEET
						1 OF 1
				A3		

X-ON Electronics

Largest Supplier of Electrical and Electronic Components

Click to view similar products for [Headers & Wire Housings](#) category:

Click to view products by [TE Connectivity](#) manufacturer:

Other Similar products are found below :

[95000-104TRLF](#) [10135584-644402LF](#) [DF62W-EP2022PCA](#) [95000-106TRLF](#) [DF62W-2022SCA](#) [DF62W-EP2022PC](#) [2203348](#) [DF62W-2022SC](#) [1084018](#) [1029039](#) [1084017](#) [802-10-012-10-002000](#) [1112640](#) [1112639](#) [891-007-9SS-BST1T](#) [000-34000](#) [0008550134](#) [0009482033](#) [0009507031](#) [57102-F02-18ULF](#) [57102-S06-03LF](#) [57202-S52-04LF](#) [PCN6-15S-2.5E](#) [0039019024](#) [58102-G61-06LF](#) [582553-1](#) [0009485154](#) [0009508121](#) [0022285053](#) [0050291907](#) [018731A](#) [LY20-4P-DT1-P1E-BR](#) [02.125.8002.8](#) [60101931](#) [60598-1 \(Cut Strip\)](#) [M1625-3R/100](#) [61062-3](#) [61082-181009](#) [CSU011177004](#) [636-1427](#) [638009-1](#) [641938-9](#) [641991-4](#) [644168-1](#) [644827-2](#) [647662-1](#) [65039-019ELF](#) [65692-001LF](#) [65781-018](#) [65781-047](#)