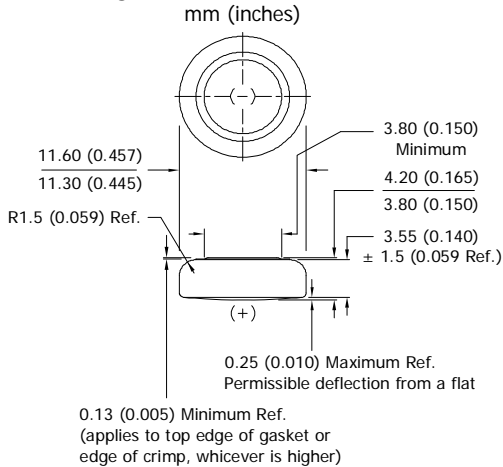


ENERGIZER 186

Miniature Alkaline



Industry Standard Dimensions

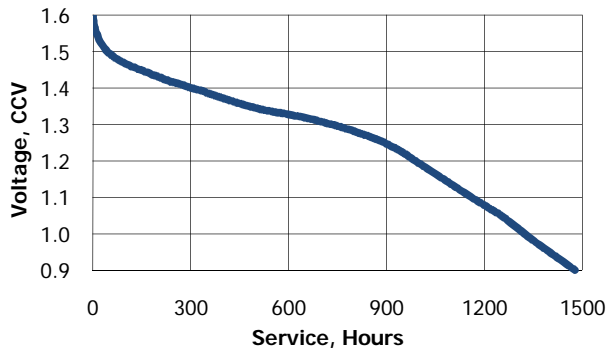


Designed for electronic applications which may require high rate pulses

Typical Discharge Characteristics

21°C (70°F)

Load: 15K ohms - Continuous
Typical Drain @ 1.25V: 0.125 mA

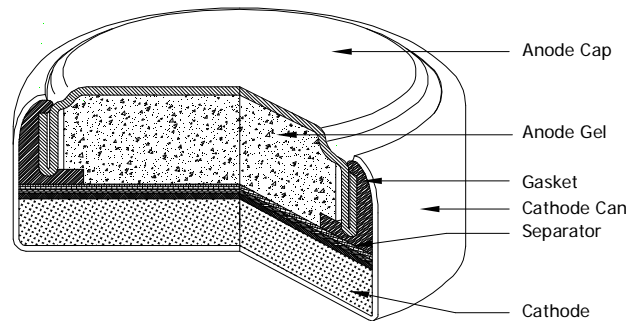


Schedule:	Typical Drains: at 1.25V (milliamperes)	Load (ohms)	Cutoff 0.9V (hours)
Continuous	0.083	15,000	1,476

Specifications

- Chemical System:** Manganese Dioxide (MnO₂)
- Designation:** IEC-LR43
- Nominal Voltage:** 1.5 Volts
- Typical Capacity:** 123 mAh (to 0.9 volts)
Rated at 15K ohms / 21°C (70°F)
- Typical Weight:** 1.5 grams (0.05 ounces)
- Typical Volume:** 0.40 cubic centimeters (0.05 cubic inch)

Cross Section



Depth of Discharge Test

Percent of rated Capacity at 21°C (70°F)

Typical closed circuit voltage during discharge on a load of 100 ohms for 0.1 to 2.0 seconds

% Rated Capacity	0%	40%	80%
	1.52V	1.19V	1.07V

Bulge Data

This battery will bulge as it is discharged but will not exceed the maximum height shown on the battery drawing.

Important Notice

This data sheet contains typical information specific to products manufactured at the time of its publication.
©Energizer Holdings, Inc. - Contents herein do not constitute a warranty.

X-ON Electronics

Largest Supplier of Electrical and Electronic Components

Click to view similar products for [Battery Packs](#) category:

Click to view products by [Energizer](#) manufacturer:

Other Similar products are found below :

[2280309-1](#) [R101-B](#) [4114 210 501](#) [4120 210 501](#) [4600 726 406](#) [4610 726 406](#) [312G-U1](#) [55615703012](#) [3LR12](#) [4103 210 392](#) [4103 210 394](#)
[4106 210 392](#) [4106 210 394](#) [4223 210 501](#) [4606 726 406](#) [4607 726 406](#) [ZA13](#) [LR03/AAA/MN2400\(K4\)](#) [LR03 MAXELL S4](#) [LR1130](#)
[MAXELL B10](#) [LR14-MN1400-C K2](#) [LR1/910A](#) [LR41 MAXELL B10](#) [LR43](#) [LR43 MAXELL B10](#) [LR6 MAXELL S4](#) [11012](#) [E23A](#) [E90](#)
[625302](#) [625304](#) [637871](#) [638006](#) [6LF22/9V/MN1604\(K1\)C&B](#) [6LF22/9V/MN1604 PLUS](#) [6LR61](#) [SR626SW MAXELL](#) [SR920SW](#)
[MAXELL](#) [7K67 J](#) [55615303059](#) [GP14A S2](#) [GP15E](#) [GP1604GLF-2UE1](#) [GP 1604 ULTRA PLUS](#) [23733](#) [10 ET](#) [675 ET](#) [11A B5](#) [A544](#) [A76-](#)
[U10](#)