

## Data Sheet

Customer: \_\_\_\_\_

Product: Low Ohm (Metal Strip) Chip Resistor – LRP Series

Size: 2512

Issued Date: 15-Jul-16

Edition: REV.A3



VIKING TECH CORPORATION  
光頡科技股份有限公司  
No.70 Guangfu N. Rd., Hukou  
Township, Hsinchu County 303,  
Taiwan

TEL:886-3-5972931  
FAX:886-3-5972935•886-3-5973494  
E-mail:sales@viking.com.tw

VIKING TECH CORPORATION KAOHSIUNG BRANCH  
光頡科技股份有限公司高雄分公司  
No.248-3, Sin-Sheng Rd., Cian-Jhen Dist., Kaohsiung,  
806, Taiwan

TEL:886-7-8217999  
FAX:886-7-8228229  
E-mail:sales@viking.com.tw

WUXI TMTEC CO., LTD.  
無錫泰銘電子有限公司  
No.22 Xixia Road, Machinery & Industry Park,  
National Hi-Tech Industrial Development Zone  
of Wuxi, Wuxi, Jiangsu Province, China  
Zip Code:214028  
TEL:86-510-85203339  
FAX:86-510-85203667•86-510-85203977  
E-mail:china@viking.com.tw

Produced by (QC)	Checked (QC)	Approved by (QC)	Prepared by (Sales)	Accepted by (Customer)
15-Jul-16	15-Jul-16	15-Jul-16		
<b>Susan Huang</b>	<b>J.C. Liu</b>	<b>J.C. Liu</b>		

## Low Ohm (Metal Strip) Chip Resistor- LRP Series

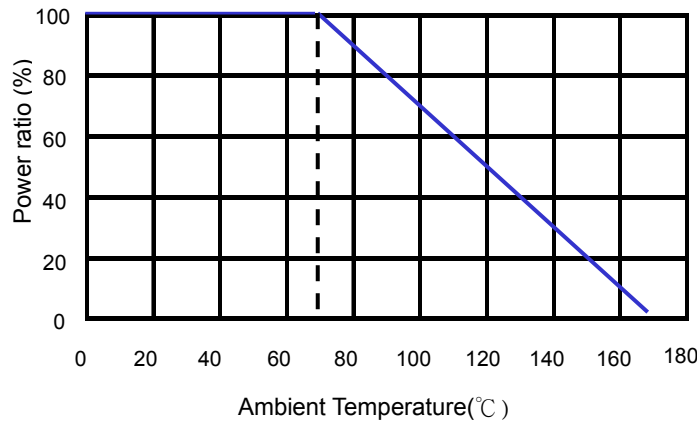
### ■ Features

- High power rating up to 3 Watts
- Low TCR down to  $\pm 50$  PPM/ $^{\circ}\text{C}$
- Resistance values from 7m to 100m ohm
- Customized resistance available

### ■ Applications

- NB (for Power Management)
- MB (for Power Management)
- SWPS (DC-DC Converter, Charger, Adaptor)
- Monitor (for Power Management)

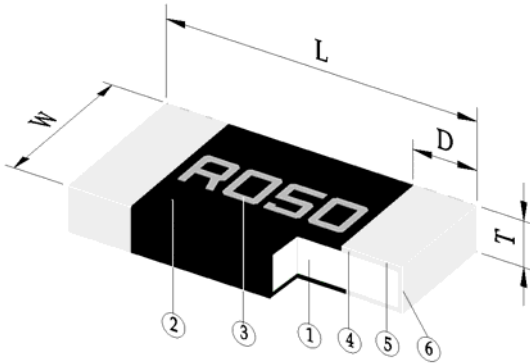
### ■ Derating Curve



### ■ Part Numbering

LRP	12	F	T	D	S	R015
Product Type	Dimensions (L×W)	Resistance Tolerance	Packaging Code	TCR (PPM/ $^{\circ}\text{C}$ )	Power Rating	Resistance
	12: 2512	D: $\pm 0.5\%$ F: $\pm 1\%$ J: $\pm 5\%$	T: Taping Reel	D: $\pm 50$ W: $\pm 75$	R: 3W S: 2W T: 1W	R015: $0.015\Omega$ R050: $0.05\Omega$

**Construction**



① Alloy Plate	④ Internal Electrode
② Overcoat	⑤ Barrier Layer
③ Marking	⑥ Solder Plating

**Dimensions**

Type	Size (Inch)	L (mm)	W (mm)	T (mm)	D (mm)
LRP12	2512	6.40±0.25	3.20±0.25	0.70±0.20	0.90±0.30

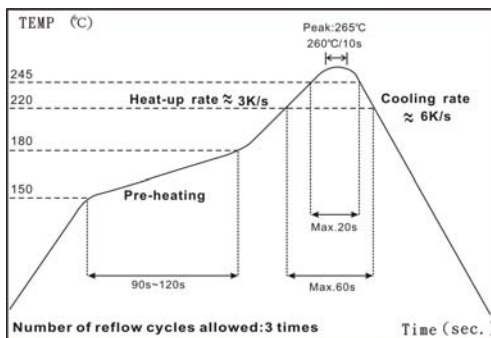
**Electrical Specifications**

Type	Item	Power Rating at 70°C	Operating Temp. Range	Resistance Range (mΩ)			TCR (PPM/°C)
				±0.5%	±1%	±5%	
LRP12 (2512)	1W, 2W, 3W		-55 ~ +170°C	7, 8, 9, 10, 12, 15, 18, 20, 22, 25, 30, 33, 35, 39, 40, 47, 50, 60, 68, 70, 75, 80, 82, 90, 91, 100			±75
				15, 18, 20, 22, 25, 30, 33, 35, 39, 40, 47, 50, 60, 68, 70, 75, 80, 82, 90, 91, 100			±50

Operating Current =  $\sqrt{P/R}$  , Operating Voltage =  $\sqrt{P \cdot R}$

■ Viking is capable of manufacturing the optional spec based on customer's requirement.

**Soldering Condition(Reflow soldering only)**



IR Reflow Soldering

(1) Time of IR reflow soldering at maximum temperature point 260°C : 10s

(2) Time of soldering iron at maximum temperature point 410°C : 5s

**■Environmental Characteristics**

Item	Requirement	Test Method
Temperature Coefficient of Resistance (T.C.R.)	As Spec.	<b>IEC60115-1 4.8</b> <b>JIS-C-5201-1 4.8</b> -55°C~+125°C, 25°C is the reference temperature
Short Time Overload	±1.0%	<b>IEC60115-1 4.13</b> <b>JIS-C-5201-1 4.13</b> 5*rated power for 5 seconds
Insulation Resistance	≥10G	<b>IEC60115-1 4.6</b> <b>JIS-C-5201-1 4.13</b> 100V DC for 1 minute
Endurance	±1.0%	<b>IEC60115-1 4.25</b> <b>JIS-C-5201-1 4.25.1</b> 70±2°C, rated power for 1000 hrs with 1.5 hrs "ON" and 0.5 hr "OFF"
Biased Humidity	±1.0%	<b>MIL-STD-202 Method 103</b> 1000 hrs 85°C/85%RH 10% of operating power
Dry Heat	±1.0%	<b>IEC60115-1 4.23.2</b> <b>JIS-C-5201-1 4.23.2</b> at +170°C for 1000 hrs
Bending Strength	±1.0%	<b>JIS-C-5201-1 4.33</b> <b>IEC-60115-1 4.33</b> Bending width 2mm once for 5 seconds
Solderability	95% min. coverage	<b>JIS-C-5201-1 4.17</b> <b>IEC-60115-1 4.17</b> 245±5°C for 3 seconds
Resistance to Soldering Heat	±0.5%	<b>JIS-C-5201-1 4.18</b> <b>IEC-60115-1 4.18</b> 260±5°C for 10 seconds
Rapid Change of Temperature	±1.0%	<b>JIS-C-5201-1 4.19</b> <b>IEC-60115-1 4.19</b> -55°C to +155°C, 5 cycles
Low Temperature Storage	±1.0%	<b>IEC60115-1 4.23.4</b> <b>JIS-C-5201-1 4.23.4</b> at -55°C for 2 hrs

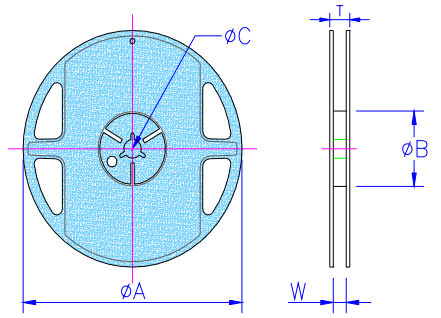
RCWV(Rated Continuous Working Voltage)=  $\sqrt{P \cdot R}$  or Max. Operating Voltage whichever is lower.

**■Storage Temperature: 15~28°C; Humidity < 80%RH**

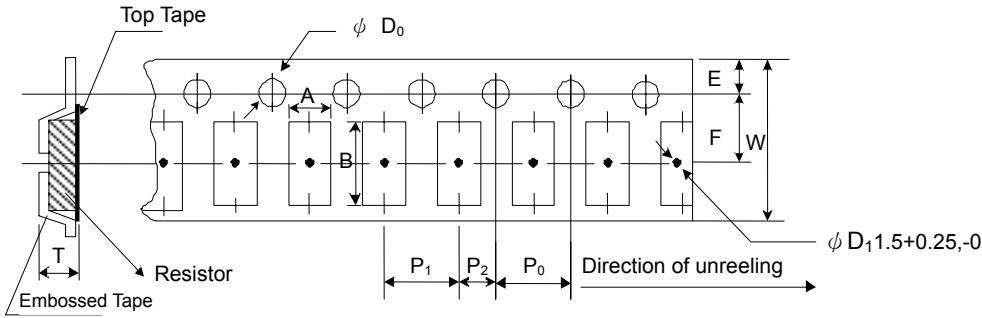
**■Packaging**

Reel Specifications & Packaging Quantity

Type	Packaging Quantity	Tape Width	Reel Diameter	ΦA (mm)	ΦB (mm)	ΦC (mm)	W (mm)	T (mm)	
LRP12	Embossed	4K	12mm	7 inch	178.5+/-1.5	60±1.0	13.0±0.5	13.0±1.0	15.5±0.5

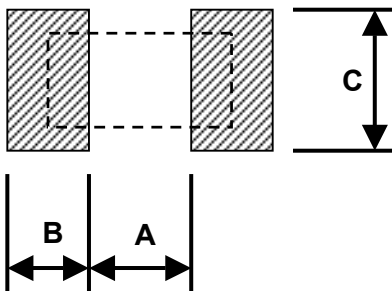


Embossed Plastic Tape Specifications



Type	A (mm)	B (mm)	W (mm)	E (mm)	F (mm)	P <sub>0</sub> (mm)	P <sub>1</sub> (mm)	P <sub>2</sub> (mm)	ΦD <sub>0</sub> (mm)	T (mm)
LRP12	3.50±0.10	6.70±0.10	12.0±0.30	1.75±0.10	5.5±0.05	4.00±0.10	4.00±0.10	2.00±0.05	1.50+0.1, -0	1.20+0

**■Recommend Land Pattern**



Type	A (mm)	B (mm)	C (mm)
LRP12	4.00	2.00	3.50

\*FR4 copper board, 100 $\mu$ m of copper pad thickness

**REVISION HISTORY**

REVISION	DATE	CHANGE NOTIFICATION	DESCRIPTION
Version A	Apr 30, 2015	-	- First issue of this specification
Version A1	Jul 30, 2015	-	- Add 0.5% Resistance Range
Version A2	Nov 27, 2015	-	- Change TCR75 ppm Resistance Range 10mR~100mR →7mR~100mR
Version A3	Jul 15, 2016	-	- Remove Material Description - Modify Storage Temperature

## X-ON Electronics

Largest Supplier of Electrical and Electronic Components

*Click to view similar products for [Thick Film Resistors - SMD category](#):*

*Click to view products by [Viking manufacturer](#):*

Other Similar products are found below :

[CRCW04028R20JNEE](#) [CRCW06036K80FKEE](#) [CRG1206F1K58](#) [CRL0603-FW-R700ELF](#) [M55342K06B6E19RWL](#) [RC1005F1072CS](#)  
[RC1005F471CS](#) [RC1005F4751CS](#) [RCP0603W100RGED](#) [RCWP72251K47FKWB](#) [RLR05C7501GPB14](#) [RLR07C5111FSBSL](#) [ERJ-](#)  
[1GMF1R00C](#) [ERJ-1GMF1R20C](#) [ERJ-1GMF2R55C](#) [ERJ-1GMF8R66C](#) [25121WF1003T4E](#) [25.501.3653.0](#) [290-1.0M-RC](#) [292-1.0M-RC](#) [292-](#)  
[2.2K-RC](#) [292-4.7K-RC](#) [25121WF4700T4E](#) [292-470K-RC](#) [302-1.0M-RC](#) [CPG1206F10KC](#) [CRCW02011R00FXED](#) [CRCW060315K0FKEE](#)  
[CRCW060320K5FKEE](#) [CRG0201F10K](#) [RCG0402150RFKED](#) [RCG04023K92FKED](#) [RCP2512B100RGWB](#) [RCWP110010R0FKS3](#)  
[RCWP11002K00FKS3](#) [RCWP12061K00FKS2](#) [3520510RJT](#) [352075KJT](#) [M55342K11B9E53RUL](#) [RMC16-102JT](#) [RMC1JPTE](#) [TR0603MR-](#)  
[075K1L](#) [5-2176094-4](#) [35202K7JT](#) [WF06Q1000FTL](#) [ERJ-S03J1R0V](#) [ERJ-S14J4R7U](#) [CHP2512L4R30GNT](#) [CPCC10270R0JE32](#)  
[WR12X1621FTL](#)