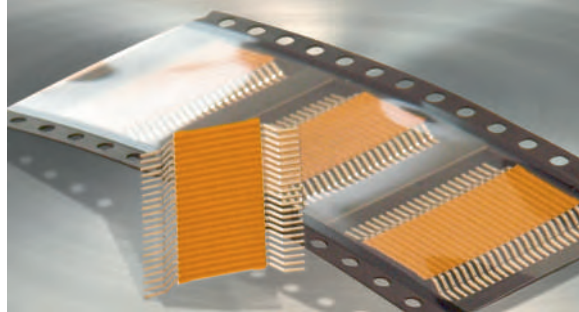


PANTA SMD



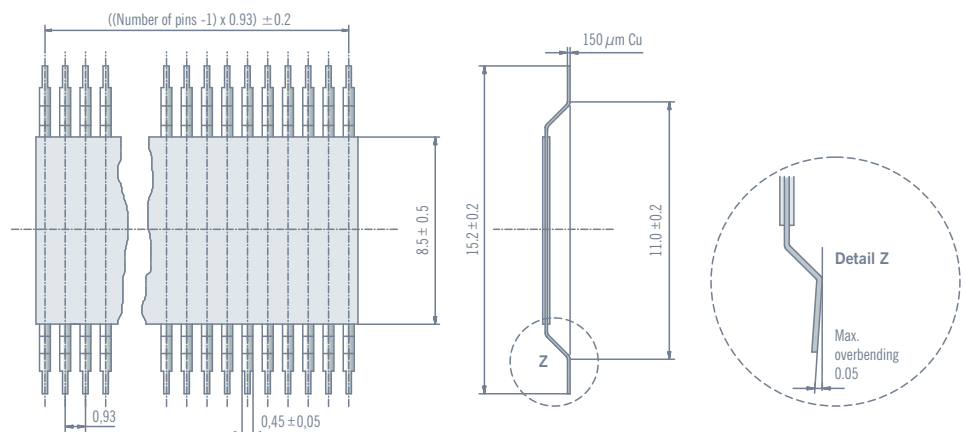
PRODUCT DESCRIPTION

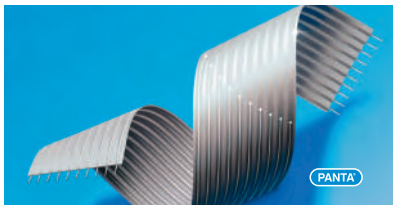
The PANTA SMD jumper has been designed to connect sandwiched PCBs or PCBs positioned at different angles. It offers the user a great variety of possible configurations when designing electronic devices.

- ▶ High flexibility and compensation of tolerances
- ▶ Resistance to high temperatures
- ▶ Placement by SMD assembly machines
- ▶ Can be reflow soldered
- ▶ Best solution to interconnect 90° and 180° SMD boards

CHARACTERISTICS

- ▶ Available pitch: 0.93 mm
- ▶ Bridge length: 11.2 mm
- ▶ Total length: 15.2 mm
- ▶ Number of pins: 6, 9, 11 and 22
- ▶ Packaging unit: 1500 pcs on returnable reel
- ▶ Special pitches and other pin counts on request
- ▶ Customized SMD solutions available. Tooling costs will be charged.





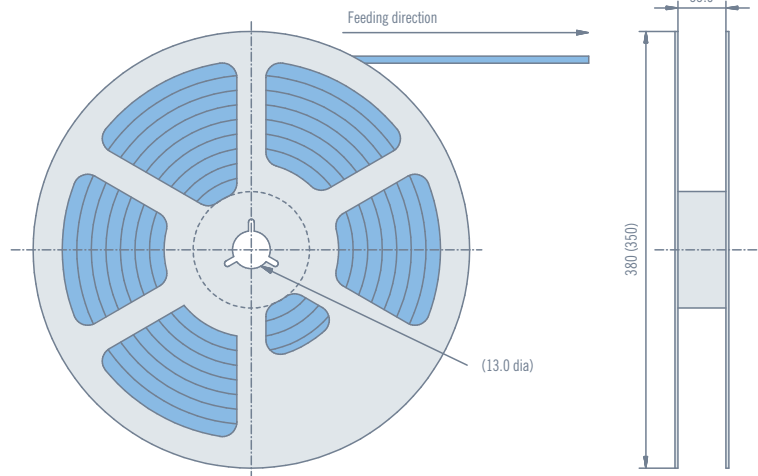
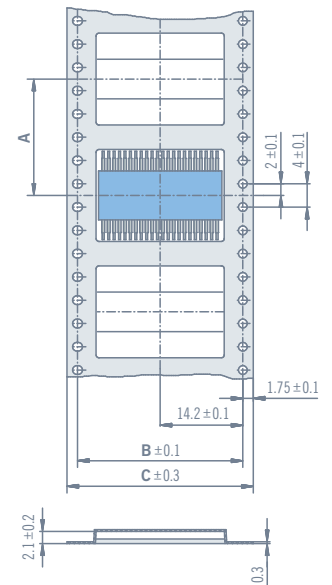
PANTA SMD

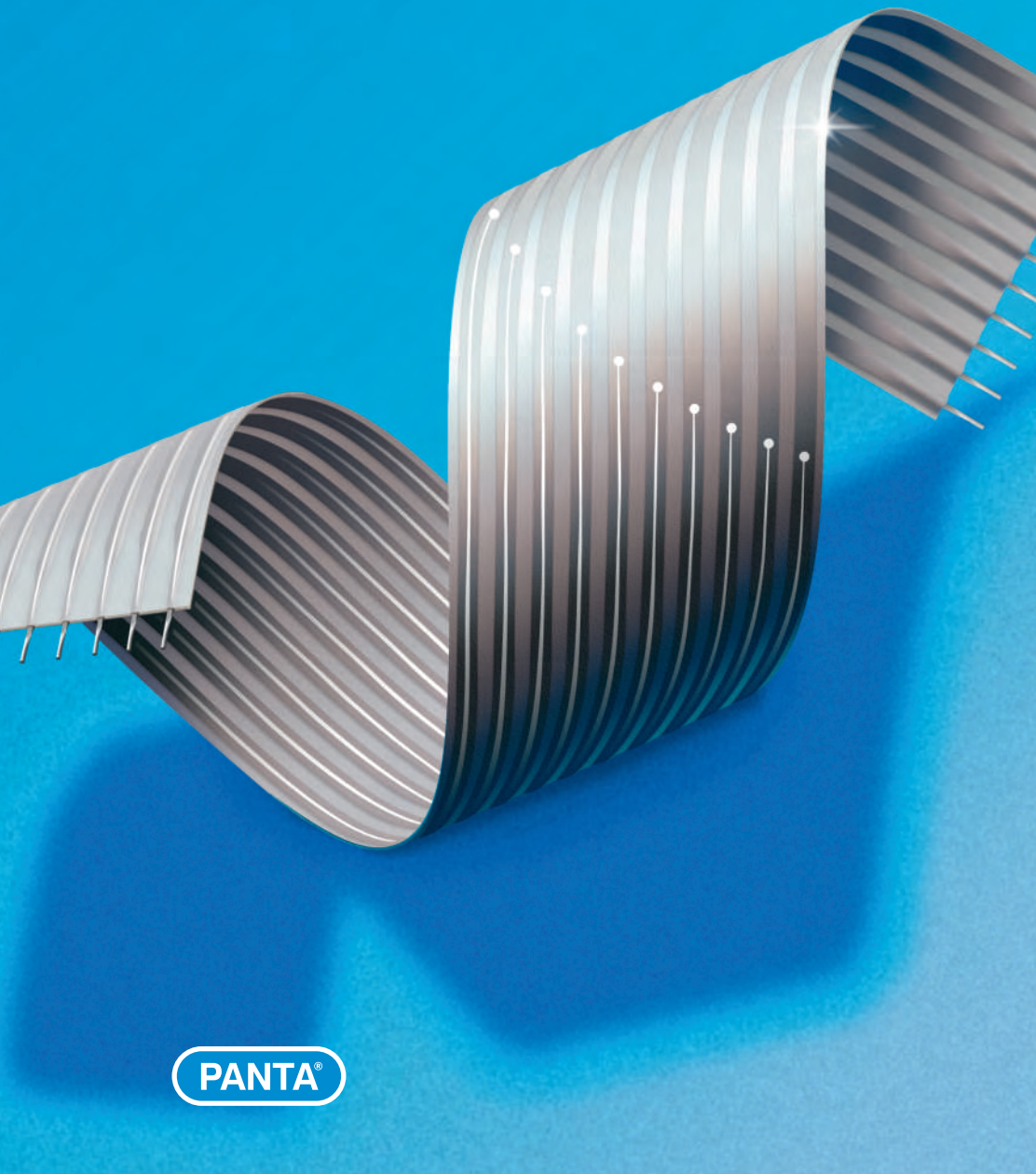
ORDER CODE

	Number of pins	Pitch E=0.93 mm	Insulation length 8.3 mm
SMD - 22 - 093 - K - 083 - □			
Insulation material K = Polyimide			Special designs on request, drawing required

TECHNICAL DATA

Pitch	mm	0.93
Max. number of pins		6 to 22
Insulation material		Polyimide insulation 25 μm + adhesive
Insulation resistance	Ω	10 ⁸
Coplanarity	mm	0,15
Min. bending radius	mm	2.0
Max. bending cycle		20 x 135°
Conductor material		Cu 150 μm SN
Current rating at 20°C	A	1
Soldering temperature	°C/sec.	260/10 reflow solderable
Operating temperature	°C	-40°C to +125°C





PANTA®



SUMIDA flexible connections GmbH
Agathe-Zeis-Straße 5 · D-01454 Radeberg · Germany
Phone +49 3528 404030 · Fax +49 3528 404040
infoflexible@eu.sumida.com · www.sumida-flexcon.com



X-ON Electronics

Largest Supplier of Electrical and Electronic Components

Click to view similar products for [Gate Drivers](#) category:

Click to view products by [Sumida](#) manufacturer:

Other Similar products are found below :

[00028](#) [00053P0231](#) [8967380000](#) [56956](#) [CR7E-30DB-3.96E\(72\)](#) [57.404.7355.5](#) [LT4936](#) [57.904.0755.0](#) [5801-0903](#) [5803-0901](#) [5811-0902](#)
[5813-0901](#) [58410](#) [00576P0030](#) [00581P0070](#) [5882900001](#) [00103P0020](#) [00600P0005](#) [00-9050-LRPP](#) [00-9090-RDPP](#) [5951900000](#) [01-](#)
[1003W-10/32-15](#) [LTI LA6E-1S-WH-RC-FN12VXCR1](#) [0131700000](#) [00-2240](#) [LTP70N06](#) [LVP640](#) [0158-624-00](#) [5J0-1000LG-SIL](#) [020017-13](#)
[LY1D-2-5S-AC120](#) [LY2-0-US-AC120](#) [LY2-US-AC240](#) [LY3-UA-DC24](#) [00-5150](#) [00576P0020](#) [00600P0010](#) [LZNQ2M-US-DC5](#) [LZNQ2-](#)
[US-DC12](#) [LZP40N10](#) [00-8196-RDPP](#) [00-8274-RDPP](#) [00-8275-RDNP](#) [00-8609-RDPP](#) [00-8722-RDPP](#) [00-8728-WHPP](#) [00-8869-RDPP](#) [00-](#)
[9051-RDPP](#) [00-9091-LRPP](#) [00-9291-RDPP](#)