

Level Sensors with Magnetic Floats



APPLICATIONS

- Liquid container monitoring in household appliances, automotive applications, test and measurement, and control technology.

FEATURES

- Depending on mounting position/movement direction, the sensor opens or closes with the rising, respectively the sinking liquid level
- Different versions available for mounting from inside or from outside
- High power switches available

DESCRIPTION

Standard liquid level sensor. The sensor has to be mounted horizontally for best results.

Following materials are available:

PP (Polypropylene) for water applications and dilute acids

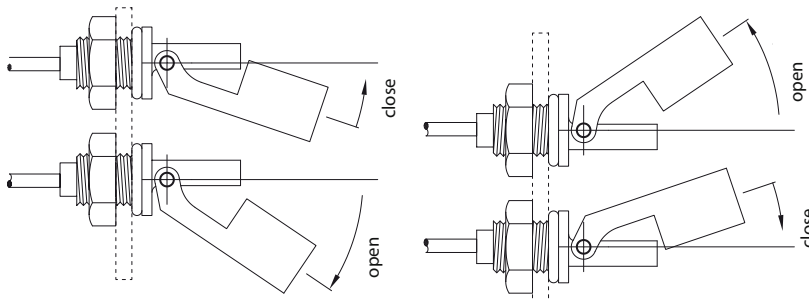
PA (Polyamide) for use in oil, gasoline (petrol) and brake fluid

The standard termination is a PVC cable with a cross section of 0.14 mm² and a length of 500 mm. The cable can be modified on request.

MATERIALS

PA version	
Stem, nut	Polyamide black
Float	Polyamide black
Seal	Nitrile rubber
PP version	
Stem, nut	Polypropylene white
Float	Polypropylene white
Seal	Nitrile rubber

MOVEMENT DIRECTION

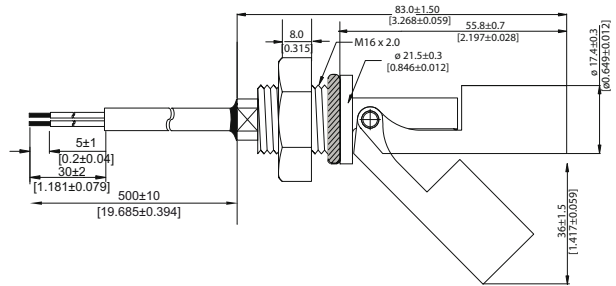


VERSIONS & DIMENSIONS

All dimensions in mm [inch]

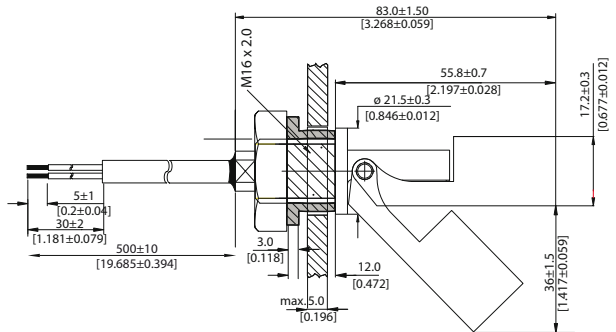
Standard

- Mounting from inside, thread M16 x 2.0
- Insertion hole: \varnothing 16.5 mm
- Sealing from inside with O-ring.



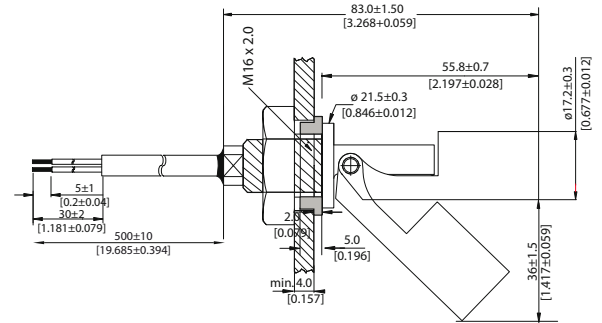
DL Type

- Mounting from outside, thread M16 x 2.0
- Insertion hole: \varnothing 22 mm - 24mm
- 12 mm wide sealing, suitable for low filling pressure
- Wall thickness max. 5 mm



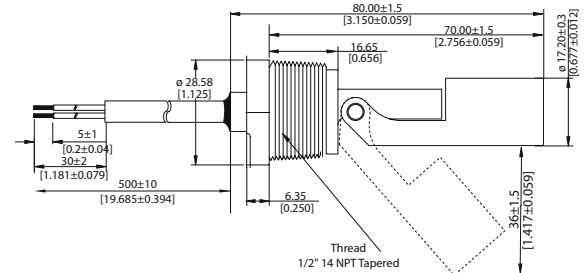
DK Type

- Mounting from outside, thread M16 x 2.0
- Insertion hole: \varnothing 22 mm
- 5 mm narrow sealing, suitable for high filling pressure
- Wall thickness min. 4 mm



GZ Type

- Mounting from outside, tapered thread 1/2" (no sealing necessary)
- Insertion hole: 1/2" thread



Level Sensors with Magnetic Floats

CONTACT DATA

All Data at 20° C	Switch Model → Contact Form →	Switch 66 Form A			Switch 85 Form A			
Contact Ratings	Conditions	Min.	Typ.	Max.	Min.	Typ.	Max.	Units
Switching Power	Any DC combination of V & A not to exceed their individual max.'s			10			100	W
Switching Voltage	DC or peak AC			200			1000	V
Switching Current	DC or peak AC			0.5			1.0	A
Carry Current	DC or peak AC			1.25			2.5	A
Static Contact Resistance	w/ 0.5 V & 10 mA			150			150	mΩ
Dynamic Contact Resistance	Measured w/ 0.5 V & 50 mA , 1.5 ms after closure			200			200	mΩ
Insulation Resistance across Contacts	100 volts applied	10 ^{10*}			10 ¹¹			Ω
Breakdown Voltage across Contact	Voltage applied for 60 sec. min.	225 *			700			VDC
Operation Time incl. Bounce	Measured w/ 50 % overdrive			0.5			1.0	ms
Release Time	Measured w/ no coil suppression			0.1			0.1	ms
Capacitance	at 10 kHz cross contact		0.2			0.7		pF
Environmental Data								
Shock Resistance	1/2 sinus wave duration 11 ms			50			50	g
Vibration Resistance	From 10 - 2000 Hz			20			20	g
Ambient Temperature	10°C/ minute max. allowable	-20		90	-20		130	°C
Stock Temperature	10°C/ minute max. allowable	-20		100	-55		130	°C
Soldering Temperature	5 sec. dwell			260			260	°C
Please note: The indicated electrical data are maximum values and can vary downwards when using a more sensitive switch.								
* Insulation resistance of 10 ¹² and breakdown voltage of 480 VDC is available. These ranges refer to the uncut / unmodified Reed Switches described in our Reed Switch section. Consult factory if more detail is required.								

ORDER INFORMATION

Series	Version	Contact Form	Switch Model	Material	Cable Length (mm)	Termination
LS03 -		XX	XX -	XX -	XXX	X
Option	(Standard)	1 Form A	66, 85	PA, PP	500 *	W
	/ DL -		66, 85			
	/ DK -		66, 85			
	/ GZ -		66, 85			
* Other cable lengths available.						

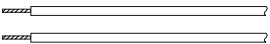
Part Number Example

LS03/DL - 1A66 - PA - 500 W

- DL** is the version
- 1A** is the contact form
- 66** is the switch model
- PA** is the material
- 500** is the cable length (mm)
- W** is the termination

TERMINATION

For wire and termination details please contact factory.

W		The cable cut length includes: 5 mm of wire stripped and tinned
----------	---	--

X-ON Electronics

Largest Supplier of Electrical and Electronic Components

Click to view similar products for [Liquid Level Sensors](#) category:

Click to view products by [MEDER](#) manufacturer:

Other Similar products are found below :

[F03-16PT-1M](#) [FSH-21](#) [FSH-25](#) [FSH-34](#) [FSH-35](#) [FSV-31](#) [FSV-35](#) [LRNH31S41](#) [FSH-31](#) [RSF14Y100RF](#) [F03-16PT-10M](#) [LL01-1AB01](#)
[F03-16PS-F](#) [F03-16SF-5M](#) [F03-16PE-5M](#) [F03-16PT-5M](#) [K7L-U](#) [LBFS 1151](#) [LL8951T5](#) [SCN-1518SC](#) [LL103000](#) [LRNR31N01](#) [K7L-](#)
[AT50DB](#) [F03-16PT-2M](#) [14102](#) [RSF107H100GV](#) [MS03-PP](#) [KSL-100-1](#) [LS01-1A66-PP-2000W](#) [LS01-1B66-PP-500W](#) [LS02-1A66-S-500W](#)
[LS02-1B66-S-500W](#) [LS02-1B85-PP-5000W](#) [LS03-1A85-PP-500W](#) [LS03/DL-1A85-PA-500W](#) [RSF26H050TG](#) [EL-3N](#) [LL01-1AA01](#)
[LRNH31S42](#) [MS10C](#) [SSH66XE34N100](#) [SSH66TE34N100S](#) [TSF76H100DN](#) [TSF76H050TV](#) [OLS500D3L](#) [RSF88Y100R](#) [RSF76Y100RN](#)
[RSF54Y100RC](#) [RSF53Y100RC](#) [OLS200D3LSH](#)