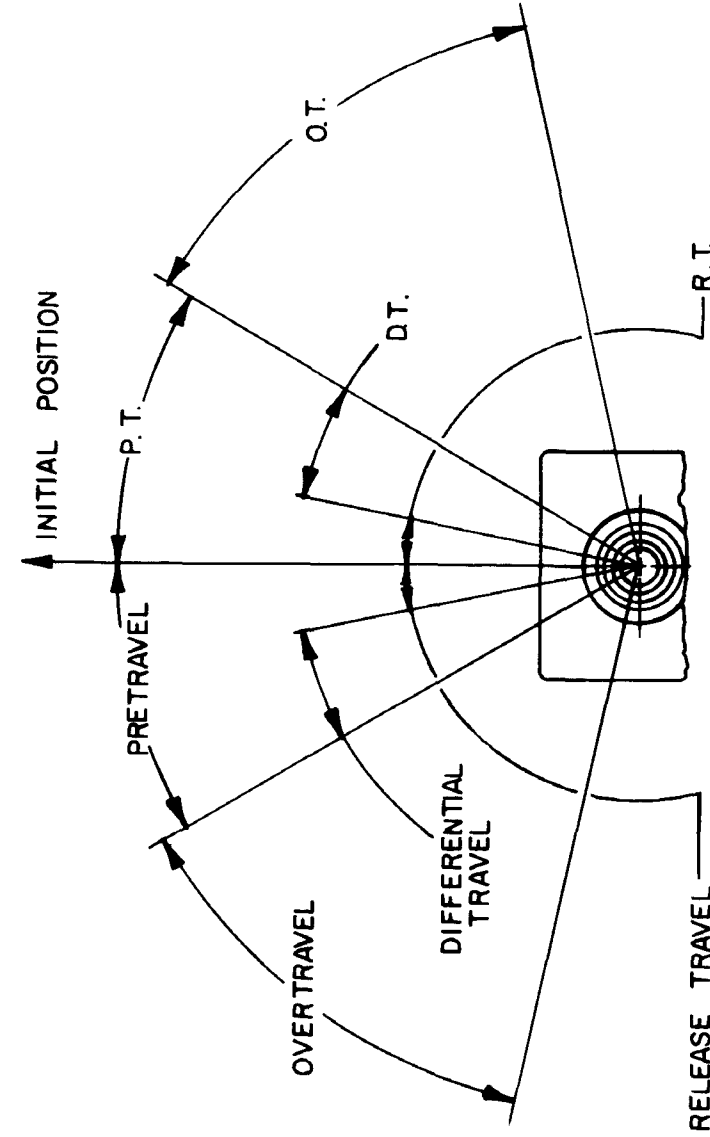
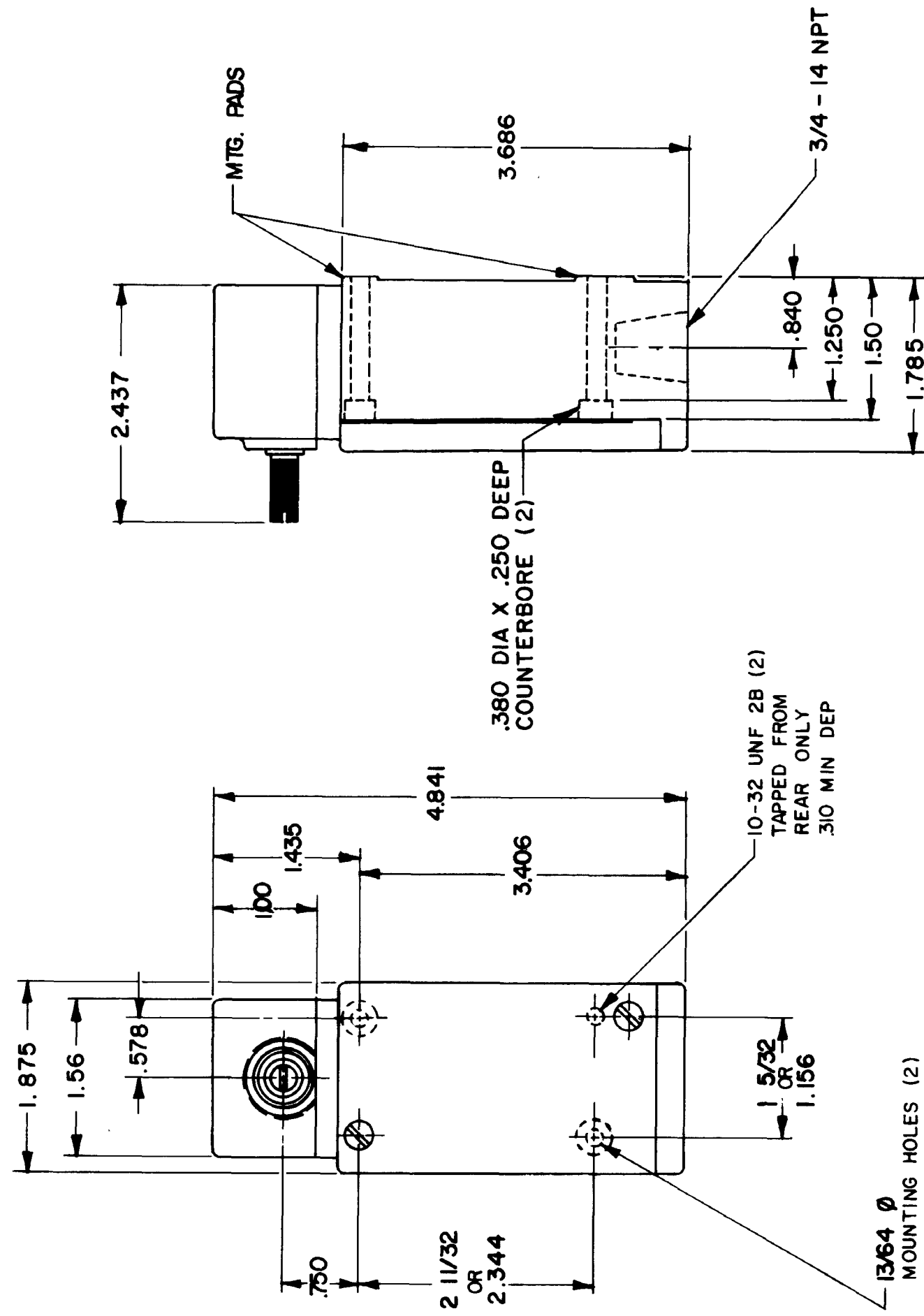


REV. NO.	DATE	BY	CHKD.	DESCRIPTION
A	082689			
B	093789			
C	204630			
D	206344			
E	0002358			

SIDE ROTARY

SINGLE POLE AND DOUBLE POLE (NON PLUG IN)



OPERATING CHARACTERISTICS	LS2A MOMENTARY		LS2M CENTER NEUTRAL DOUBLE POLE ONLY		LS2N MAINTAINED		LS2H MOMENTARY LOW PRETRAVEL & LOW TORQUE		LS2L SEQUENCE DOUBLE POLE ONLY				
	PRETRAVEL (MAX)	OVERTRAVEL (MIN)	DIFFERENTIAL TRAVEL (MAX)	TOTAL TRAVEL (REF)	OPERATING TORQUE (MAX)	FULL TRAVEL TORQUE (MAX)	PRETRAVEL (MAX)	OVERTRAVEL (MIN)	DIFFERENTIAL TRAVEL (MAX)	TOTAL TRAVEL (REF)	OPERATING TORQUE (MAX)	FULL TRAVEL TORQUE (MAX)	SEQUENCE
15°	60°	75°	4 IN. LBS	4 IN. LBS	4 IN. LBS	4 IN. LBS	9°	66°	75°	1.7 IN. LBS	1.7 IN. LBS	4 IN. LBS.	1ST STEP 15°-2 ND STEP 10° ADD 1'
5°	7°	7°	4 IN. LBS	4 IN. LBS	4 IN. LBS	4 IN. LBS	3°	4°	4°	1.7 IN. LBS	1.7 IN. LBS	4 IN. LBS.	48°
5°	7°	7°	4 IN. LBS	4 IN. LBS	4 IN. LBS	4 IN. LBS	3°	4°	4°	1.7 IN. LBS	1.7 IN. LBS	4 IN. LBS.	5°
5°	7°	7°	4 IN. LBS	4 IN. LBS	4 IN. LBS	4 IN. LBS	3°	4°	4°	1.7 IN. LBS	1.7 IN. LBS	4 IN. LBS.	75°

MASTER REDUCED

THIS DRAWING COVERS A PROPRIETARY ITEM AND IS THE PROPERTY OF MICRO SWITCH A DIVISION OF HONEYWELL THIS DRAWING IS NOT TO BE COPIED OR USED WITHOUT THE APPROVAL OF MICRO SWITCH

MICRO SWITCH FREEPORT ILLINOIS U.S.A. A DIVISION OF HONEYWELL <small>FED. MFG. CODE 91929</small>	SWITCH - ENCLOSED	CATALOG LISTING LS2 SERIES CHART 1
---	-------------------	---

THIRD ANGLE PROJECTION

 SCALE NONE
 DO NOT SCALE PRINT

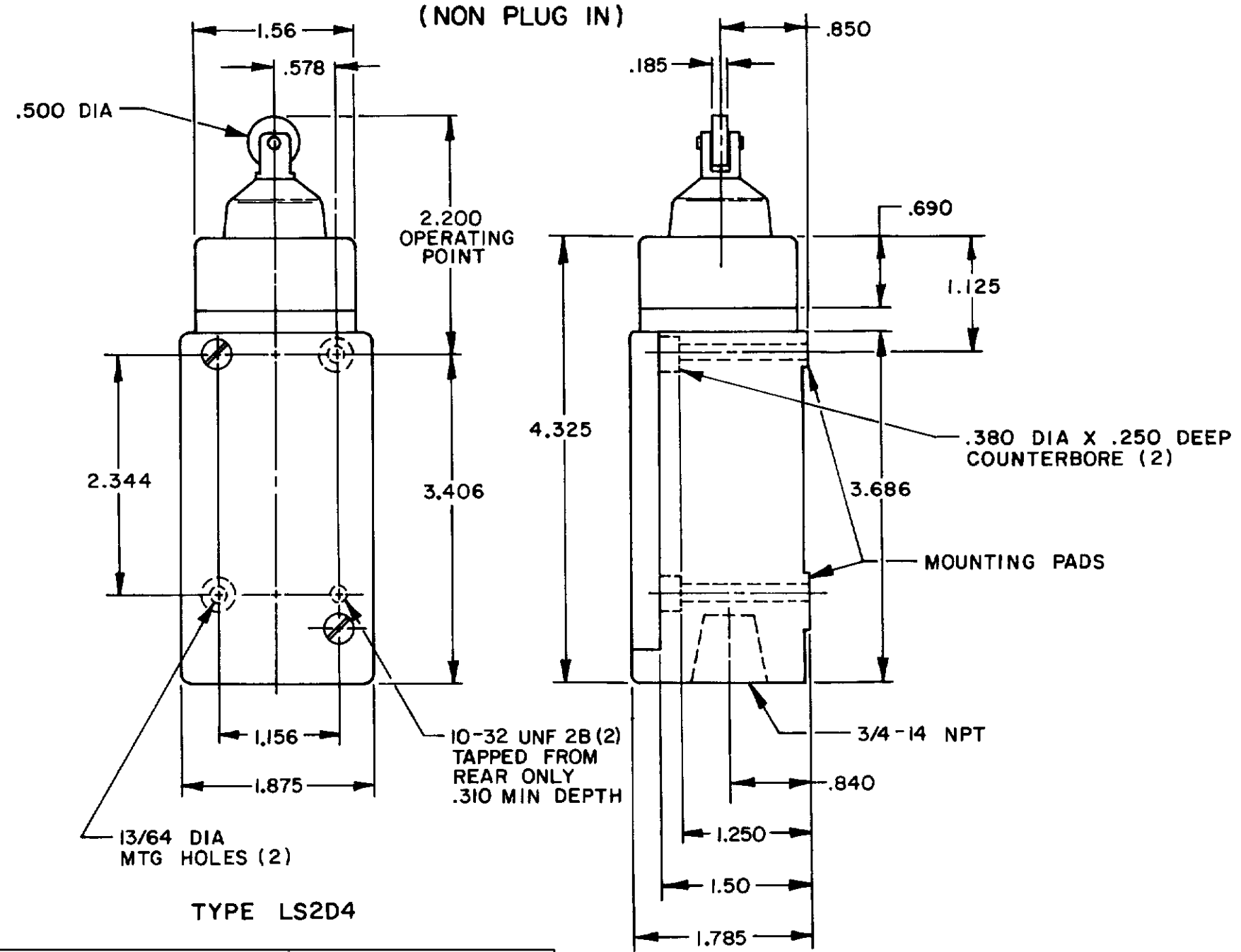
CATALOG LISTING
 LS2 SERIES
 CHART 1
 PAGE 2 OF 4
 RELEASE NO. CO-78498
 REPLACES
 ISSUE 7
 CHECK
 REVISIONS
 A 20 02000
 J A K 13 NOV 95
 B 03 83227
 J A K 6 NOV 96
 C 0093789
 D L 29 OCT 98
 D 204630
 2 JAN 02
 E 208344
 MDM 5 SEP 02
 F 0002358
 C S L 2 DEC 03
 CHECK J A F 17 NOV 95
 CHECK J A F 13 NOV 95
 DRAWN J A K 13 NOV 95
 RASTER

MICRO SWITCH
 a Honeywell Division
FED. MFG. CODE 91929

SWITCH - ENCLOSED

CATALOG LISTING
LS2 SERIES
CHART 1

PLUNGER TYPE TOP
SINGLE POLE AND DOUBLE POLE
(NON PLUG IN)



TYPE LS2D4

THIS DRAWING COVERS A PROPRIETARY ITEM AND IS THE PROPERTY OF MICRO SWITCH, A DIVISION OF HONEYWELL. THIS DRAWING IS NOT TO BE COPIED OR USED WITHOUT THE APPROVAL OF MICRO SWITCH

CHARACTERISTICS	ELECTRICAL DATA
OPERATING FORCE----- 4 LBS MAX	CONTACT ARRANGEMENT
OPERATING POINT ----- 2.200±.040	
FULL OVERTRAVEL FORCE--- 7 LBS MAX	
PRETRAVEL ----- .070 MAX	
DIFFERENTIAL TRAVEL --- SP - .015 MAX D.P. - .020 MAX	
OVERTRAVEL ----- .190 MIN	

THIRD ANGLE PROJECTION

SCALE NONE
DO NOT SCALE PRINT
UNLESS OTHERWISE SPECIFIED TOLERANCES ARE
ONE PLACE (.0) ±.030
TWO PLACE (.00) ±.015
THREE PLACE (.000) ±.005
ANGLES ±
WEIGHT

NOTE
 1 OPERATING POINT GIVEN IN RELATION TO TOP MOUNTING HOLE
 2 NOT APPLICABLE FOR 3N (DIRECT ACTING BASIC)

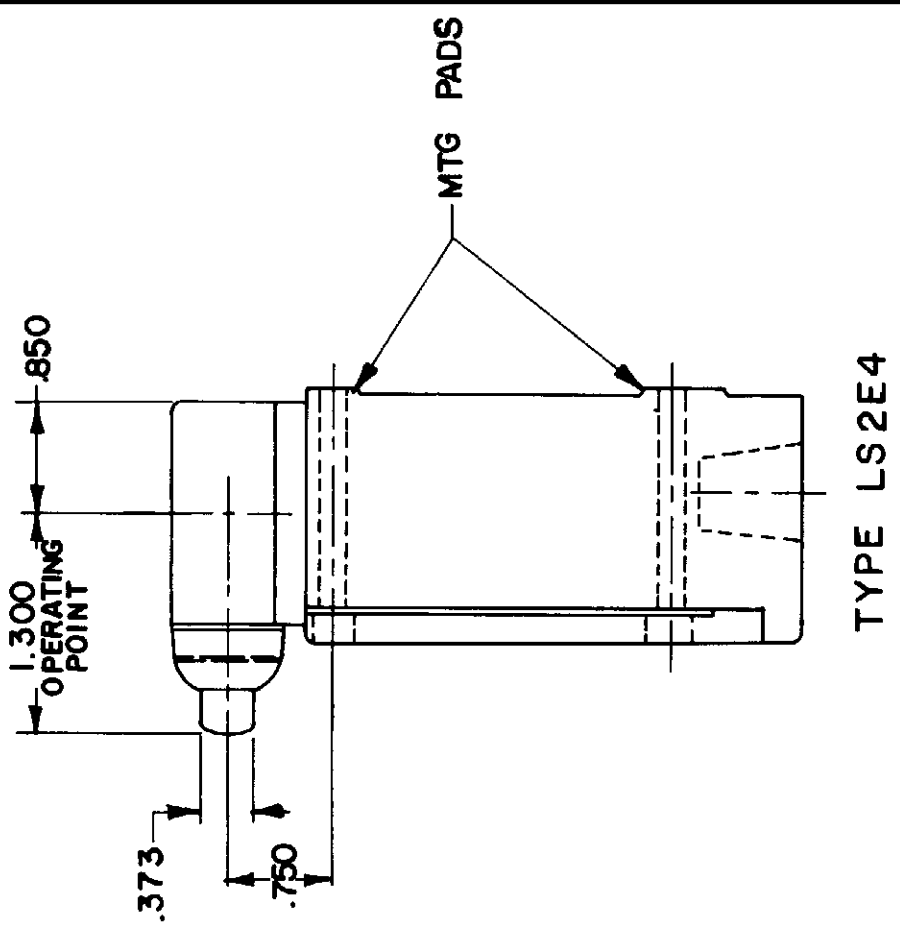
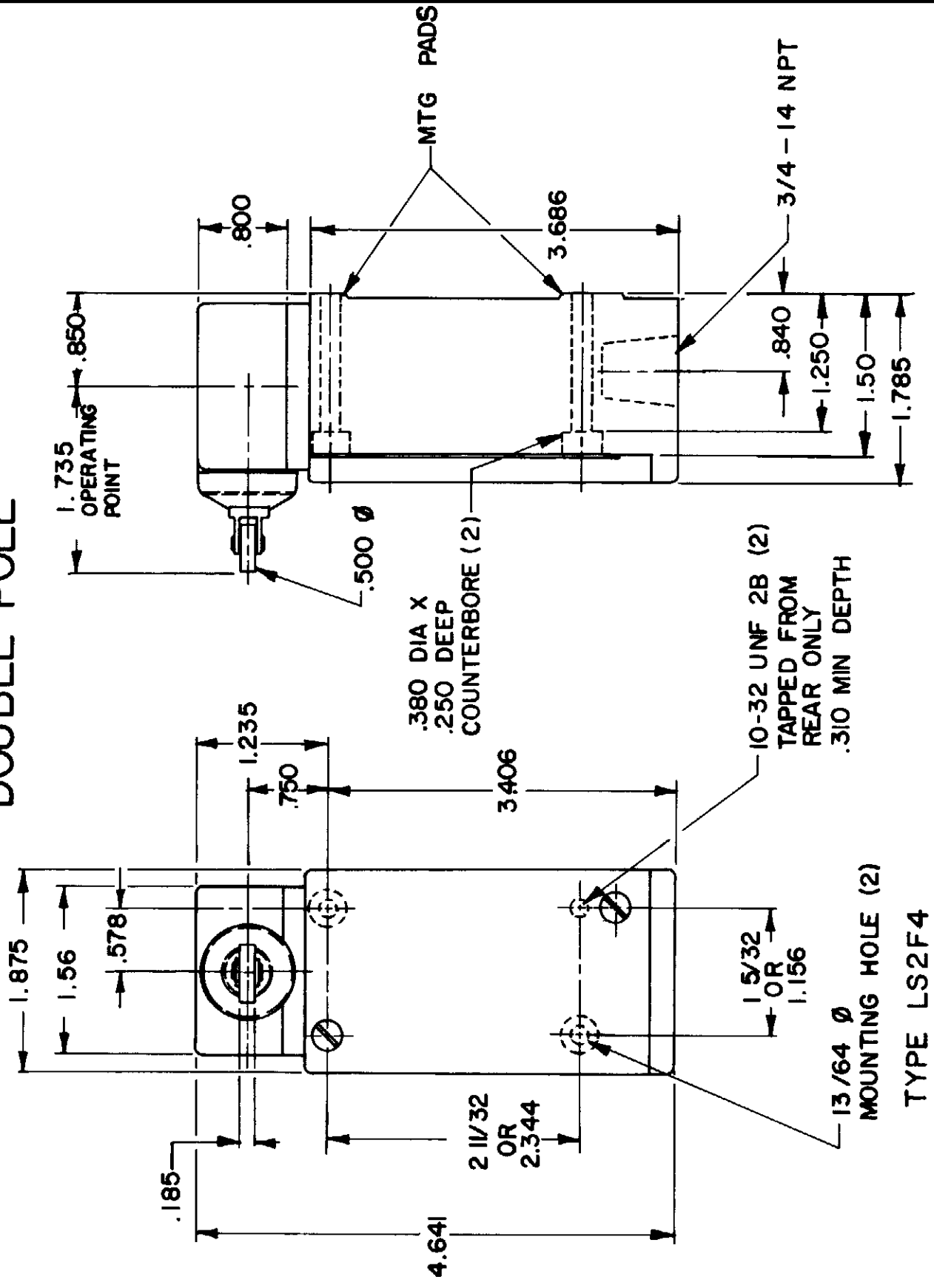
RASTER
DRAWN
KEU 14 JUL 94

CHECK JAF 18 AUG 94

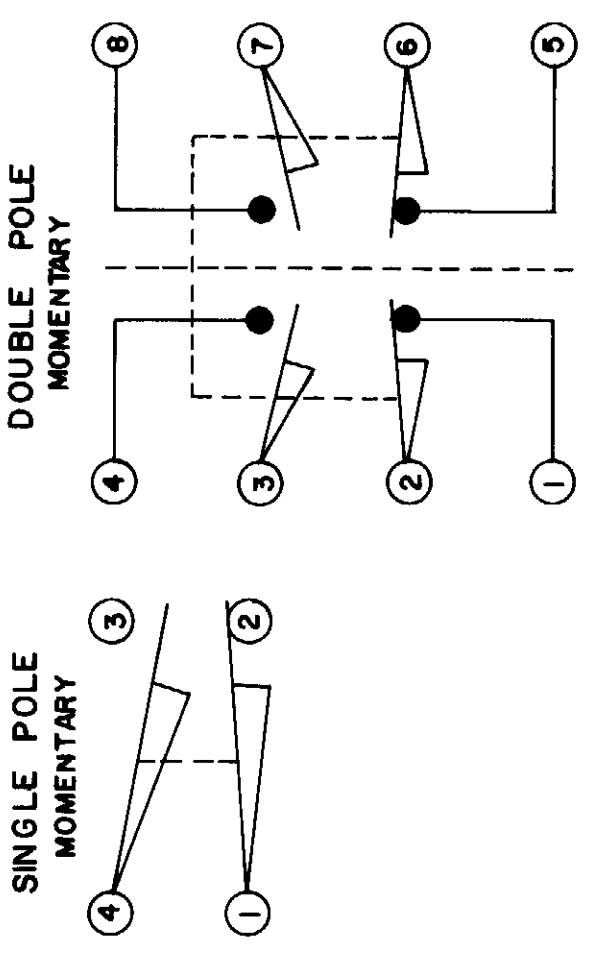
REVISIONS
A 0093789
29 OCT 98
B 204630
2 JAN 02
C 206344
5 SEP 02
D 0002358
2 DEC 03

CATALOG LISTING
M LS2 SERIES CHART 1
PAGE 3 OF 4
RELEASE NO. CO-78498 REPLACES LS2 SERIES

SINGLE POLE (NON PLUG IN)
AND
DOUBLE POLE
SIDE PLUNGER (NON PLUG IN)
DOUBLE POLE



WIRING BASIC SWITCH
(SAME POLARITY MUST BE OBSERVED FOR EACH POLE)



SEE SIDE VIEW FOR OPERATING POINTS

CHARACTERISTICS	
PRETRAVEL (MAX)	.100
DIFFERENTIAL TRAVEL (MAX)	.045
OVERTRAVEL (MIN)	.190
OPERATING FORCE (MAX)	6 LBS
FULL OVERTRAVEL FORCE (MAX)	6 LBS

ELECTRICAL RATINGS

10 AMP CONT.

A.C. VOLTAGE	AMPS AT .35 POWER FACTOR	
	SINGLE POLE	DOUBLE POLE
120	MAKE 60 BREAK 6	MAKE 30 BREAK 3
240	30 3	15 1.5
480	15 1.5	7.5 .75
600	12 1.2	6 .6

D.C. VOLTAGE	MAKE & BREAK	
	INDUCTIVE	RESISTIVE
120	0.25	0.80
240	0.15	0.40

M LS2 SERIES CHART 1

THIS DRAWING COVERS A PROPRIETARY ITEM AND IS THE PROPERTY OF MICRO SWITCH A DIVISION OF HONEYWELL THIS DRAWING IS NOT TO BE COPIED OR USED WITHOUT THE APPROVAL OF MICRO SWITCH

MICRO SWITCH
FREEPORT ILLINOIS U.S.A.
A DIVISION OF HONEYWELL
FED. MFG. CODE 91929

CATALOG LISTING
LS2 SERIES
CHART 1

SWITCH - ENCLOSED

MASTER REDUCED

THIRD ANGLE PROJECTION
SCALE NONE
DO NOT SCALE PRINT

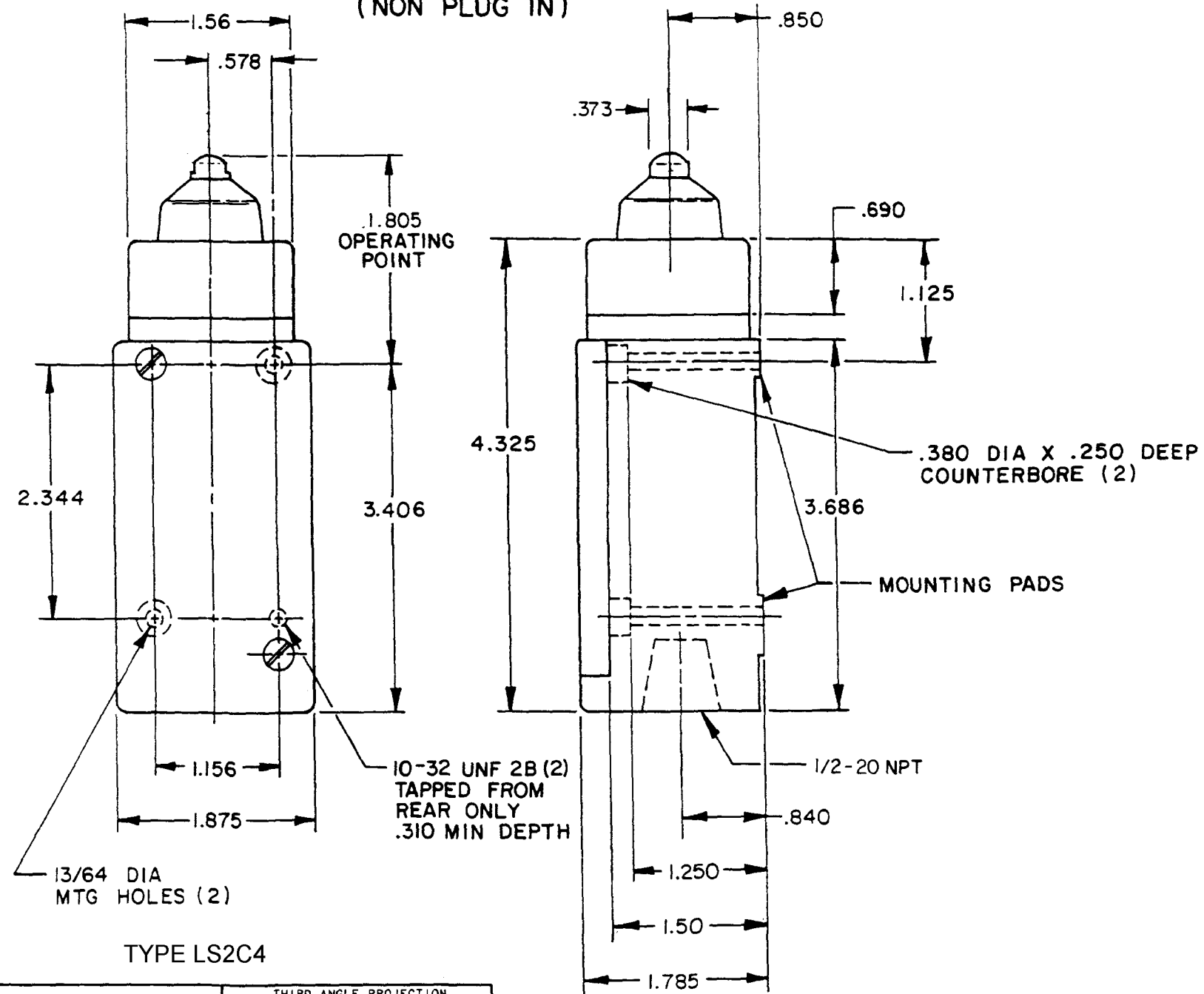
MICRO SWITCH
a Honeywell Division

SWITCH - ENCLOSED

CATALOG LISTING
LS2 SERIES
CHART I

FED. MFG. CODE 91929

PLUNGER TYPE TOP (PLAIN)
SINGLE POLE AND DOUBLE POLE
(NON PLUG IN)



TYPE LS2C4

NOTE
⚠ OPERATING POINT GIVEN IN RELATION TO TOP MOUNTING HOLE

THIS DRAWING COVERS A PROPRIETARY ITEM AND IS THE PROPERTY OF MICRO SWITCH, A DIVISION OF HONEYWELL. THIS DRAWING IS NOT TO BE COPIED OR USED WITHOUT THE APPROVAL OF MICRO SWITCH

THIRD ANGLE PROJECTION

CHARACTERISTICS	ELECTRICAL DATA
OPERATING FORCE ----- 4 LBS MAX	CONTACT ARRANGEMENT
DIFFERENTIAL FORCE ----- 1.805 ± .040	
RELEASE FORCE ----- 7 LBS MAX	
PRETRAVEL ----- .070 MAX	
DIFFERENTIAL TRAVEL ----- S.P. - .015 MAX D.P. - .020 MAX	
OVERTRAVEL ----- .190 MIN	

SCALE	NONE
DO NOT SCALE PRINT	
UNLESS OTHERWISE SPECIFIED TOLERANCES ARE	
ONE PLACE	(.0) ± .030
TWO PLACE	(.00) ± .015
THREE PLACE	(.000) ± .005
ANGLES	±
WEIGHT	

CATALOG LISTING LS2 SERIES CHART I
 ISSUE 7
 PAGE 4 OF 4
 RELEASE NO. PR-20972 REPLACES
 CHECK
 REVISIONS
 A 100-82000
 13 NOV 95
 B 2093789
 29 OCT 98
 C 204630
 2 JAN 02
 D 206344
 5 SEP 02
 E 0002358
 2 DEC 03
 CHECK
 KEU 13 JUN 94
 KEU 13 JUN 94
 RASTER DRAWN

X-ON Electronics

Largest Supplier of Electrical and Electronic Components

Click to view similar products for [Limit Switches](#) category:

Click to view products by [Honeywell](#) manufacturer:

Other Similar products are found below :

[6LS2-4PG](#) [5ML1-E1](#) [5ML31](#) [LZG1](#) [LZL1-6C](#) [622EN114-R](#) [622EN18-6](#) [622EN224-6B](#) [622EN230](#) [622EN237-R](#) [622EN69-3](#) [622EN85-RB](#)
[MA-10019](#) [6PA109](#) [7LS51](#) [83547001](#) [83725002](#) [83830001](#) [83840001](#) [83840701](#) [83841001](#) [83870104](#) [83881140](#) [8AS42](#) [8LS10](#) [8LS125-](#)
[4PG](#) [8LS152-4PGN20](#) [914CE16-3A](#) [914CE3-3L1](#) [915PA10](#) [91MCE16-P2O](#) [924CE16-Y3](#) [924CE1-S6](#) [924CE1-T25A](#) [924CE1-T3](#) [924CE1-](#)
[T9A](#) [924CE2-T9](#) [924CE31-Y20-X5](#) [924CE31-Y3L1](#) [GL-10054](#) [GL-85710](#) [GL-85714](#) [GLAB26J2B](#) [GLDB03C-6](#) [GLZ324](#) [PS21R-](#)
[NT11N7-YK0](#) [D4A-1106N](#) [D4A1201N](#) [D4A-3E02N](#) [D4A-4510N](#)