

Features:

- No UV or IR light radiation.
- Provide 120° beam angles.
- Easy Installation
- Very Low Power Consumption:
Less than 14.4Watts/m
- Long lifetime: 25000 hours (L₇₀).
- High CRI: 70-85
- Correlated Color Temperature: RGB color
- Operating temperature: -20°C ∞ +60°C
- 12V DC input.
- 60 leds per meter, each 3 leds as one series, each series can be cutted ,5 meter per roll.
- Led type:5050 LED
- Waterproof grade IP20



Benefits:

- Energy Cost Savings:
Over 60% Compared to Incandescent.
- Solid-State:
High-Shock & High-Vibration Resistant,
Both Electrical and Mechanical
- Eco-Friendly:
No Mercury, No Lead Content
- No Hazardous Emissions:
No UV or IR Radiation
- Constant Light Output:
Even Lighting, Non-Halation

Application:

- Entertainment Lighting
- Architectural lighting
- City Beautification
- Landscape lighting.
- Furniture decoration
- Bar lighting
- Other lighting

Product Specifications:

Input Voltage	12V DC
Wattage	14.4W/m
Operating Frequency	50-60Hz
Operating Temperature	-20°C ∞ +60°C
Storage Temperature	-30°C ∞ +70°C
Net Weight per piece (g)	----
Certification	RoHS Compliant

Product Selection Guide:

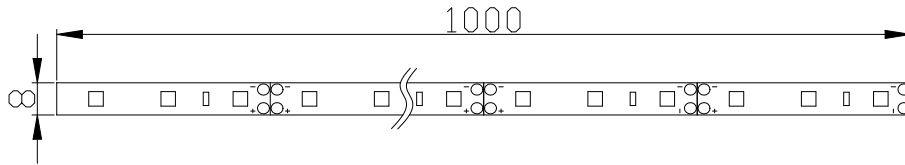
Product	Beam Angle	Total Lumens	CCT/Wavel ength	Color	CRI
LS-5050WW60RN-2	120°	960±5%	2700-3500K	Warm White	≧ 70
LS-5050W60RN-2	120°	1080±5%	6000-6500K	White	≧ 70

LS-5050/XX/60/RN/2

① ② ③ ④ ⑤ ⑥

- ① LS: Light Strip
- ② 5050: LED Type
- ③ XX: WW(Warm White) W (White)
- ④ 60: 60 pcs of LED
- ⑤ RN: DC 12V
- ⑥ 2: Waterproof grade IP20

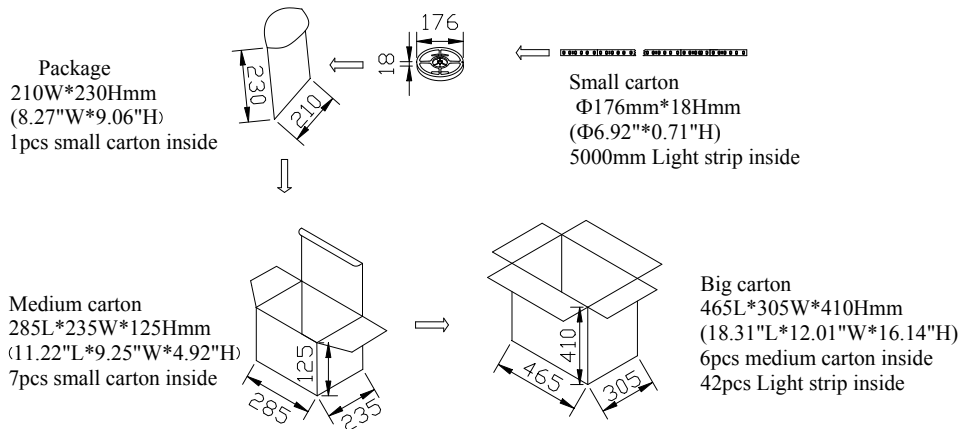
Product Dimensions:



Notes:

1. All dimensions unit in mm
2. Tolerances are $\pm 0.5\text{mm}$ unless otherwise noted.

Package Dimension



Installation Instructions and Warnings:

- Turn off power before inspection, installation, or removal.
- Not for use where exposed to the weather
- Do not use in totally enclosed fixtures.
- Please make sure to use a suitable adapter. Please mind the minimum load of your adapter.

X-ON Electronics

Largest Supplier of Electrical and Electronic Components

Click to view similar products for [LED Lighting Bars and Strips](#) category:

Click to view products by [Lucky Light](#) manufacturer:

Other Similar products are found below :

[ZLF0310W62524](#) [LF1D-F2F-2W-300](#) [HH-SWW320F210W24-COB IP65](#) [HH-SNW320F210W12-COB IP65](#) [HH-SNW320F010W12-COB IP20](#) [HH-SNW320F210W24-COB IP65](#) [HH-SNW320F010W24-COB IP20](#) [HH-SNW528F210W12-COB IP65](#) [HH-SNW528F010W12-COB IP20](#) [HH-SNW528F010W24-COB IP20](#) [HH-SCW320F210W12-COB IP65](#) [HH-SCW320F010W12-COB IP20](#) [HH-SCW528F210W12-COB IP65](#) [HH-SCW528F010W12-COB IP20](#) [HH-SR528F010W12-COB IP20](#) [HH-SR528F010W24-COB IP20](#) [LF2D-EN2F-2W-A](#) [PUUA-100LLL-NK2P](#) [HC-F12V-3535 PCBA](#) [HC-F12V-WS2811-3535](#) [HC-F24V-6L-36LED-W-WS2821/IP20](#) [HC-F5V-144L-144LED-B-WS2813 IP20](#) [HC-F5V-144L-144LED-B-WS2813 IP65](#) [HC-F5V-144L-144LED-W/IP65](#) [HC-F5V-144L-144LED-W-WS2813 IP20](#) [HC-F5V-30L-30LED-B-WS2813 IP20](#) [HC-F5V-60L-60LED-B-WS2813 IP20](#) [HC-F5V-60L-60LED-W-WS2813 IP65](#) [HC-T12V-10L-30LED-W/IP20](#) [HC-T12V-16L-48LED-W/IP20](#) [HC-T12V-16L-48LED-W/IP65](#) [HC-T12V-20L-60LED-W/IP65](#) [LFBHL-SW860-24V-12D83-20](#) [LFBLL-SW860-24V-5S200-20-IC](#) [LFBML-MW827860-24V-12D83-20](#) [LFBML-SW827-24V-6S167-20](#) [LM-SAG1-W2](#) [LMV-MINI-W2](#) [LS-2835W120RN](#) [LS-2835W120RN1](#) [LS-2835W60RN2](#) [LS-2835WW120R-1](#) [LS-2835WW60RN](#) [LS-3014WW60RN](#) [LS-3014WW60RN3](#) [LS-3528W60RN-1](#) [LS-3528W60RN-2](#) [LS-5050F60R-2](#) [LS-5050F60RN-3](#) [LS-5050W30RN](#)