

# TitanBrite™

## 2-Watt, 3-Watt and 5-Watt High Power LEDs



### Lumex New TitanBrite™ 2-Watt, 3-Watt and 5-Watt Technologies Offers Superior Heat Dissipation and Unique Packaging

Compared to similar high power LEDs, the new TitanBrite™ products can provide up to a 30% improvement in heat dissipation performance and a 60% enhancement in electrostatic discharge protection. Whereas traditional high power LEDs require an additional heat sink or metal core PCB to control thermal dissipation, the unique packaging of the new TitanBrite products allows for the elimination of the metal core PCB and instead fuses to a lead frame to manage thermal output. This simplifies product design and reduces the number and cost of ancillary materials to make the product perform.

#### Features:

- Offers high intensity light of up to 58, 210 and 300 lumens respectively
- Provides thermal resistance as low as 7°C/Watt
- Available in 2-Watt (SML-LXL8047xxx/2 Series), 3-Watt (SML-LXL8047xxx/3) and 5-Watt (SML-LXL99xxx/5)
- 2-Watt version is available in yellow (591 nm typ) and red (623 nm typ)
- 3-Watt and 5-Watt are offered in blue (465 nm typ), warm white (2700K), and cool white (6000K) with red, green and yellow versions available at no additional cost

#### Applications/Markets

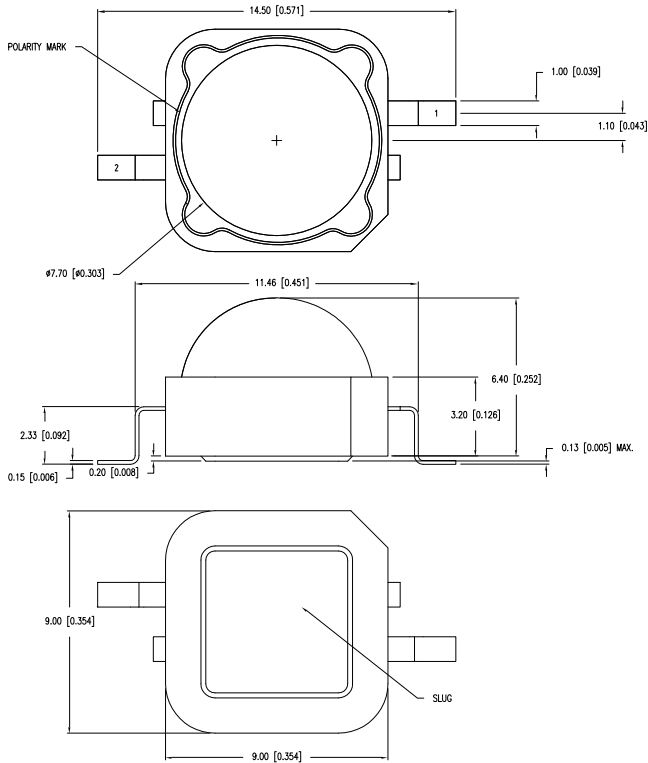
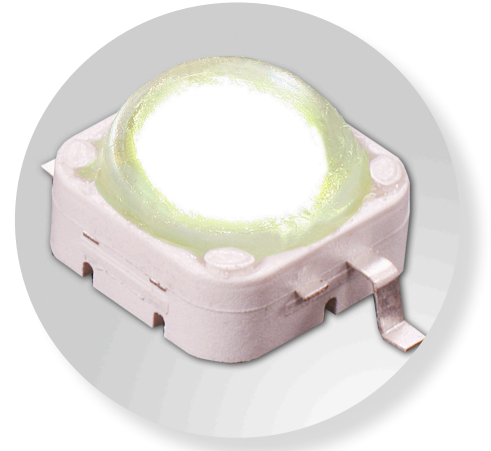
- Automotive
- Small Space Lighting
- Landscape
- Emergency Lighting

**LUMEX**®  
Creating LED and LCD Solutions Together™

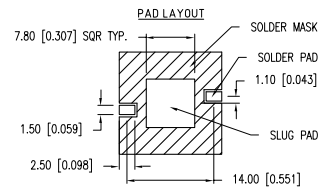
w w w . l u m e x . c o m

8 0 0 . 2 7 8 . 5 6 6 6

# TitanBrite™ High Power LEDs 5-Watt, 9mm Square



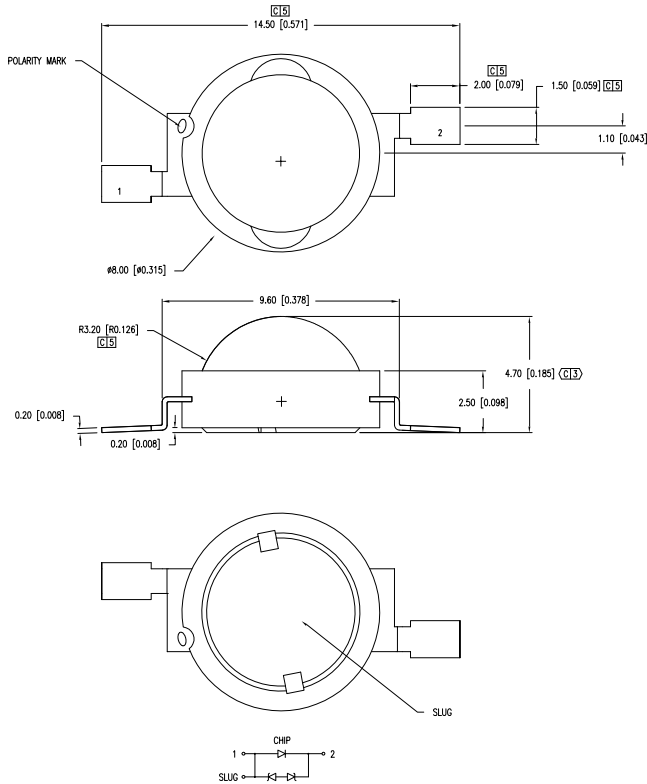
## Recommended Pad Layout



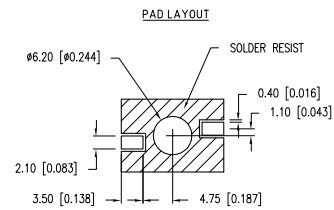
P/N	Emitted Color	Chip Material	Peak Wavelength (nm)	Lens type	Typ. Vf	If (mA)	Intensity Typ.	View Angle 2x Theta
SML-LXL99MWC-TR/5	Warm White	InGaN	n/a, 2700K	Clear	4.5	1200	220 lm	100
SML-LXL99USBC-TR/5	Blue	InGaN	465	Clear	4.5	1200	55 lm	100
SML-LXL99UWC-TR/5	Cool White	InGaN	n/a, 6000K	Clear	4.5	1200	180 lm	100



# TitanBrite™ High Power LEDs 3-Watt, 8mm Round



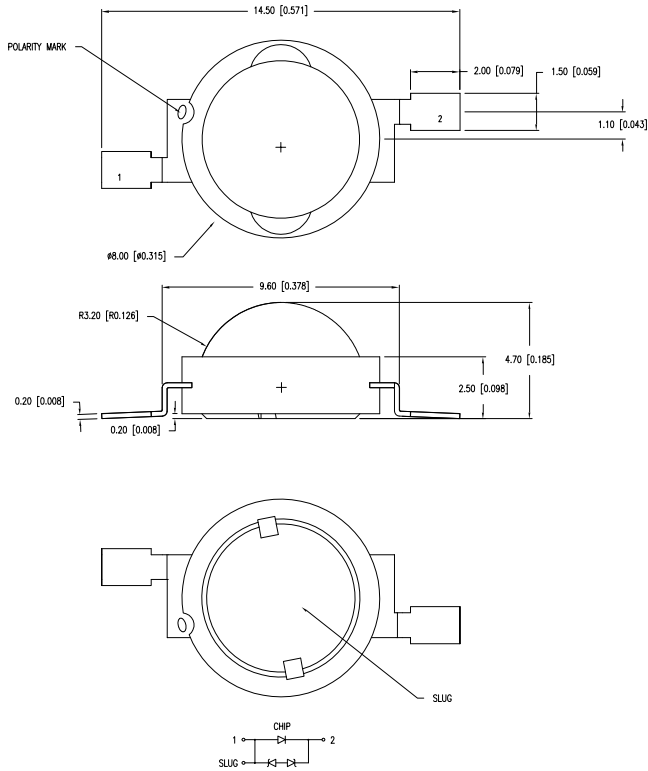
## Recommended Pad Layout



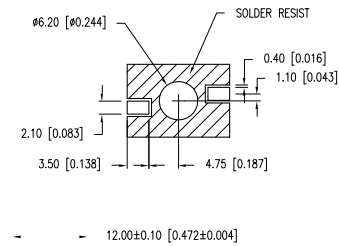
P/N	Emitted Color	Chip Material	Peak Wavelength (nm)	Lens type	Typ. Vf	If (mA)	Intensity Typ.	View Angle 2x Theta
SML-LXL8047MWC-TR	Warm White	InGaN	n/a, 3000K	Clear	4.6	700	140 lm	100
SML-LXL8047USBC-TR3	Blue	InGaN	454	Clear	4.6	700	20 lm	100
SML-LXL8047UWC-TR3	Cool White	InGaN	n/a, 6000K	Clear	4.6	700	160 lm	100



# TitanBrite™ High Power LEDs 2-Watt, 8mm Round



## Recommended Pad Layout

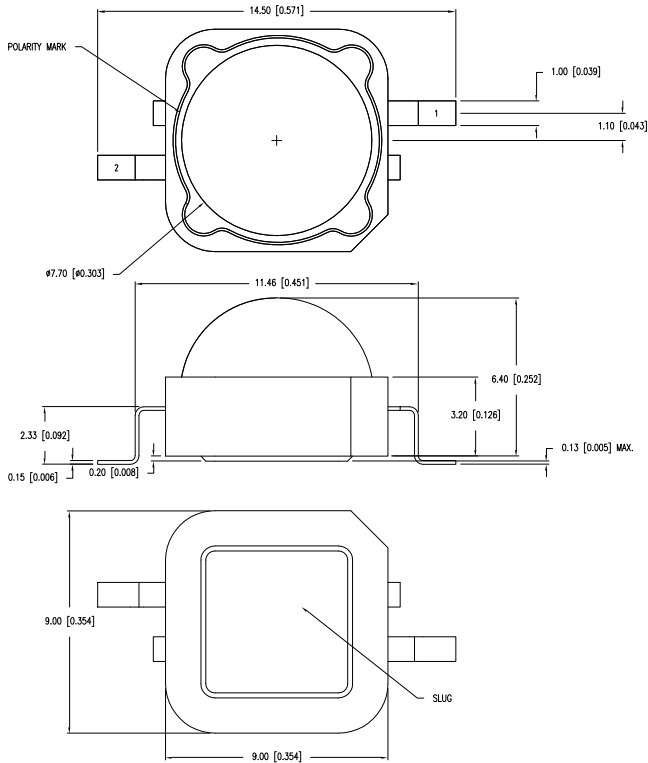
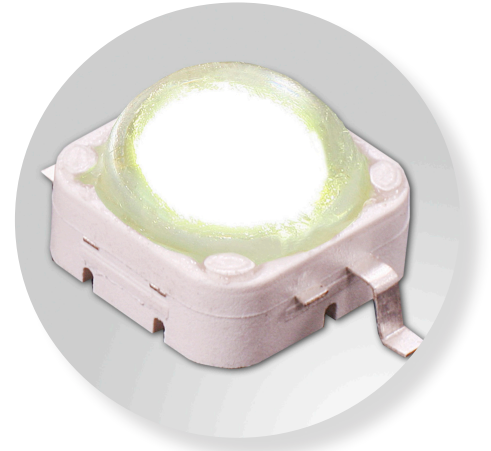


P/N	Emitted Color	Chip Material	Peak Wavelength (nm)	Lens type	Typ. Vf	If (mA)	Intensity Typ.	View Angle 2x Theta
SML-LXL804SIC-TR/2	Red	InGaN	635	Clear	2.7	500	50 lm	100
SML-LXL8047SYC-TR/2	Yellow	InGaN	598	Clear	2.5	500	55 lm	100

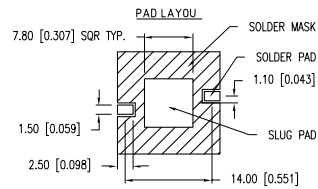


# TitanBrite™ High Power LEDs

## 2-Watt, 9mm Square



### Recommended Pad Layout



P/N	Emitted Color	Chip Material	Peak Wavelength (nm)	Lens type	Typ. Vf	If (mA)	Intensity Typ.	View Angle 2x Theta
SML-LXL99SIC-TR/2	Red	InGaN	635	Clear	2.7	500	42 lm	100
SML-LXL99SYC-TR/2	Yellow	InGaN	598	Clear	2.5	500	58 lm	100





## X-ON Electronics

Largest Supplier of Electrical and Electronic Components

*Click to view similar products for [Standard LEDs - Through Hole category](#):*

*Click to view products by [Lumex manufacturer](#):*

Other Similar products are found below :

[LTL-10254W](#) [LTL-1214A](#) [LTL-1BEDJ](#) [LTL-2231AT](#) [LTL-3251A](#) [LTL-4262N](#) [LTL-5234](#) [LTL87HTBK](#) [LTW-87HD4B](#) [7383/V7C3-BSTA-L/PR3/MS](#) [G22041431007J2C000](#) [HLMP-AG64-X10ZZ](#) [HLMP-EG1A-Z10DV](#) [HLMP-EL3B-WXKDD](#) [HLMP-HB74-UVBDD](#) [HLMP-HG65-VY0DD](#) [HLMP-HM74-34CDD](#) [HLMP-HM75-34CDD](#) [1L0532V23G0TD001](#) [NSPW500CS](#) [C4SMA-BGF-CQ34Q3C2](#) [L53GC13](#) [264-7SURTS530-A3](#) [L-C150JRCT](#) [S4SMS-BJF-CQ42QGF2](#) [S4SMS-GJF-CW12QMF2](#) [LD CQDP-1U3U-W5-1-K](#) [LNX998CKBDA](#) [LO566UHR3-70G-A3](#) [SLA560WBD2PT3](#) [LP379PPG1C0G0300001](#) [SLR-322MCT32](#) [SLR-342DUT32](#) [SLR-342MC3F](#) [SLR343BC7TT32](#) [SLR343BCTT32](#) [SLX-LX3044GD](#) [SLX-LX3044ID](#) [SLX-LX3044YD](#) [SNW-LX504SRC/4](#) [1.90690.3330000](#) [SSL-LX20483ID](#) [SSL-LX3034YD](#) [SSL-LX5093LGT-11](#) [SSL-LX5093PGC](#) [SSL-LX5093SRC/F](#) [SSL-LX5093SYT](#) [SSL-LX5099SRSGC-CA](#) [SSL-LX509E3SIT](#) [SSL-LX509FT3ID](#)