

Specifications

- Current rating: 7A AC,DC
- Voltage rating: 250V AC,DC
- Temperature range: -25°C ~ +85°C
- Contact resistance: 10mΩ Max.
- Insulation resistance: 1000MΩ Min.
- Withstanding voltage: 1500V AC/minute
- *Contact H.R for details*

Standards



E179987

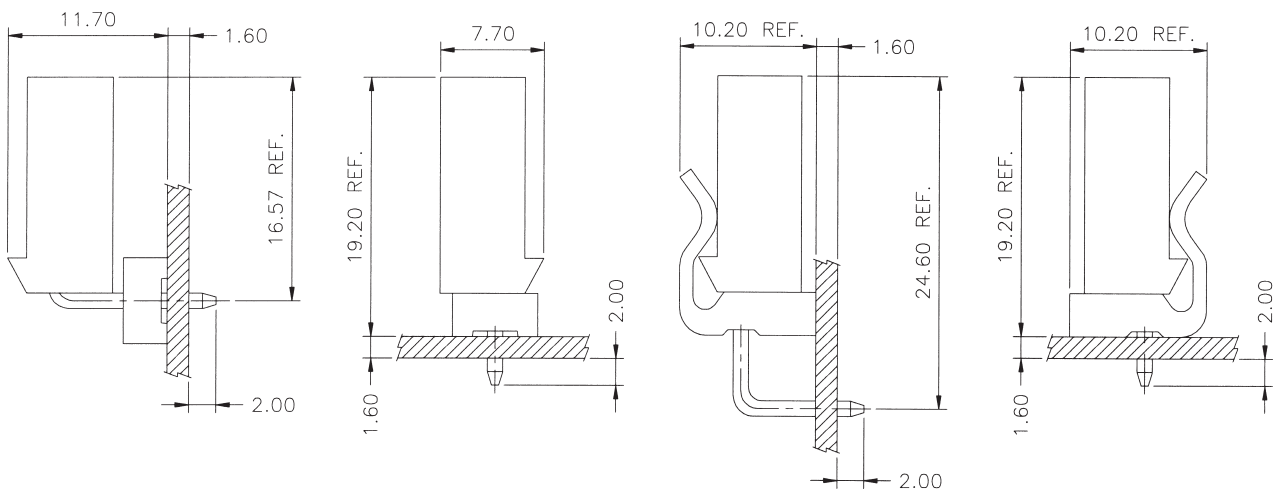


LR113464



R 3-50004394

Assembly layout





A3960 SERIES

3.96mm pitch wire to board connector

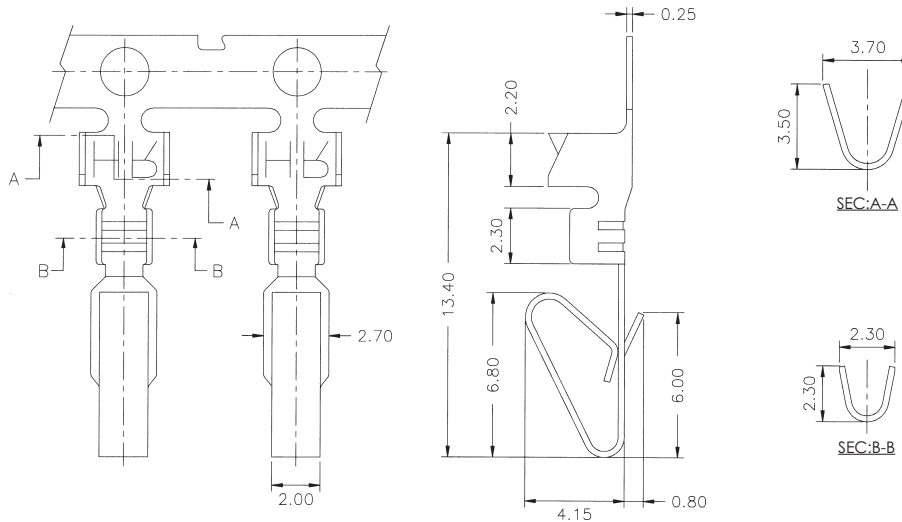


A3960-T

3.96mm pitch Crimp Terminal

Reference Informations:

*Used in H.R A3960 series Housing



Ordering Information & Specifications:

Unit:mm

Part No.	Wire Range	Insulation O.D.	Material	Finish	Qty/reel
A3960-TBe	AWG#18-#24	2.80mm(max)	Brass	Tin-plated	6,000pcs

Note:e-Stamping before Tin-plated

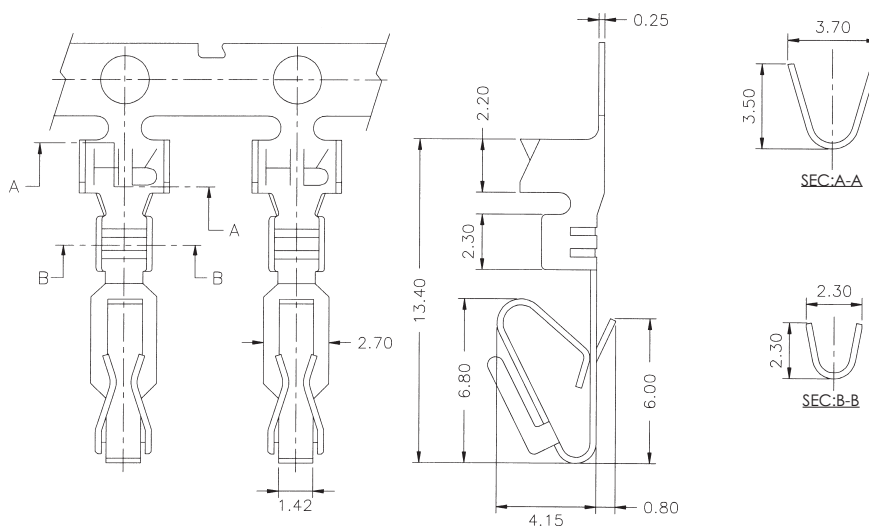


A3960-T

3.96mm pitch Crimp Terminal

Reference Informations:

*Used in H.R A3960 series Housing



Ordering Information & Specifications:

Unit:mm

Part No.	Wire Range	Insulation O.D.	Material	Finish	Qty/reel
A3960-TBe-1	AWG#18-#24	2.80mm(max)	Brass	Tin-plated	6,000pcs

Note:e-Stamping before Tin-plated

A

B

C



A3960H

3.96mm pitch Housing

Reference Informations:

- *Material: Nylon 66,UL94V-2
- *Suitable H.R A3960 series Terminal
- *Mates with H.R A3960 or A7920 series Wafer

Ordering Information:

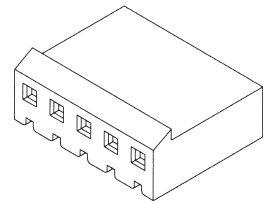
A3960H-XP - *

1. Part No.

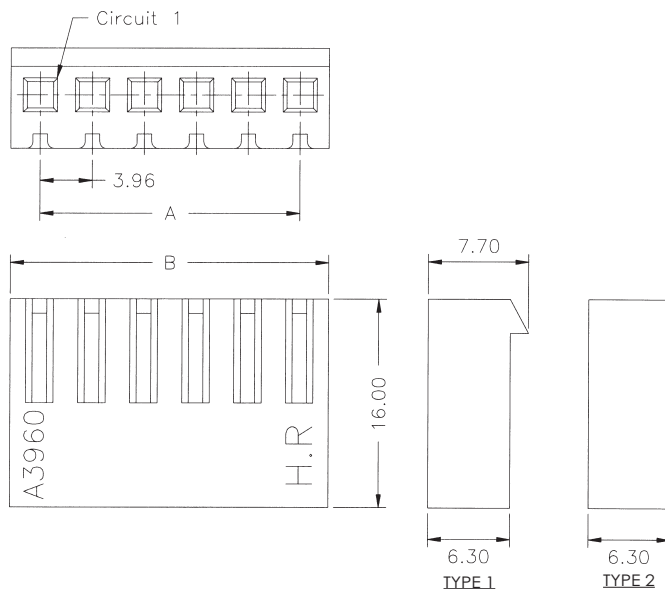
2. Style:

1-Type 1

2-Type 2



Ordering Information & Dimensions:



PART NO.	Dimensions	
	A	B
A3960H-2P	3.96	8.43
A3960H-3P	7.92	12.39
A3960H-4P	11.88	16.35
A3960H-5P	15.84	20.31
A3960H-6P	19.80	24.27
A3960H-7P	23.76	28.23
A3960H-8P	27.72	32.19
A3960H-9P	31.68	36.15
A3960H-10P	35.64	40.11
A3960H-11P	39.60	44.07
A3960H-12P	43.56	48.03
A3960H-13P	47.52	51.99
A3960H-14P	51.48	55.95
A3960H-15P	55.44	59.91
A3960H-16P	59.40	63.87
A3960H-17P	63.36	67.83
A3960H-18P	67.32	71.79
A3960H-19P	71.28	75.75
A3960H-20P	75.24	79.71

Unit:mm

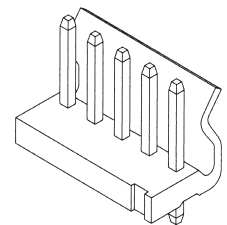


A3960WV

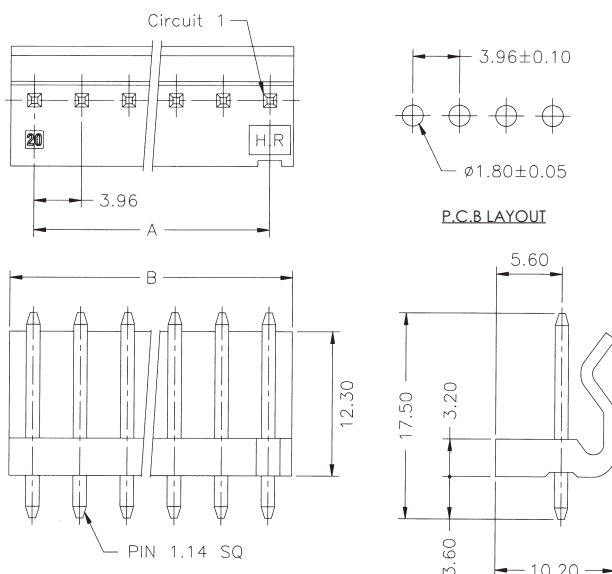
3.96mm pitch 180° Wafer

Reference Informations:

- *Material: Pin: Brass/Tin-plated
Wafer: Nylon 66,UL94V-2
- *Mates with H.R A3960 or A3962 series Housing



Ordering Information & Dimensions:



PART NO.	Dimensions	
	A	B
A3960WV-2P	3.96	7.92
A3960WV-3P	7.92	11.88
A3960WV-4P	11.88	15.84
A3960WV-5P	15.84	19.80
A3960WV-6P	19.80	23.76
A3960WV-7P	23.76	27.72
A3960WV-8P	27.72	31.68
A3960WV-9P	31.68	35.64
A3960WV-10P	35.64	39.60
A3960WV-11P	39.60	43.56
A3960WV-12P	43.56	47.52
A3960WV-13P	47.52	51.48
A3960WV-14P	51.48	55.44
A3960WV-15P	55.44	59.40
A3960WV-16P	59.40	63.36
A3960WV-17P	63.36	67.32
A3960WV-18P	67.32	71.28
A3960WV-19P	71.28	75.24
A3960WV-20P	75.24	79.20

Unit:mm





A3960 SERIES

3.96mm pitch wire to board connector



A3960WR

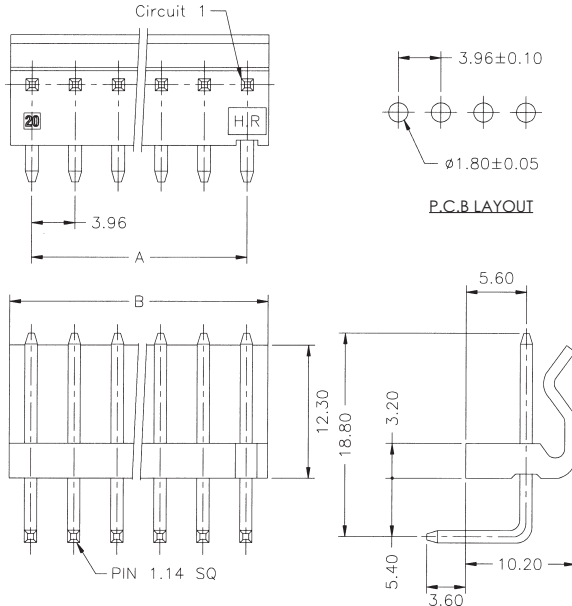
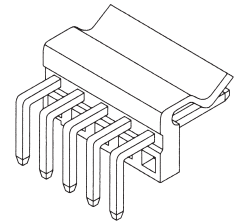
3.96mm pitch 90° Wafer

Reference Informations:

*Material: Pin: Brass/Tin-plated

Wafer: Nylon 66,UL94V-2

*Mates with H.R A3960 or A3962 series Housing



Ordering Information & Dimensions:

PART NO.	Dimensions	
	A	B
A3960WR-2P	3.96	7.92
A3960WR-3P	7.92	11.88
A3960WR-4P	11.88	15.84
A3960WR-5P	15.84	19.80
A3960WR-6P	19.80	23.76
A3960WR-7P	23.76	27.72
A3960WR-8P	27.72	31.68
A3960WR-9P	31.68	35.64
A3960WR-10P	35.64	39.60
A3960WR-11P	39.60	43.56
A3960WR-12P	43.56	47.52
A3960WR-13P	47.52	51.48
A3960WR-14P	51.48	55.44
A3960WR-15P	55.44	59.40
A3960WR-16P	59.40	63.36
A3960WR-17P	63.36	67.32
A3960WR-18P	67.32	71.28
A3960WR-19P	71.28	75.24
A3960WR-20P	75.24	79.20

Unit:mm



A3960WVA

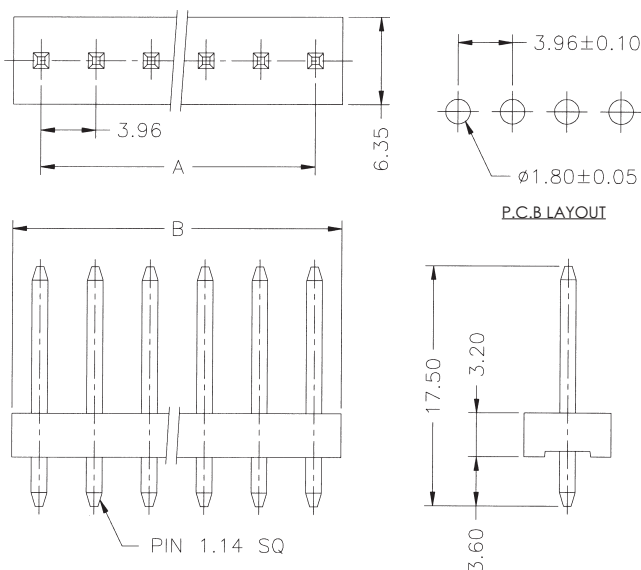
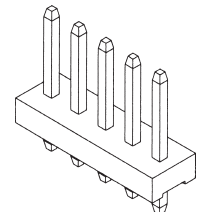
3.96mm pitch 180° Wafer

Reference Informations:

*Material: Pin: Brass/Tin-plated

Wafer: Nylon 66,UL94V-2

*Mates with H.R A3960 or A3962 series Housing



Ordering Information & Dimensions:

PART NO.	Dimensions	
	A	B
A3960WVA-2P	3.96	7.92
A3960WVA-3P	7.92	11.88
A3960WVA-4P	11.88	15.84
A3960WVA-5P	15.84	19.80
A3960WVA-6P	19.80	23.76
A3960WVA-7P	23.76	27.72
A3960WVA-8P	27.72	31.68
A3960WVA-9P	31.68	35.64
A3960WVA-10P	35.64	39.60
A3960WVA-11P	39.60	43.56
A3960WVA-12P	43.56	47.52
A3960WVA-13P	47.52	51.48
A3960WVA-14P	51.48	55.44
A3960WVA-15P	55.44	59.40
A3960WVA-16P	59.40	63.36
A3960WVA-17P	63.36	67.32
A3960WVA-18P	67.32	71.28
A3960WVA-19P	71.28	75.24
A3960WVA-20P	75.24	79.20

Unit:mm



A3960 SERIES

3.96mm pitch wire to board connector



A3960WRA

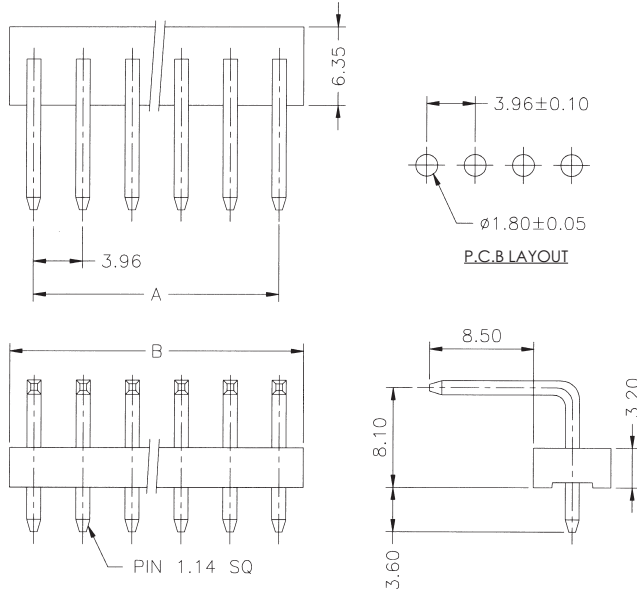
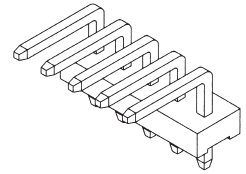
3.96mm pitch 90° Wafer

Reference Informations:

*Material: Pin: Brass/Tin-plated

Wafer: Nylon 66,UL94V-2

*Mates with H.R A3960 or A3962 series Housing



Ordering Information & Dimensions:

PART NO.	Dimensions	
	A	B
A3960WRA-2P	3.96	7.92
A3960WRA-3P	7.92	11.88
A3960WRA-4P	11.88	15.84
A3960WRA-5P	15.84	19.80
A3960WRA-6P	19.80	23.76
A3960WRA-7P	23.76	27.72
A3960WRA-8P	27.72	31.68
A3960WRA-9P	31.68	35.64
A3960WRA-10P	35.64	39.60
A3960WRA-11P	39.60	43.56
A3960WRA-12P	43.56	47.52
A3960WRA-13P	47.52	51.48
A3960WRA-14P	51.48	55.44
A3960WRA-15P	55.44	59.40
A3960WRA-16P	59.40	63.36
A3960WRA-17P	63.36	67.32
A3960WRA-18P	67.32	71.28
A3960WRA-19P	71.28	75.24
A3960WRA-20P	75.24	79.20

Unit:mm



A3960WV

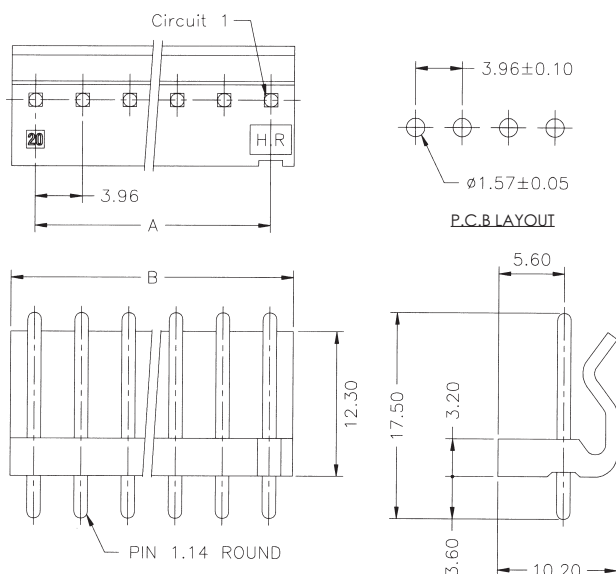
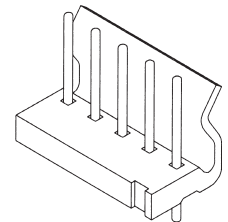
3.96mm pitch 180° Wafer, Round Pin

Reference Informations:

*Material: Pin: Brass/Tin-plated

Wafer: Nylon 66,UL94V-2

*Mates with H.R A3960 or A3962 series Housing



Ordering Information & Dimensions:

PART NO.	Dimensions	
	A	B
A3960WV-2P-R	3.96	7.92
A3960WV-3P-R	7.92	11.88
A3960WV-4P-R	11.88	15.84
A3960WV-5P-R	15.84	19.80
A3960WV-6P-R	19.80	23.76
A3960WV-7P-R	23.76	27.72
A3960WV-8P-R	27.72	31.68
A3960WV-9P-R	31.68	35.64
A3960WV-10P-R	35.64	39.60
A3960WV-11P-R	39.60	43.56
A3960WV-12P-R	43.56	47.52
A3960WV-13P-R	47.52	51.48
A3960WV-14P-R	51.48	55.44
A3960WV-15P-R	55.44	59.40
A3960WV-16P-R	59.40	63.36
A3960WV-17P-R	63.36	67.32
A3960WV-18P-R	67.32	71.28
A3960WV-19P-R	71.28	75.24
A3960WV-20P-R	75.24	79.20

Unit:mm



A3960WVA

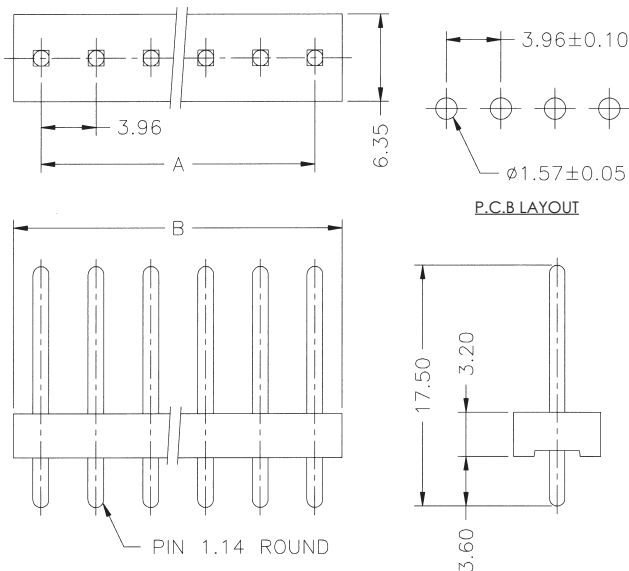
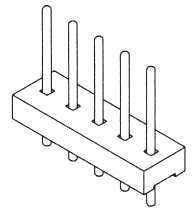
3.96mm pitch 180° Wafer, Round Pin

Reference Informations:

*Material: Pin: Brass/Tin-plated

Wafer: Nylon 66,UL94V-2

*Mates with H.R A3960 or A3962 series Housing



Ordering Information & Dimensions:

PART NO.	Dimensions	
	A	B
A3960WVA-2P-R	3.96	7.92
A3960WVA-3P-R	7.92	11.88
A3960WVA-4P-R	11.88	15.84
A3960WVA-5P-R	15.84	19.80
A3960WVA-6P-R	19.80	23.76
A3960WVA-7P-R	23.76	27.72
A3960WVA-8P-R	27.72	31.68
A3960WVA-9P-R	31.68	35.64
A3960WVA-10P-R	35.64	39.60
A3960WVA-11P-R	39.60	43.56
A3960WVA-12P-R	43.56	47.52
A3960WVA-13P-R	47.52	51.48
A3960WVA-14P-R	51.48	55.44
A3960WVA-15P-R	55.44	59.40
A3960WVA-16P-R	59.40	63.36
A3960WVA-17P-R	63.36	67.32
A3960WVA-18P-R	67.32	71.28
A3960WVA-19P-R	71.28	75.24
A3960WVA-20P-R	75.24	79.20

Unit:mm

X-ON Electronics

Largest Supplier of Electrical and Electronic Components

Click to view similar products for [I/O Connectors](#) category:

Click to view products by [Joint manufacturer](#):

Other Similar products are found below :

[571763P](#) [58098-0628](#) [61-168618-12P](#) [D38999/20FJ29SB L/C](#) [72.250.1628.2](#) [72.250.2428.2](#) [74720-0505](#) [747680210](#) [76.350.0729.0](#) [76871-1403](#) [FCN-244F080-G/1](#) [FCN-260A9920](#) [FCN-268D024-G/2F#10X-R10](#) [MP-5T180MUNNA-005](#) [MP-5XRJ45UNNB-003](#) [PCS-E50FA](#) [PCS-XE26LKA](#) [PCS-XE26MA+](#) [PCS-XES68MS+](#) [G38A71314B](#) [91-569719-35R](#) [9776-18-6](#) [DX40-50P\(55\)](#) [1571250010](#) [157-22500-3](#) [MS3471L14-19P L/C](#) [171224-6031](#) [1888020-8](#) [91-569786-35H](#) [91-569786-35M](#) [91-644626-35P](#) [172501-4002](#) [172501-6002](#) [FCN-260C008-A/L0](#) [FCN-260C024-AL0](#) [FCN-261Z008](#) [FCN-268D008-G/1K](#) [2000314-1](#) [200331-1](#) [2007498-2](#) [PCR-E28LMDAG1+](#) [PCR-E36FC+](#) [PCS-E28FS+](#) [PCS-XE26SLFD+](#) [PCS-XE26SLFDT+](#) [G38A71214B](#) [HDRA-E68W1LFDTC-SL+](#) [HDR-E14MSG1+](#) [R88A-CNK81S](#) [CRT1-ATT02](#)