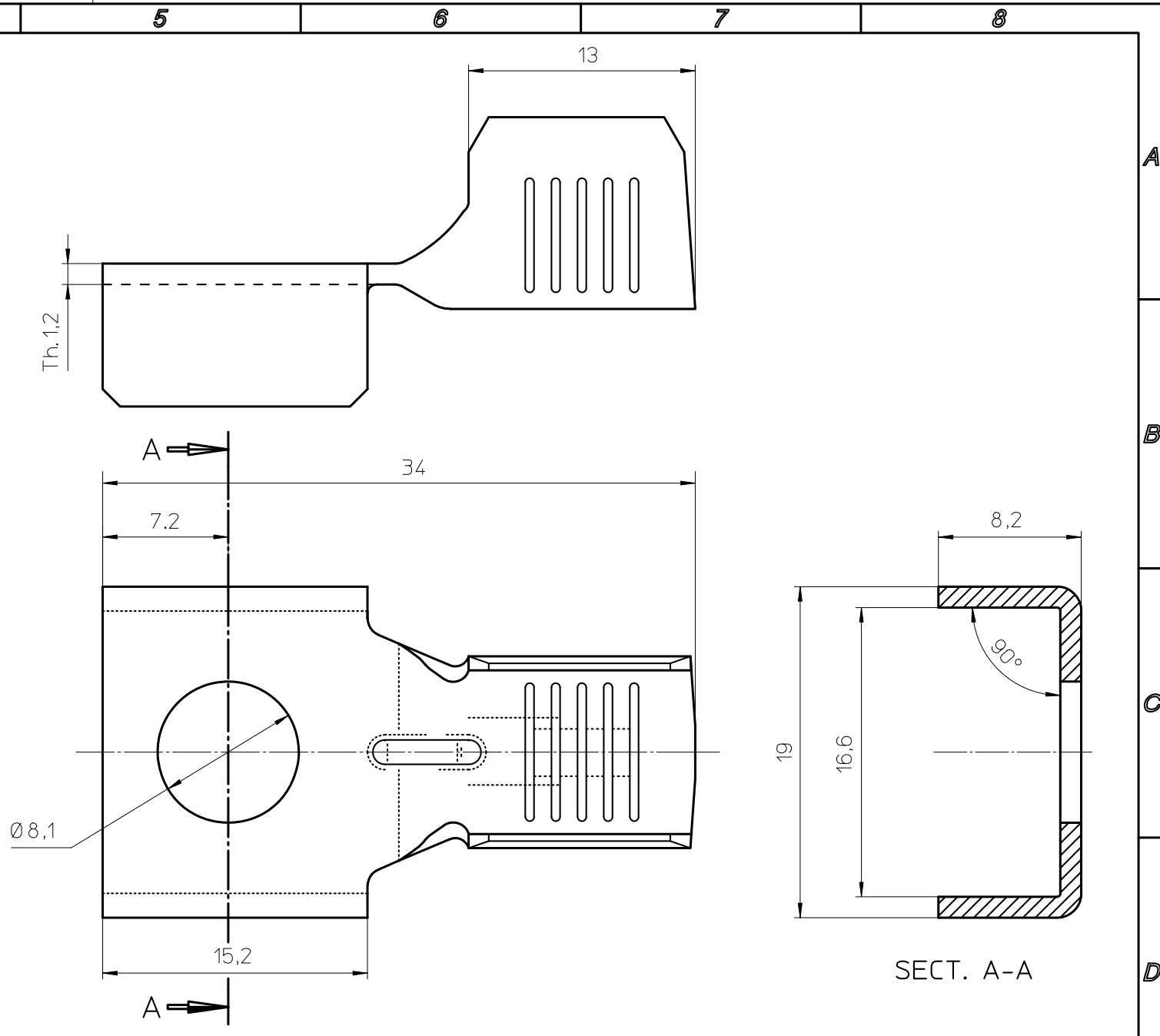
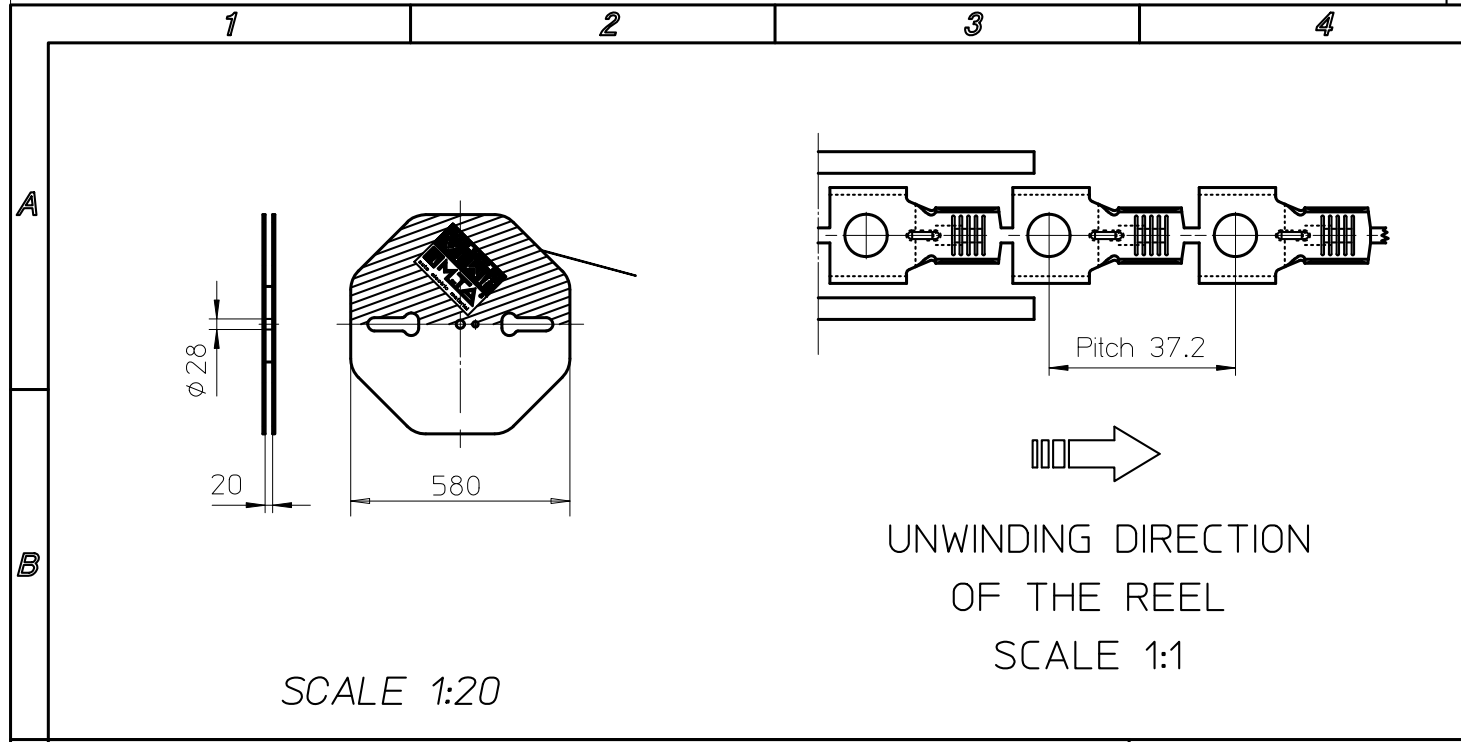
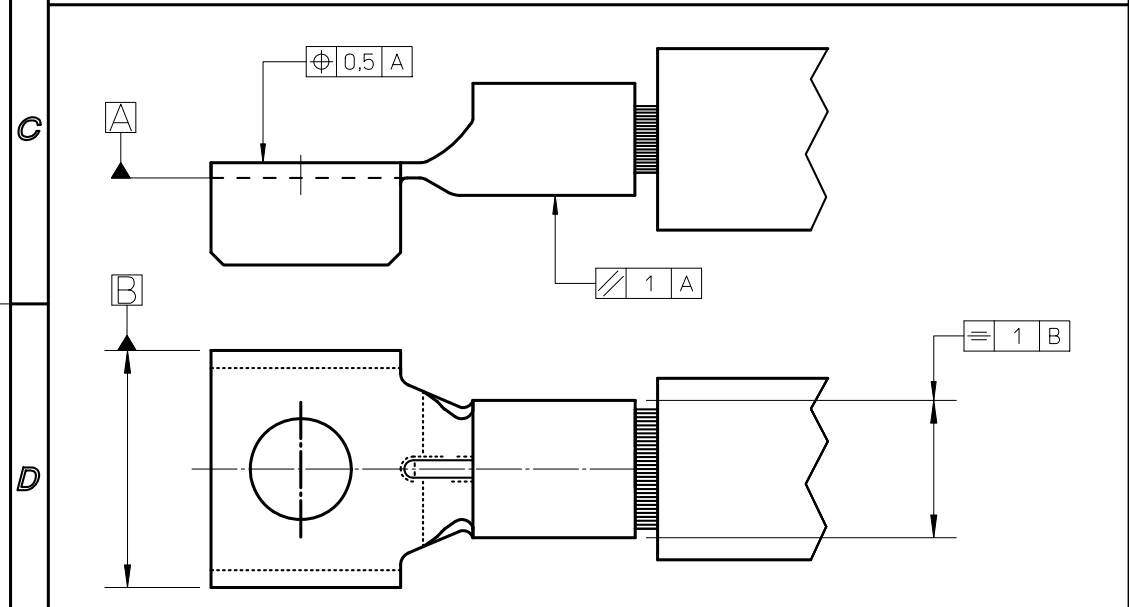


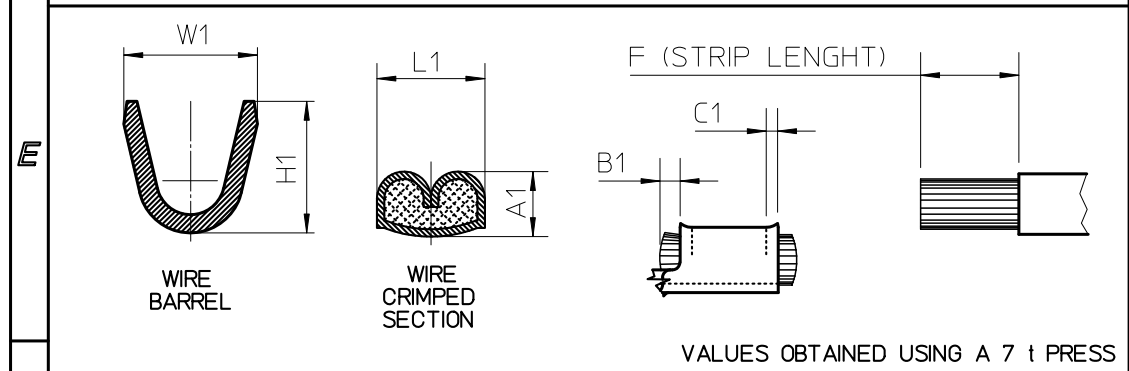
All proprietary rights reserved by MTA S.p.A. - This drawing shall not be reproduced, or in any way utilized, for the manufacture of the component or unit herein illustrated and must not be released to other parties, without written consent. Any infringement will be legally pursued.



WARNING CONTROL OF CRIMPED TERMINAL



CRIMP STATEMENTS



MTA P/N	RATED CURRENT (A)	Wire sec. (mm ²)	CONDUCTOR				TEAR OUT FORCE (N) CABLE	B1	C1	F ±0.5
			H1 ±0.4	W1 ±0.4	A1 ±0.1	L1 ±0.2				
1708110	90	10	11	11	4.70	9.6	0.5 min. 1.5 MAX	>0.3	15	> 600
		20			5.50	9.68				> 850
1708120	100	25	13.5	14	6.10	11.25	0.5 min. 1.5 MAX	>0.3	15	> 900
		35			6.80	11.22				> 1100
		35HF			6.5	11				> 1100

1108120	B0-245.031A	25-35 sqmm	LOOSE
1108110		10-20 sqmm	LOOSE
1708120		25-35 sqmm	REEL
1708110		10-20 sqmm	REEL
MTA P/N	DRAW. N°	WIRE SECTION	PACKAGE

MTA		MTA P/N 1708110	Denom. RING TERMINAL MEGA L34M8	
Rel. Level APPROVED		Draw No. B0-245.031A	Used for SECT. CABLE 10-20 sqmm	
Date 11/07/1997	Name I. MASSARI	Scale 3:1	Weight(g)	Lin.Tol.± 0.5
Chk 02/07/2013	M.PASQUANDREA	Draw for CLIENT	Ang.Tol.± 1	Relevant Standard
PQApp 02/07/13	M.ROSSI	A3	Dimensions in (mm)	Material Cu ETP
App. 02/07/13	M.PASQUANDREA			Sheet 1/1
				Thick. Width
				Color

5	CRIMP STATEMENTS UPDATED FOR 35HF (High Flex)
---	---

No.	Reason for Revision	Date	02/07/2013	Name	R.DALMA
-----	---------------------	------	------------	------	---------

X-ON Electronics

Largest Supplier of Electrical and Electronic Components

Click to view similar products for [Fuse Holder](#) category:

Click to view products by [MTA](#) manufacturer:

Other Similar products are found below :

[570-290-741P40](#) [570-290-751P40](#) [0031.1351.01](#) [020417G](#) [020418E](#) [80910030](#) [8601.2020](#) [9-3557-GP REV A](#) [15600-08-10](#) [BK1-HTC-45M](#)
[BK/FHN19G](#) [BK/HJM-HH](#) [BK/HKP-CCHH](#) [BK/HKP-E-CC](#) [BK/HKP-E-HH](#) [BK/HKP-EH-HH](#) [BK/HKP-U-HH](#) [BK/HTJ-LES-FUSE](#)
[HMG-241](#) [2086-1](#) [2193](#) [RTMF-SC](#) [2602](#) [2650](#) [FHN31G1](#) [G4PB8](#) [2660](#) [2799](#) [CQ-209V](#) [345621A](#) [3794](#) [4202](#) [4408](#) [4413](#) [4423](#) [4482](#)
[4532](#) [4537](#) [TSD1404-12](#) [BK/FHN31G1](#) [BK/HKP-H-CC](#) [BK/HKP-JQ-BB](#) [BK/HKP-JQW-BB](#) [BK/HKP-N-HH](#) [BK/HKP-S-CC](#) [BK/HKP-W-](#)
[BBHH](#) [BP/HHS](#) [BPHHU](#) [55900008011](#) [C1933](#)