

PRODUCT NUMBER

XXXXX-YYY HT LF

LEAD FREE OPTION  
(SEE NOTES 1)

PACKAGING OPTIONS  
(SEE NOTE 1)

HIGH TEMPERATURE PLASTIC  
(SEE NOTE 1)

NO OF  
POSITIONS  
(SEE NOTE 1)

PIN PLATING  
(SEE SHEET 2)

BASE PART NO.

68000-X XX-XXX XXX LF

TAIL LENGTH (EXAMPLE BELOW)  
3.0mm=030 12.8mm=128 (SEE NOTE 15 & 16)

MATING LENGTH (EXAMPLE BELOW)  
5.0mm=050 25.5mm=255 (SEE NOTE 15 & 16)

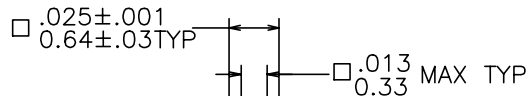
TOTAL NUMBER OF POSITION  
FROM 1 THRU 36 POS. (SEE NOTE 1)

PIN PLATING (SEE NOTE 13)  
1=0.76µm Au  
4= PURE TIN  
8=0.36µm Au

BASE PART NO.

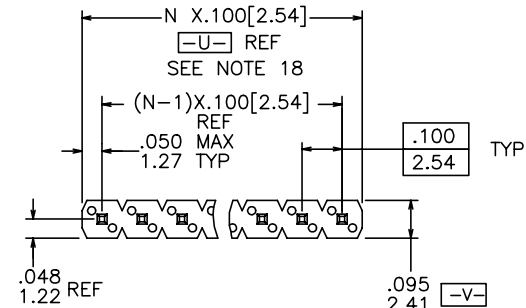
⊕ ⌀.020/.51 (M) U (M) V (S)

NOTE 4

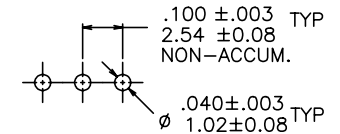


DETAIL P  
TYP BOTH ENDS

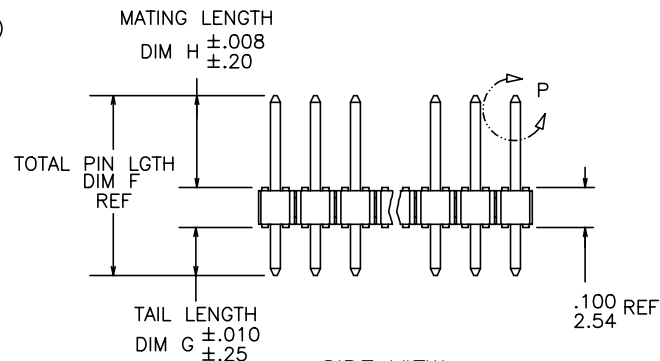
25°±5° TYP  
4 SIDES



TOP VIEW

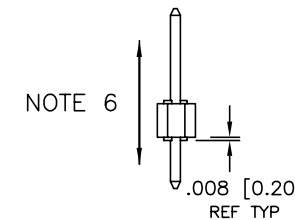


RECOMMENDED HOLE PATTERN



SIDE VIEW

NOTE 6



END VIEW



Copyright FCI.

www.fciconnect.com			surface 6.4 ISO 1302	tolerance std ISO 406 ISO 1101	projection ISO 1101	INCH/MM
Dr	T.BREWBAKER	01/05/95	ANGULAR	LINEAR	size A4	Scale 1.000
Eng	T.HANNA	01/05/95				
DA	ELX-N-16105	ZK 2013-10-22	0°	±2°	0.XX ±0.15	ECN
DB	ELX-N-17329	ZK 2014-03-27	0.XXX ±0.05	Product family BERGSTIK		Spec ref
Appr	T.HANNA	01/05/95	Product family BERGSTIK		Spec ref	
CV	M09-0090	MHT 6/19/09	title BERGSTIK® II HEADER		dwg no 68000	Rev. DB
CW	M09-0105	MHT 7/10/09	title .100/2.54cc SR STRAIGHT		dwg no	
CX	N11-0118	J.Z 2011-04-11	catalog no		CUSTOMER	sheet 1 of 8

PIN PLATING CODES:	
XXXX-1YY	30u"/0.76u MIN (SEE NOTE 13) OVER 50u"/1.27u MIN Ni
XXXX-2YY	15u"/0.38u MIN (SEE NOTE 13) OVER 50u"/1.27u MIN Ni
XXXX-3YY	50u"/1.27u MIN (SEE NOTE 13) OVER 50u"/1.27u MIN Ni
XXXX-4YY	100u"/2.54u MIN Sn OVER 50u"/1.27u MIN Ni (SEE NOTE 14)
XXXX-4YYHLF	
XXXX-5YY	15u"/0.38u MIN (SEE NOTE 13) OVER 50u"/1.27u MIN Ni
XXXX-6YY	30u"/0.76u MIN (SEE NOTE 13) OVER 50u"/1.27u MIN Ni
XXXX-7YY	30u"/0.76u MIN (SEE NOTE 13) OVER 50u"/1.27u MIN Ni
XXXX-8YY	15u"/0.38u MIN (SEE NOTE 13) OVER 50u"/1.27u MIN Ni
XXXX-9YY	15u"/0.38u MIN (SEE NOTE 13) OVER 50u"/1.27u MIN Ni
XXXX-0YY	30u"/0.76u MIN (SEE NOTE 13) OVER 50u"/1.27u MIN Ni

NOTES

1. PART NUMBER OPTIONS:

PIN PLATING CODES (SEE ABOVE)

HIGH TEMP. MATERIAL:

PART NUMBERS WITH AND WITHOUT "H" WILL BE SUPPLIED WITH HIGH TEMPERATURE PLASTIC

NUMBER OF POSITIONS :

ANY NUMBER OF POSITIONS FROM 1 THRU 36. -X00H INDICATES BERGSTRIIP PRODUCT. SEE PAGE 3 FOR SPECIAL GEOMETRY OF THIS CONTINUOUS STRIP PRODUCT. AUTOMATED REELS WILL CONTAIN 36,000 PINS. SEE SPECIFIC PART NUMBERS FOR AVAILABILITY.

PACKAGING :

NO INDICATOR IS STANDARD PACKAGING IN POLY BAGS.

EIGHT DIGIT PART NUMBERS FOLLOWED BY A "T" ARE PACKAGED IN TUBES. SEE SPECIFIC PART NUMBERS FOR AVAILABILITY.

EIGHT DIGIT PART NUMBERS FOLLOWED BY A "C" ARE PACKAGED IN TUBES WITH PICKUP CAP APPLIED. (NOT TOOLED)

BERGSTRIIP™ PART NUMBERS FOLLOWED BY A "B" ARE BULK PRICED.

EIGHT DIGIT PART NUMBERS FOLLOWED BY A "A" ARE PACKAGED IN TAPE AND REEL WITH PICKUP CAP APPLIED.

LEAD FREE :

ADD "HLF" SUFFIX AT THE END OF PART NUMBER FOR LEAD FREE

2. BODY MATERIAL :

BERGSTIK: MANUFACTURER'S OPTION OF NYLON, PCT GLASS FIBER REINFORCED, OR LCP MINERAL FILLED FLAME RETARDENT PER UL-94V-0. COLOR : BLACK

BERGSTRIIP™: PRODUCED WITH HIGH TEMPERATURE LCP THERMOPLASTIC, FLAME RETARDENT PER UL-94V-0. COLOR : BLACK

PART NUMBERS WITH AND WITHOUT "H" SUFFIX WILL WITHSTAND EXPOSURE TO 260°C PEAK TEMPERATURE FOR 20 SECONDS IN WAVE SOLDER, INFRA-RED OR VAPOR PHASE SOLDER PROCESS.

- 3. PIN MATERIAL : PHOS-BRONZE.
- 4. MEASURED WITH PART IN RESTRAINED CONDITION.
- 5. TWO SIDES OF PIN TIPS NOT PLATED. TYPICAL BOTH ENDS.
- 6. 2LBS/0.9KG MIN PIN RETENTION IN EITHER DIRECTION.
- 7. PIN CANNOT PROTRUDE PAST EDGE OF HOUSING. MUST BE .005±.005/.13±.13 FROM END OF HOUSING HOLE.
- 8. MILITARY BERGSTIK HEADER P/N XXXXX-YYY-MIL. NOT AVAILABLE.
- 9. ±.010/0.25 TOL APPLIES TO ALL "G" TAILS EXCEPT INDICATED PARTS ON TABLE WHERE +.010/0.25 -.000/0.00 APPLIES.
- 10. INDICATED PART NUMBERS ARE PRODUCED AND SOLD IN THE TAIWAN/SINGAPORE AREAS. THESE ARE NOT AVAILABLE IN BERGSTRIIP™ CONTINUOUS STRIP.
- 11. NOTCH CONFIGURATION WILL VARY PER VENDOR'S DISCRETION.
- 12. THESE PRODUCTS MEETS EUROPEAN UNION DIRECTIVES AND OTHER COUNTRY REGULATION AS DESCRIBED IN GS-22-008.
- 13. PLATING OPTIONS: PERFORMANCE PLATING WILL BE EITHER GOLD OR GXT ON POST OR TAIL, OPTIONALLY (78~295u"/2~7.5u) TIN ON TAIL.
- 14. "THIS PRODUCT HAS 100% TIN PLATING IN THE INTERFACE AND HAS NOT BEEN TESTED FOR WHISKER GROWTH IN ALL INTERCONNECT ENVIRONMENTS."
- 15. THE OAL DON'T EXCEED 34.5mm
- 16. INCREMENTS BY 0.1mm IN LENGTHS ONLY
- 17. FOR SPECIAL PACKAGING REQUEST PLEASE CONTACT PRODUCT MANAGER FOR AVAILABILITY
- 18. TO DETERMINE DIMENSIONS: N=NUMBER OF POSITION PER ROW EXAMPLE: 10 POS. N X .100/2.54



Copyright FCI.

www.fciconnect.com			surface <input checked="" type="checkbox"/> ISO 1302	tolerance std <input checked="" type="checkbox"/> ISO 406 ISO 1101	projection	INCH/MM	
			TOLERANCES UNLESS OTHERWISE SPECIFIED			← →	
Dr	T.BREWBAKER	01/05/95	ANGULAR	LINEAR	0.X	±0.3	size A4
Eng	T.HANNA	01/05/95			0.XX	±0.15	Scale 1.000
Chr	J.MURPHY	01/05/95	0°	±2°	0.XXX	±0.05	ECN
Appr	T.HANNA	01/05/95	Product family BERGSTIK		Spec ref		
			title BERGSTIK® II HEADER .100/2.54cc SR STRAIGHT		dwg no 68000		Rev. DB
			catalog no		CUSTOMER		sheet 2 of 8

1

2

3

4

### BERGSTRIK™ HEADER

### REEL PACKING DIMENSIONS

A

B

C

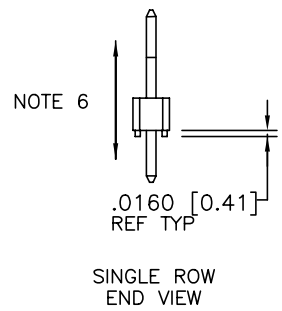
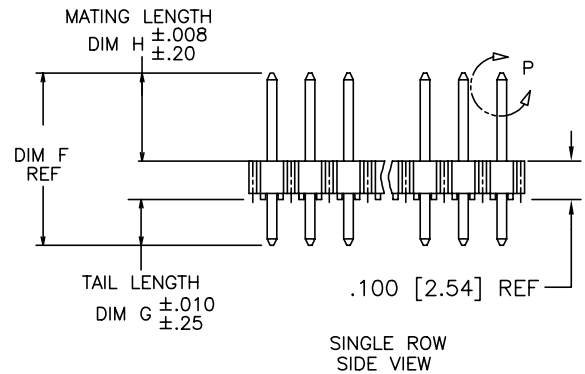
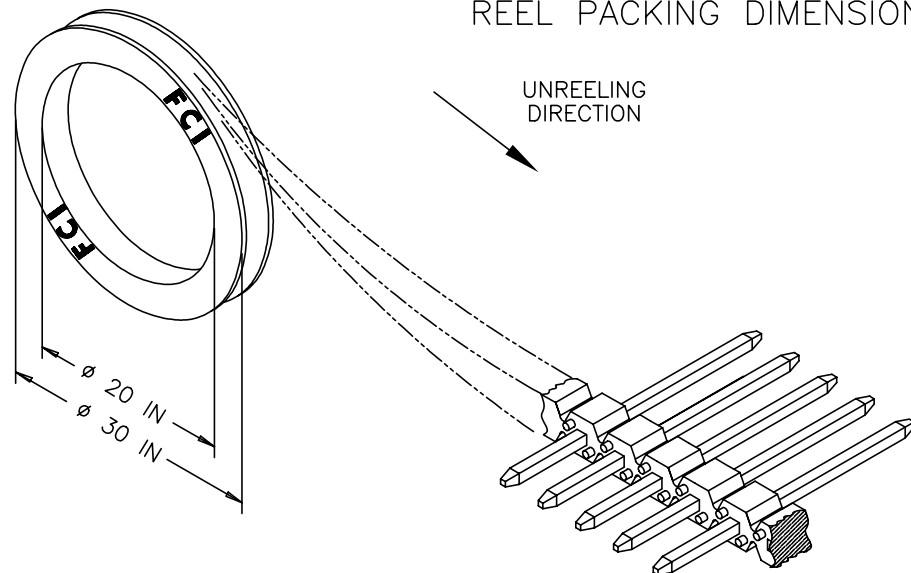
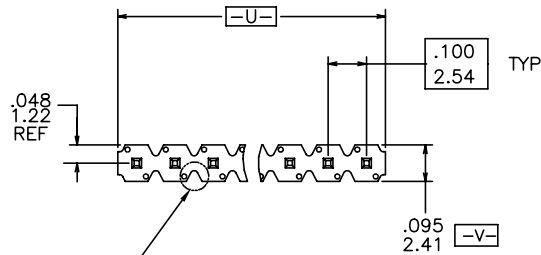
D

A

B

C

D



Copyright FCI.

www.fciconnect.com			surface ISO 1302 ✓	tolerance std ISO 406 ISO 1101	projection A4	INCH/MM			
TOLERANCES UNLESS OTHERWISE SPECIFIED			TOLERANCES UNLESS OTHERWISE SPECIFIED		←→				
Dr	T.BREWBAKER	01/05/95	ANGULAR	LINEAR	0.X	±0.3	size A4	Scale 1.000	
Eng	T.HANNA	01/05/95			0.XX	±0.15			
Chr	J.MURPHY	01/05/95	0°	±2°	0.XXX	±0.05	ECN		
Appr	T.HANNA	01/05/95	Product family		BERGSTIK	Spec ref			
FCI			title		BERGSTIK® II HEADER .100/2.54cc SR STRAIGHT		dwg no	68000	Rev. DB
			catalog no		CUSTOMER		sheet 3 of 8		

REV F - 2006-04-17

1

2

3

4

PDS: Rev :DB

STATUS:Released

Printed: Apr 01, 2014

1

2

3

4

PRODUCT NUMBER	TOTAL PIN LGTH		TAIL LENGTH		MATING LENGTH		PACKAGING	NOTES	BERGSTRIK™ AVAILABLE	LF OPTION
	DIM F	DIM F	DIM G	DIM G	DIM H	DIM H				
	ENGLISH	METRIC	ENGLISH	METRIC	ENGLISH	METRIC				
<del>55492-XYH</del>	<del>0.315</del>	<del>8.00</del>	<del>0.095</del>	<del>2.41</del>	<del>0.120</del>	<del>3.05</del>	<del>POLY BAGS</del>	<del>-</del>	<del>NO</del>	OB
<del>60017-XYH</del>	<del>0.620</del>	<del>15.75</del>	<del>0.210</del>	<del>5.33</del>	<del>0.310</del>	<del>7.87</del>	<del>POLY BAGS</del>	<del>-</del>	<del>NO</del>	OB
<del>60018-XYH</del>	<del>0.660</del>	<del>16.76</del>	<del>0.250</del>	<del>6.35</del>	<del>0.310</del>	<del>7.87</del>	<del>POLY BAGS</del>	<del>-</del>	<del>NO</del>	OB
<del>63334-XYH</del>	<del>0.435</del>	<del>11.05</del>	<del>0.095</del>	<del>2.41</del>	<del>0.240</del>	<del>6.10</del>	<del>POLY BAGS</del>	<del>-</del>	<del>NO</del>	OB
68000-XY	0.425	10.80	0.095	2.41	0.230	5.84	POLY BAGS	-	YES	NOTE 1,12
68001-YYY	0.450	11.43	0.120	3.05	0.230	5.84	POLY BAGS/TUBES	-	YES	
68002-YYY	0.480	12.19	0.150	3.81	0.230	5.84	POLY BAGS	-	YES	
<del>68003-XXX</del>	<del>0.525</del>	<del>13.34</del>	<del>0.195</del>	<del>4.95</del>	<del>0.230</del>	<del>5.84</del>	<del>POLY BAGS</del>	<del>-</del>	<del>NO</del>	OB
68004-XY	0.525	13.34	0.107	2.72	0.318	8.08	POLY BAGS	-	YES	
68024-XY	0.568	14.43	0.150	3.81	0.318	8.08	POLY BAGS	-	YES	
68031-XY	0.513	13.03	0.183	4.65	0.230	5.84	POLY BAGS	-	NO	
<del>68032-XXX</del>	<del>0.543</del>	<del>13.79</del>	<del>0.213</del>	<del>5.41</del>	<del>0.230</del>	<del>5.84</del>	<del>POLY BAGS</del>	<del>-</del>	<del>NO</del>	OB
68033-XY	0.708	17.98	0.473	12.01	0.135	3.43	POLY BAGS	-	NO	
68415-XY	0.615	15.62	0.115	2.92	0.400	10.16	POLY BAGS	-	NO	
68416-XY	0.813	20.65	0.483	12.27	0.230	5.84	POLY BAGS	-	NO	
68418-XY	0.730	18.54	0.400	10.16	0.230	5.84	POLY BAGS	-	NO	
68422-XY	0.631	16.03	0.213	5.41	0.318	8.08	POLY BAGS	-	NO	
<del>68443-XXX</del>	<del>0.755</del>	<del>19.18</del>	<del>0.425</del>	<del>10.80</del>	<del>0.230</del>	<del>5.84</del>	<del>POLY BAGS</del>	<del>-</del>	<del>NO</del>	OB
<del>68456-XXX</del>	<del>0.825</del>	<del>20.96</del>	<del>0.115</del>	<del>2.92</del>	<del>0.610</del>	<del>15.49</del>	<del>POLY BAGS</del>	<del>-</del>	<del>NO</del>	OB
68457-XY	0.548	13.92	0.130	3.30	0.318	8.08	POLY BAGS	-	NO	
<del>68465-XXX</del>	<del>0.925</del>	<del>23.50</del>	<del>0.595</del>	<del>15.11</del>	<del>0.230</del>	<del>5.84</del>	<del>POLY BAGS</del>	<del>-</del>	<del>NO</del>	OB
68466-XY	0.925	23.50	0.128	3.25	0.697	17.70	POLY BAGS	-	NO	
<del>68472-XXX</del>	<del>0.913</del>	<del>23.19</del>	<del>0.413</del>	<del>10.49</del>	<del>0.400</del>	<del>10.16</del>	<del>POLY BAGS</del>	<del>-</del>	<del>NO</del>	OB
<del>68479-XXX</del>	<del>0.718</del>	<del>18.24</del>	<del>0.388</del>	<del>9.86</del>	<del>0.230</del>	<del>5.84</del>	<del>POLY BAGS</del>	<del>-</del>	<del>NO</del>	OB
<del>68483-XXX</del>	<del>0.835</del>	<del>21.21</del>	<del>0.417</del>	<del>10.59</del>	<del>0.318</del>	<del>8.08</del>	<del>POLY BAGS</del>	<del>-</del>	<del>NO</del>	OB
<del>68487-XXX</del>	<del>0.705</del>	<del>17.91</del>	<del>0.110</del>	<del>2.79</del>	<del>0.495</del>	<del>12.57</del>	<del>POLY BAGS</del>	<del>-</del>	<del>NO</del>	OB
<del>68489-XXX</del>	<del>1.095</del>	<del>27.81</del>	<del>0.765</del>	<del>19.43</del>	<del>0.230</del>	<del>5.84</del>	<del>POLY BAGS</del>	<del>-</del>	<del>NO</del>	OB
<del>68490-XXX</del>	<del>1.025</del>	<del>26.04</del>	<del>0.695</del>	<del>17.65</del>	<del>0.230</del>	<del>5.84</del>	<del>POLY BAGS</del>	<del>-</del>	<del>NO</del>	OB
68497-XY	0.612	15.54	0.085	2.16	0.427	10.85	POLY BAGS	-	NO	
68603-XY	0.555	14.10	0.120	3.05	0.335	8.51	POLY BAGS	-	NO	
68604-XY	0.600	15.24	0.120	3.05	0.380	9.65	POLY BAGS	-	NO	NOTE 1,12



Copyright FCI.

www.fciconnect.com			surface ISO 1302 <input checked="" type="checkbox"/>	tolerance std ISO 406 ISO 1101	projection 	INCH/MM	
			TOLERANCES UNLESS OTHERWISE SPECIFIED				
Dr	T.BREWBAKER	01/05/95	ANGULAR	LINEAR	0.X	±0.3	size A4
Eng	T.HANNA	01/05/95			0.XX	±0.15	
Chr	J.MURPHY	01/05/95	0°	±2°	0.XXX	±0.05	ECN
Appr	T.HANNA	01/05/95	Product family		BERGSTIK	Spec ref	
			title		BERGSTIK® II HEADER .100/2.54cc SR STRAIGHT		dwg no 68000
			catalog no		CUSTOMER		Rev. DB
					sheet 4 of 8		

REV F - 2006-04-17

1

2

3

PDS: Rev :DB

STATUS:Released

Printed: Apr 01, 2014

1

2

3

4

PRODUCT NUMBER	TOTAL PIN LGTH		TAIL LENGTH		MATING LENGTH		PACKAGING	NOTES	BERGSTRIPTM	LF OPTION
	DIM F	DIM F	DIM G	DIM G	DIM H	DIM H			AVAILABLE	
	ENGLISH	METRIC	ENGLISH	METRIC	ENGLISH	METRIC				
68629-XY	0.621	15.77	0.203	5.16	0.318	8.08	POLY BAGS		NO	OB
68630-XY	0.603	15.32	0.273	6.93	0.230	5.84	POLY BAGS		NO	OB
68631-XY	0.703	17.86	0.203	5.16	0.400	10.16	POLY BAGS		NO	OB
68632-XY	0.743	18.87	0.413	10.49	0.230	5.84	POLY BAGS		NO	OB
68633-XY	0.643	16.33	0.225	5.72	0.318	8.08	POLY BAGS		NO	NOTE 1,12
68634-XY	1.013	25.73	0.683	17.35	0.230	5.84	POLY BAGS		NO	OB
68642-XY	0.913	23.19	0.583	14.81	0.230	5.84	POLY BAGS		NO	OB
68652-XY	1.470	37.34	0.670	17.02	0.700	17.78	POLY BAGS		NO	OB
68653-XY	0.735	18.67	0.095	2.41	0.540	13.72	POLY BAGS		NO	
68654-XY	1.050	26.67	0.670	17.02	0.280	7.11	POLY BAGS		NO	OB
68655-XY	0.708	17.98	0.290	7.37	0.318	8.08	POLY BAGS		NO	
68656-XY	1.113	28.27	0.613	15.57	0.400	10.16	POLY BAGS		NO	OB
68657-XY	0.588	14.94	0.368	9.35	0.120	3.05	POLY BAGS		NO	
68658-XY	0.820	20.83	0.130	3.30	0.590	14.99	POLY BAGS		NO	OB
68659-XY	0.608	15.44	0.398	10.11	0.110	2.79	POLY BAGS		NO	OB
68686-XY	1.016	25.81	0.458	11.63	0.458	11.63	POLY BAGS		NO	OB
68689-XY	0.913	23.19	0.213	5.41	0.600	15.24	POLY BAGS		NO	OB
68705-XY	0.395	10.03	0.095	2.41	0.200	5.08	POLY BAGS		NO	
68717-XY	0.615	15.62	0.285	7.24	0.230	5.84	POLY BAGS		NO	
68730-XY	0.555	14.10	0.225	5.72	0.230	5.84	POLY BAGS		NO	OB
68731-XY	0.880	22.35	0.440	11.18	0.340	8.64	POLY BAGS		NO	OB
68735-XY	1.016	25.81	0.520	13.21	0.396	10.06	POLY BAGS		NO	OB
68755-XY	1.166	29.62	0.533	13.54	0.533	13.54	POLY BAGS		NO	OB
68760-XY	0.803	20.40	0.353	8.97	0.350	8.89	POLY BAGS		NO	OB
68762-XY	0.588	14.94	0.213	5.41	0.275	6.99	POLY BAGS		NO	OB
68771-XY	0.470	11.94	0.100	2.54	0.270	6.86	POLY BAGS		NO	
68781-XY	0.691	17.55	0.273	6.93	0.318	8.08	POLY BAGS		NO	NOTE 1,12 OB



Copyright FCI.

www.fciconnect.com			surface ISO 1302	<input checked="" type="checkbox"/>	tolerance std ISO 406 ISO 1101	projection 	INCH/MM ←→	
			TOLERANCES UNLESS OTHERWISE SPECIFIED					
Dr	T.BREWBAKER	01/05/95	ANGULAR	LINEAR	0.X	±0.3	size A4	Scale 1.000
Eng	T.HANNA	01/05/95			0.XX	±0.15	ECN	Spec ref
Chr	J.MURPHY	01/05/95	0°	±2°	0.XXX	±0.05		
Appr	T.HANNA	01/05/95	Product family		BERGSTIK			
	title				BERGSTIK® II HEADER		dwg no 68000	Rev. DB
					.100/2.54cc SR STRAIGHT			
	catalog no				CUSTOMER		sheet 5 of 8	

REV F - 2006-04-17

1

2

3

4

PDS: Rev :DB

STATUS:Released

Printed: Apr 01, 2014

1

2

3

4

PRODUCT NUMBER	TOTAL PIN LGTH		TAIL LENGTH		MATING LENGTH		PACKAGING	NOTES	BERGSTRIPTM AVAILABLE	LF OPTION
	DIM F	DIM F	DIM G	DIM G	DIM H	DIM H				
	ENGLISH	METRIC	ENGLISH	METRIC	ENGLISH	METRIC				
<del>68795</del> -XYY	<del>0.500</del>	<del>12.70</del>	<del>0.062</del>	<del>1.57</del>	<del>0.338</del>	<del>8.59</del>	<del>POLY BAGS</del>	<del>---</del>	<del>NO</del>	OB
<del>68796</del> -XYY	<del>0.633</del>	<del>16.08</del>	<del>0.423</del>	<del>10.74</del>	<del>0.110</del>	<del>2.79</del>	<del>POLY BAGS</del>	<del>---</del>	<del>NO</del>	OB
68797-XYY	0.413	10.49	0.213	5.41	0.100	2.54	POLY BAGS	-	NO	NOTE 1,12
<del>69148</del> -XYY	<del>0.442</del>	<del>11.43</del>	<del>0.000</del>	<del>0.00</del>	<del>0.350</del>	<del>8.89</del>	<del>POLY BAGS</del>	<del>---</del>	<del>NO</del>	OB
<del>69152</del> -XYY	<del>0.720</del>	<del>18.29</del>	<del>0.120</del>	<del>3.05</del>	<del>0.500</del>	<del>12.70</del>	<del>POLY BAGS/TUBES</del>	<del>---</del>	<del>NO</del>	OB
69173-XYY	0.530	13.46	0.135	3.43	0.295	7.49	POLY BAGS	-	NO	
69188-XYY	0.751	19.08	0.333	8.46	0.318	8.08	POLY BAGS	-	NO	
<del>69751</del> -XYY	<del>0.440</del>	<del>11.18</del>	<del>0.170</del>	<del>4.32</del>	<del>0.170</del>	<del>4.32</del>	<del>POLY BAGS</del>	<del>NOTE 10</del>	<del>NO</del>	OB
<del>71417</del> -XYY	<del>0.664</del>	<del>16.87</del>	<del>0.115</del>	<del>2.92</del>	<del>0.449</del>	<del>11.40</del>	<del>POLY BAGS</del>	<del>NOTE 10</del>	<del>NO</del>	OB
<del>72260</del> -XYYH	<del>0.930</del>	<del>23.62</del>	<del>0.090</del>	<del>2.29</del>	<del>0.740</del>	<del>18.80</del>	<del>POLY BAGS</del>	<del>---</del>	<del>NO</del>	OB
<del>72323</del> -XYYH	<del>1.200</del>	<del>30.48</del>	<del>0.100</del>	<del>2.54</del>	<del>1.000</del>	<del>25.40</del>	<del>POLY BAGS</del>	<del>---</del>	<del>NO</del>	OB
<del>72457</del> -XYYH	<del>1.100</del>	<del>27.94</del>	<del>0.090</del>	<del>2.29</del>	<del>0.910</del>	<del>23.11</del>	<del>POLY BAGS</del>	<del>---</del>	<del>NO</del>	OB
73698-XYYH	1.100	27.94	0.120	3.05	0.880	22.35	POLY BAGS	-	NO	
<del>74464</del> -XYYH	<del>1.028</del>	<del>26.11</del>	<del>0.610</del>	<del>15.49</del>	<del>0.318</del>	<del>8.08</del>	<del>POLY BAGS</del>	<del>---</del>	<del>NO</del>	OB
<del>78240</del> -XYY	<del>0.663</del>	<del>16.84</del>	<del>0.333</del>	<del>8.46</del>	<del>0.230</del>	<del>5.84</del>	<del>POLY BAGS</del>	<del>---</del>	<del>NO</del>	OB
<del>78287</del> -XYY	<del>0.678</del>	<del>17.22</del>	<del>0.120</del>	<del>3.05</del>	<del>0.458</del>	<del>11.63</del>	<del>POLY BAGS</del>	<del>---</del>	<del>NO</del>	OB
78290-XYY	1.250	31.75	0.500	12.70	0.650	16.51	POLY BAGS	-	NO	
78511-XYY	0.538	13.67	0.120	3.05	0.318	8.08	POLY BAGS/TUBES	-	YES	
78595-XYY			NOT AVAILABLE					-	-	
78931-XYY			NOT AVAILABLE					-	-	
78958-XYY			NOT AVAILABLE					-	-	
78959-XYY			NOT AVAILABLE					-	-	
78977-XYY			NOT AVAILABLE					-	-	
78998-XYY	0.430	10.92	0.155	3.94	0.175	4.45	POLY BAGS	-	NO	
78999-XYY			NOT AVAILABLE					-	-	NOTE 1,12
<del>79428</del> -XYY	<del>0.695</del>	<del>17.65</del>	<del>0.120</del>	<del>3.05</del>	<del>0.475</del>	<del>12.07</del>	<del>POLY BAGS</del>	<del>---</del>	<del>NO</del>	OB
<del>79849</del> -XYY	<del>0.620</del>	<del>15.75</del>	<del>0.120</del>	<del>3.05</del>	<del>0.400</del>	<del>10.16</del>	<del>POLY BAGS</del>	<del>---</del>	<del>NO</del>	OB



Copyright FCI.

www.fciconnect.com			surface ISO 1302 <input checked="" type="checkbox"/>	tolerance std ISO 406 ISO 1101	projection	INCH/MM
			TOLERANCES UNLESS OTHERWISE SPECIFIED			←→
Dr	T.BREWBAKER	01/05/95	ANGULAR	LINEAR	0.X	±0.3
Eng	T.HANNA	01/05/95			size	A4
Chr	J.MURPHY	01/05/95	0°	±2°	0.XXX	±0.05
Appr	T.HANNA	01/05/95	Product family		BERGSTIK	Spec ref
			title		BERGSTIK® II HEADER	
			catalog no		.100/2.54cc SR STRAIGHT	
			dwg no		68000	
			Rev.		DB	
			CUSTOMER		sheet 6 of 8	

REV F - 2006-04-17

1

2

3

4

PDS: Rev :DB

STATUS:Released

Printed: Apr 01, 2014

1

2

3

4

PRODUCT NUMBER	TOTAL PIN LGTH		TAIL LENGTH		MATING LENGTH		PACKAGING	NOTES	BERGSTRIPTM	LF OPTION
	DIM F	DIM F	DIM G	DIM G	DIM H	DIM H			AVAILABLE	
	ENGLISH	METRIC	ENGLISH	METRIC	ENGLISH	METRIC				
<del>84918-XYH</del>	<del>0.340</del>	<del>8.64</del>	<del>0.120</del>	<del>3.05</del>	<del>0.120</del>	<del>3.05</del>	<del>POLY BAGS</del>	<del>--</del>	<del>YES</del>	OB
<del>84921-XYH</del>	<del>0.370</del>	<del>9.40</del>	<del>0.150</del>	<del>3.81</del>	<del>0.120</del>	<del>3.05</del>	<del>POLY BAGS</del>	<del>--</del>	<del>YES</del>	OB
<del>86506-XY</del>	<del>0.440</del>	<del>11.18</del>	<del>0.120</del>	<del>3.05</del>	<del>0.220</del>	<del>5.59</del>	<del>POLY BAGS</del>	<del>--</del>	<del>YES</del>	OB
<del>86579-XY</del>	<del>0.450</del>	<del>11.43</del>	<del>0.120</del>	<del>3.05</del>	<del>0.230</del>	<del>5.84</del>	<del>POLY BAGS</del>	<del>NOTE 9</del>	<del>NO</del>	OB
86634-XY		NOT	AVAILABLE					--	--	NOTE 1,12
86635-XY		NOT	AVAILABLE					--	--	
86636-XY		NOT	AVAILABLE					--	--	
86637-XY		NOT	AVAILABLE					--	--	
86638-XY		NOT	AVAILABLE					--	--	
<del>86793-XY</del>	<del>0.900</del>	<del>22.86</del>	<del>0.100</del>	<del>2.54</del>	<del>0.700</del>	<del>17.78</del>	<del>POLY BAGS</del>	<del>NOTE 10</del>	<del>NO</del>	OB
<del>86899-XY</del>	<del>1.020</del>	<del>25.91</del>	<del>0.120</del>	<del>3.05</del>	<del>0.800</del>	<del>20.32</del>	<del>POLY BAGS</del>	<del>--</del>	<del>NO</del>	OB
<del>87185-XY</del>	<del>1.238</del>	<del>31.45</del>	<del>0.095</del>	<del>2.41</del>	<del>1.043</del>	<del>26.49</del>	<del>POLY BAGS</del>	<del>NOTE 10</del>	<del>NO</del>	
<del>87204-XY</del>	<del>0.895</del>	<del>22.73</del>	<del>0.120</del>	<del>3.05</del>	<del>0.675</del>	<del>17.15</del>	<del>POLY BAGS</del>	<del>--</del>	<del>NO</del>	OB
<del>87241-XY</del>	<del>1.000</del>	<del>25.40</del>	<del>0.120</del>	<del>3.05</del>	<del>0.780</del>	<del>19.81</del>	<del>POLY BAGS</del>	<del>--</del>	<del>NO</del>	OB
<del>87502-XYH</del>	<del>1.130</del>	<del>28.70</del>	<del>0.110</del>	<del>2.79</del>	<del>0.920</del>	<del>23.37</del>	<del>POLY BAGS</del>	<del>--</del>	<del>NO</del>	OB
87827-XY	0.380	9.65	0.120	3.05	0.160	4.06	POLY BAGS	--	NO	
87916-XY	1.058	26.87	0.128	3.25	0.830	21.08	POLY BAGS	--	NO	NOTE 1,12
88005-XY	0.536	13.61	0.095	2.41	0.341	8.66	POLY BAGS	NOTE 10	NO	OB
88706-XY	0.900	22.86	0.100	2.54	0.700	17.78	POLY BAGS	--	NO	OB
89232-XY	0.325	8.26	0.000	0.00	0.230	5.84	POLY BAGS	NOTE 7	NO	OB



Copyright FCI.

www.fciconnect.com			surface ISO 1302 <input checked="" type="checkbox"/>	tolerance std ISO 406 ISO 1101	projection 	INCH/MM			
			TOLERANCES UNLESS OTHERWISE SPECIFIED						
Dr	T.BREWBAKER	01/05/95	ANGULAR	LINEAR	0.X	±0.3	size A4	Scale 1.000	
Eng	T.HANNA	01/05/95			0.XX	±0.15			
Chr	J.MURPHY	01/05/95	0°	±2°	0.XXX	±0.05	ECN		
Appr	T.HANNA	01/05/95	Product family		BERGSTIK		Spec ref		
			title			BERGSTIK® II HEADER		dwg no 68000	Rev. DB
			.100/2.54cc SR STRAIGHT			CUSTOMER			
			catalog no						

REV F - 2006-04-17

1

2

3

4

PDS: Rev :DB

STATUS:Released

Printed: Apr 01, 2014

1

2

3

4

PRODUCT NUMBER	TOTAL PIN LGTH		TAIL LENGTH		MATING LENGTH		PACKAGING	NOTES	BERGSTRIPTM	LF OPTION
	DIM F	DIM F	DIM G	DIM G	DIM H	DIM H			AVAILABLE	
	ENGLISH	METRIC	ENGLISH	METRIC	ENGLISH	METRIC				
<del>90522-XY</del>	<del>0.668</del>	<del>16.97</del>	<del>0.135</del>	<del>3.43</del>	<del>0.433</del>	<del>11.00</del>	<del>POLY BAGS</del>	<del>NOTE 10</del>	<del>NO</del>	OB
<del>90547-XY</del>	<del>0.508</del>	<del>12.90</del>	<del>0.095</del>	<del>2.41</del>	<del>0.313</del>	<del>7.95</del>	<del>POLY BAGS</del>	<del>NOTE 10</del>	<del>NO</del>	OB
90719-XY	0.384	9.75	0.106	2.69	0.178	4.52	POLY BAGS	-	NO	
<del>90726-XY</del>	<del>0.440</del>	<del>11.18</del>	<del>0.110</del>	<del>2.79</del>	<del>0.230</del>	<del>5.84</del>	<del>POLY BAGS</del>	<del>-</del>	<del>YES</del>	OB
91276-XY	1.225	31.12	0.225	5.72	0.900	22.86	POLY BAGS	-	NO	NOTE 1,12
<del>92020-XY</del>	<del>0.372</del>	<del>9.45</del>	<del>0.094</del>	<del>2.39</del>	<del>0.178</del>	<del>4.52</del>	<del>POLY BAGS</del>	<del>-</del>	<del>NO</del>	OB
<del>92418-XY</del>	<del>0.572</del>	<del>14.53</del>	<del>0.118</del>	<del>3.00</del>	<del>0.354</del>	<del>8.99</del>	<del>POLY BAGS</del>	<del>-</del>	<del>NO</del>	OB
<del>93167-XY</del>	<del>0.394</del>	<del>10.01</del>	<del>0.059</del>	<del>1.50</del>	<del>0.235</del>	<del>5.97</del>	<del>POLY BAGS</del>	<del>-</del>	<del>NO</del>	OB
93287-XYH	0.585	14.86	0.085	2.16	0.400	10.16	POLY BAGS	-	NO	
93944-XY	0.941	23.90	0.130	3.30	0.711	18.06	POLY BAGS	-	NO	
93992-XYH	0.415	10.54	0.085	2.16	0.230	5.84	POLY BAGS	-	NO	
94063-XY	0.376	9.55	0.138	3.51	0.138	3.51	POLY BAGS	NOTE 10	NO	
<del>94094-XY</del>	<del>0.592</del>	<del>15.04</del>	<del>0.314</del>	<del>7.98</del>	<del>0.178</del>	<del>4.52</del>	<del>POLY BAGS</del>	<del>-</del>	<del>NO</del>	OB
<del>94544-XY</del>	<del>0.550</del>	<del>13.97</del>	<del>0.130</del>	<del>3.30</del>	<del>0.330</del>	<del>8.38</del>	<del>POLY BAGS</del>	<del>NOTE 10</del>	<del>NO</del>	OB
94611-XYH	0.320	8.13	0.095	2.41	0.125	3.18	POLY BAGS	-	NO	
<del>95017-XYH</del>	<del>0.560</del>	<del>14.22</del>	<del>0.060</del>	<del>1.52</del>	<del>0.400</del>	<del>10.16</del>	<del>POLY BAGS</del>	<del>-</del>	<del>NO</del>	OB
<del>95103-XY</del>	<del>1.064</del>	<del>27.03</del>	<del>0.433</del>	<del>11.00</del>	<del>0.531</del>	<del>13.49</del>	<del>POLY BAGS</del>	<del>NOTE 10</del>	<del>NO</del>	OB
<del>95104-XY</del>	<del>0.370</del>	<del>9.40</del>	<del>0.126</del>	<del>3.20</del>	<del>0.144</del>	<del>3.66</del>	<del>POLY BAGS</del>	<del>NOTE 10</del>	<del>NO</del>	OB
<del>95648-XYH</del>	<del>0.655</del>	<del>16.64</del>	<del>0.155</del>	<del>3.94</del>	<del>0.400</del>	<del>10.16</del>	<del>POLY BAGS</del>	<del>-</del>	<del>NO</del>	OB
<del>95655-XY</del>	<del>1.164</del>	<del>29.57</del>	<del>0.095</del>	<del>2.41</del>	<del>0.969</del>	<del>24.61</del>	<del>POLY BAGS</del>	<del>NOTE 10</del>	<del>NO</del>	OB
<del>98001-XYH</del>	<del>0.610</del>	<del>15.49</del>	<del>0.420</del>	<del>10.67</del>	<del>0.090</del>	<del>2.29</del>	<del>POLY BAGS</del>	<del>-</del>	<del>NO</del>	OB
<del>98136-XYH</del>	<del>0.475</del>	<del>12.07</del>	<del>0.095</del>	<del>2.41</del>	<del>0.280</del>	<del>7.11</del>	<del>POLY BAGS</del>	<del>-</del>	<del>NO</del>	OB
<del>10004394-XYH</del>	<del>0.290</del>	<del>7.37</del>	<del>0.095</del>	<del>2.41</del>	<del>0.095</del>	<del>2.41</del>	<del>POLY BAGS</del>	<del>-</del>	<del>NO</del>	OB
<del>10076764-XYH</del>	<del>0.479</del>	<del>12.19</del>	<del>0.114</del>	<del>2.9</del>	<del>0.265</del>	<del>6.75</del>	<del>POLY BAGS</del>	<del>-</del>	<del>YES</del>	OB
<del>10103017-XY</del>	<del>0.335</del>	<del>8.51</del>	<del>0.130</del>	<del>3.30</del>	<del>0.105</del>	<del>2.67</del>	<del>POLY BAGS</del>	<del>-</del>	<del>NO</del>	OB
10121349-XY	0.626	15.9	0.120	3.05	0.406	10.3	POLY BAGS/TAPE REEL	-	NO	NOTE 1,12

A

B

C

D

A

B

C

D



Copyright FCI.

www.fciconnect.com			surface ISO 1302 <input checked="" type="checkbox"/>	tolerance std ISO 406 ISO 1101	projection 	INCH/MM ←→		
			TOLERANCES UNLESS OTHERWISE SPECIFIED					
Dr	T.BREWBAKER	01/05/95	ANGULAR	LINEAR	0.X	±0.3	size A4	
Eng	T.HANNA	01/05/95			0.XX	±0.15		Scale 1.000
Chr	J.MURPHY	01/05/95	0°	±2°	0.XXX	±0.05	ECN	
Appr	T.HANNA	01/05/95	Product family		BERGSTIK	Spec ref		
			title BERGSTIK® II HEADER .100/2.54cc SR STRAIGHT			dwg no 68000		Rev. DB
			catalog no			CUSTOMER		sheet 8 of 8

1

2

3

4



## X-ON Electronics

Largest Supplier of Electrical and Electronic Components

*Click to view similar products for [Headers & Wire Housings](#) category:*

*Click to view products by [FCT Electronics](#) manufacturer:*

Other Similar products are found below :

[95000-104TRLF](#) [10135584-644402LF](#) [DF62W-EP2022PCA](#) [95000-106TRLF](#) [DF62W-2022SCA](#) [DF62W-EP2022PC](#) [2203348](#) [DF62W-2022SC](#) [1084018](#) [1029039](#) [1084017](#) [802-10-012-10-002000](#) [1112640](#) [1112639](#) [891-007-9SS-BST1T](#) [000-34000](#) [0008550134](#) [0009482033](#) [0009507031](#) [57102-F02-18ULF](#) [57102-S06-03LF](#) [57202-S52-04LF](#) [PCN6-15S-2.5E](#) [0039019024](#) [58102-G61-06LF](#) [582553-1](#) [0009485154](#) [0009508121](#) [0022285053](#) [0050291907](#) [018731A](#) [LY20-4P-DT1-P1E-BR](#) [02.125.8002.8](#) [60101931](#) [60598-1 \(Cut Strip\)](#) [M1625-3R/100](#) [61062-3](#) [61082-181009](#) [CSU011177004](#) [636-1427](#) [638009-1](#) [641938-9](#) [641991-4](#) [644168-1](#) [644827-2](#) [647662-1](#) [65039-019ELF](#) [65692-001LF](#) [65781-018](#) [65781-047](#)