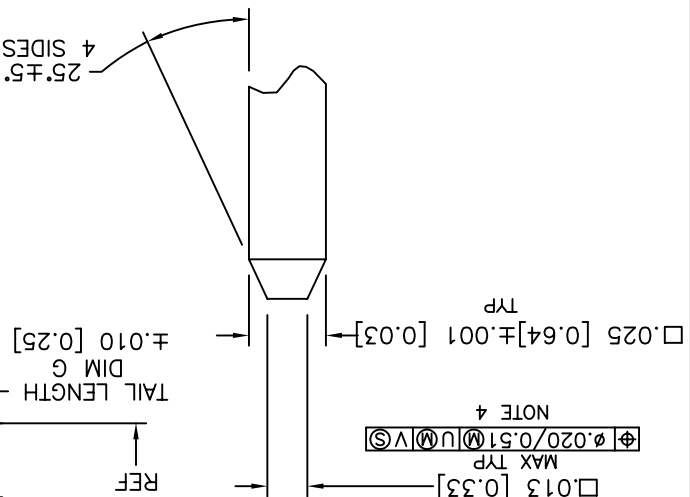
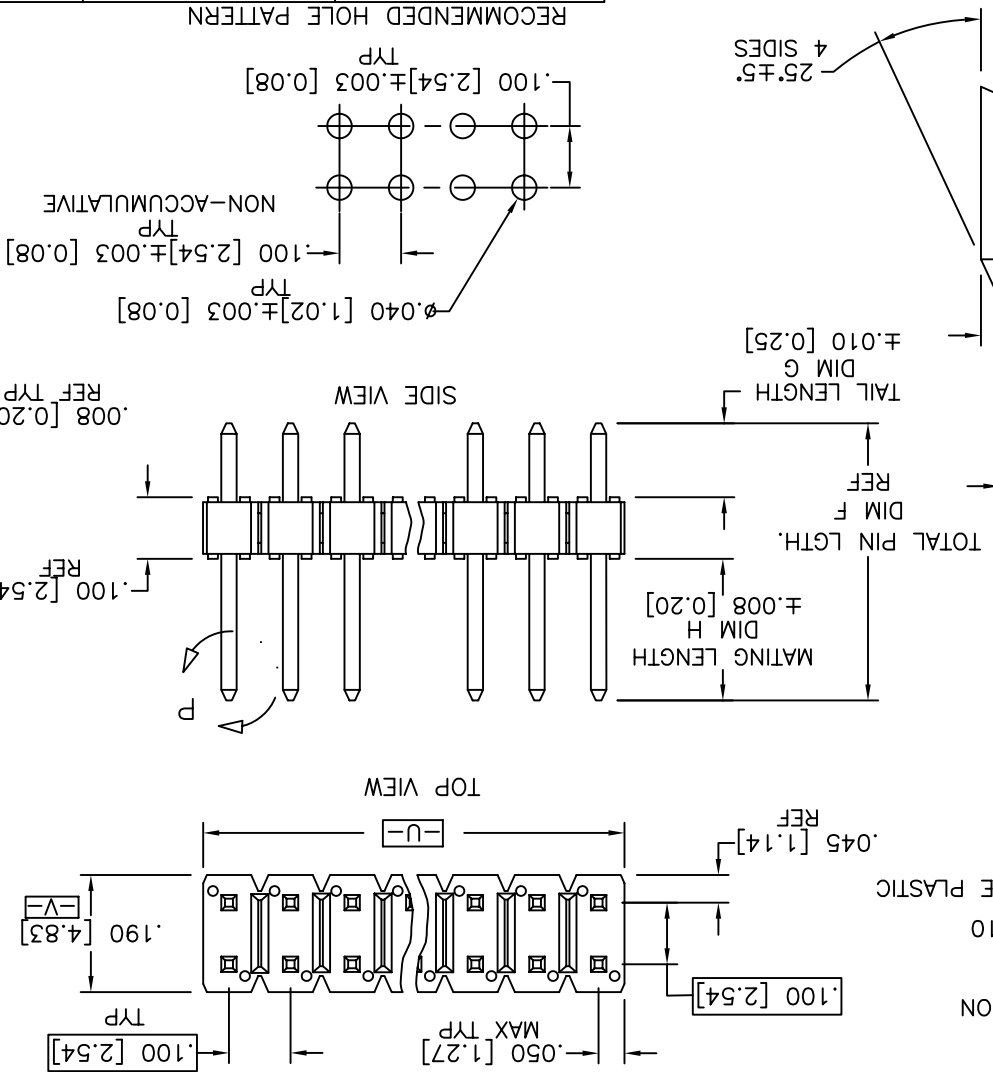




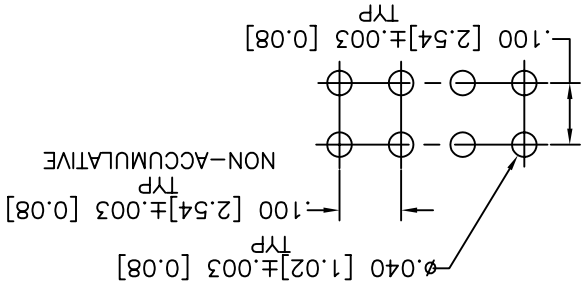
DETAIL P
SCALE 5:1
TYP BOTH ENDS



- PRODUCT NUMBER XXXXX-YYY HPLF
- LEAD FREE OPTION SEE NOTE 1
- SPECIAL OPTIONS SEE NOTE 1 OR 10
- HIGH TEMPERATURE PLASTIC SEE NOTE 1
- NO OF POSITIONS SEE NOTE 1
- PIN PLATING SEE SHEET 2
- BASE PART NO. SEE SHEET 2



RECOMMENDED HOLE PATTERN



mat'l. code		NOTE 2 & 3	
ltr	ecn no	dr	date
CN	V10177	MDF	01/26/01
GP	V20801	GIP	04/29/02
CR	V21675	GIP	10/22/02
CS	V21800	TAB	12/19/02
CT	V03-0257	DAI	03/05/03
CU	M04-0234	MHT	12/29/04
revision	CU	CU	CU
sheet	revision	sheet	revision

index	sheet	revision	CU	CU	CU	CU	CU	CU	CU	CU	CU	CU	CU	CU	CU
1	2	3	4	5	6	7	8	9	10	11	12	13	14	15	16
appd	T.HANNA	12/21/94	chr	T.HANNA	12/21/94	engr	T.HANNA	12/21/94	dr	T.BREWBAKER	12/21/94	o.f.z.	linear	.xxx±.005/.xxx±.13	.xxx±.01/.x±.3
scale	1:1	INCH/MM	projection	1:1	product family	BERGSTIK	size	dwg no	67996	sheet	1 of 8	code	213	title	BERGSTIK® II HDR. D/R .100/2.54cc STRAIGHT
customer	COPY	FCI	www.fciconnect.com	product family	BERGSTIK	size	dwg no	67996	sheet	1 of 8	code	213	title	BERGSTIK® II HDR. D/R .100/2.54cc STRAIGHT	

ACAD 1 2 3 4

1 2 3 4



PIN PLATING CODES:

XXXXX-1YY	30u"/0.76u MIN (SEE NOTE 14) OVER 50u"/1.27u MIN NI!
XXXXX-2YY	15u"/0.38u MIN (SEE NOTE 14) OVER 50u"/1.27u MIN NI!
XXXXX-3YY	50u"/1.27u MIN Au OVER 50u"/1.27u MIN NI!
XXXXX-4YY	TIN LEAD OPTION 120u"/3.05u MIN 93/7 SnPb OVER 50u"/1.27u MIN NI!
XXXXX-5YY	15u"/0.38u MIN (SEE NOTE 14) OVER 50u"/1.27u MIN NI!
XXXXX-6YY	30u"/0.76u MIN (SEE NOTE 14) OVER 50u"/1.27u MIN NI!
XXXXX-7YY	15u"/0.38u MIN Au OVER 50u"/1.27u MIN NI!
XXXXX-8YY	30u"/0.76u MIN Au OVER 50u"/1.27u MIN NI!

NOTES
 ① PART NUMBER OPTIONS:
 PIN PLATING CODES (SEE ABOVE)

HIGH TEMPERATURE MATERIAL:
 FOR HIGH-TEMPERATURE APPLICATIONS, SPECIFY AN "H" AT THE END OF THE PART NUMBER, AND PCT WILL BE SUPPLIED.

NUMBER OF POSITIONS :

EVEN NUMBER OF POSITIONS FROM 2 (2X1) THROUGH 72 (2X36).
 -X00H INDICATES BERGSTRIIP PRODUCT. SEE PAGE 3
 FOR SPECIAL GEOMETRY OF THIS CONTINUOUS STRIP PRODUCT.
 AUTOMATED REELS WILL CONTAIN 45,000 PINS.
 SEE SPECIFIC PART NUMBERS FOR AVAILABILITY.

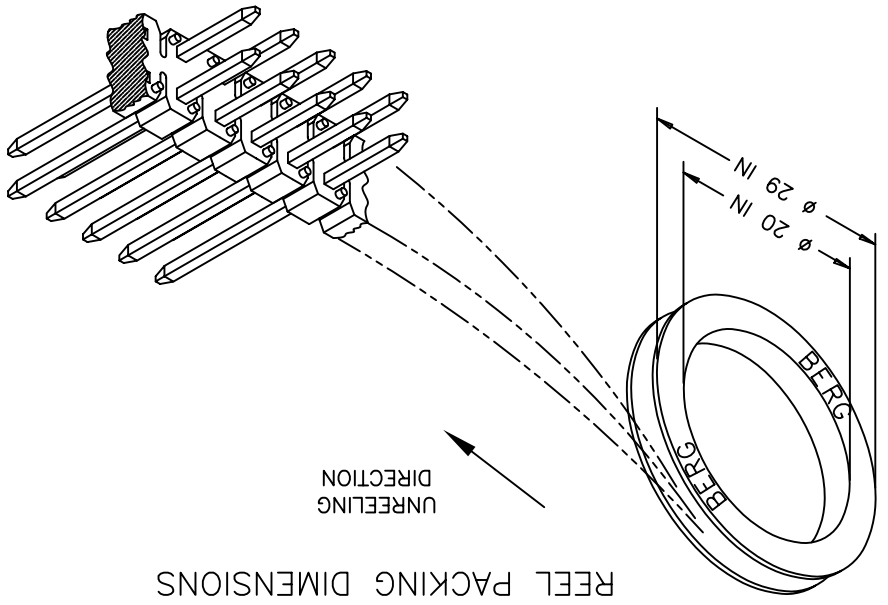
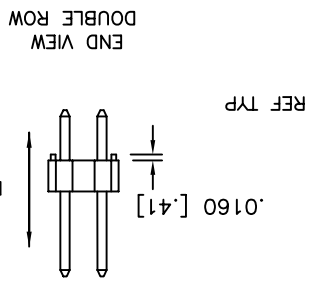
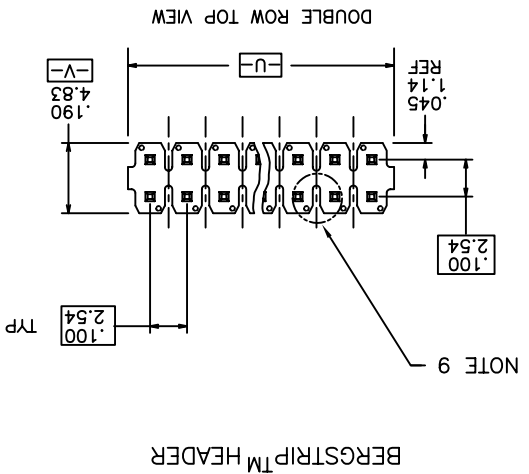
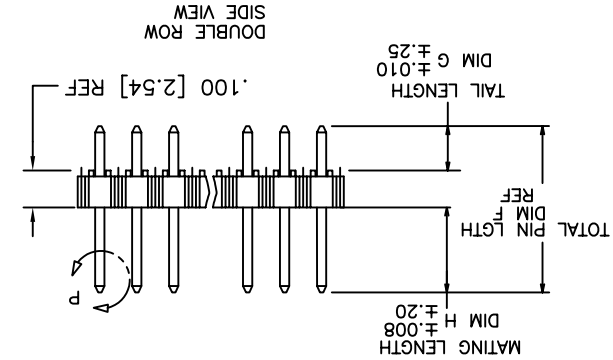
PACKAGING:
 PACKAGED IN POLY BAGS.
 EIGHT DIGIT PART NUMBERS FOLLOWED BY A "T" ARE PACKAGED IN TUBES. SEE SPECIFIC PART NUMBERS FOR AVAILABILITY.
 IN GPAX FOR IBM ONLY. SEE SPECIFIC PART NUMBERS FOR AVAILABILITY.
 PART NUMBERS FOLLOWED BY A "C" ARE PACKAGED IN TUBES WITH A PICKUP CAP APPLIED.

LEAD FREE:
 ADD LF SUFFIX AT THE END OF PART NUMBER FOR LEAD FREE OPTION, NOT AVAILABLE FOR -5YY,-5YYH,-6YY & -6YYH

- ② BODY MATERIAL:
 BODY MATERIAL : MANUFACTURER'S OPTION OF NYLON OR PCT.
 GLASS FIBER REINFORCED, FLAME RETARDENT PER UL-94V-0.
 COLOR: BLACK
 BERGSTRIIP™ PRODUCED WITH HIGH TEMPERATURE LCP
 THERMOPLASTIC, FLAME RETARDENT PER UL-94V-0.
 COLOR: BLACK
 PART NUMBERS WITH "H" SUFFIX WILL WITHSTAND EXPOSURE TO 260° C PEAK TEMPERATURE FOR 20 SECONDS IN WAVE SOLDER, INFRA-RED OR VAPOR PHASE SOLDER PROCESS.
 PART NUMBERS WITHOUT "H" SUFFIX WILL WITHSTAND EXPOSURE TO 260° C PEAK TEMPERATURE FOR WAVE SOLDER PROCESS.
- ③ PIN MATERIAL: PHOS BRONZE.
- ④ MEASURED WITH PART IN RESTRAINED CONDITION.
- ⑤ TWO SIDES OF PIN TIPS NOT PLATED. TYPICAL BOTH ENDS.
- ⑥ 2LBS/0.9KG MIN PIN RETENTION IN EITHER DIRECTION.
- ⑦ MILITARY BERGSTRIIP HEADER
 P/N XXXXX-XY-MIL
 NOT AVAILABLE.
- ⑧ ±.010/0.25 TOL APPLIES TO ALL "G" TAILS EXCEPT INDICATED PARTS ON TABLE WHERE +.010/0.25 - .000/0.00 APPLIES.
- ⑨ NOTCH CONFIGURATION WILL VARY PER VENDOR'S DISCRETION.
- ⑩ BERGSTRIIP™ PART NUMBERS FOLLOWED BY "A" OR "B" ARE BULK PRICED.
- ⑪ TAIL LENGTH (DIM. G) TO BE ±.008/.0.20.
- ⑫ POSITIONS PER ROW 37 TO 50 CAN BE PRODUCED, BUT FLATNESS AND CURVATURE MAY NOT BE HELD AS CLOSE AS 36 POSITIONS.
- ⑬ THESE PRODUCTS MEETS EUROPEAN UNION DIRECTIVES AND OTHER COUNTRY REGULATION AS DESCRIBED IN GS-22-008.
- ⑭ PLATING OPTIONS:
 MAY BE EITHER GOLD OR GXT PLATED AT MANUFACTURER'S OPTION.
- ⑮ "THIS PRODUCT HAS 100% TIN PLATING IN THE INTERFACE AND HAS NOT BEEN TESTED FOR WHISKER GROWTH IN ALL INTERCONNECT ENVIRONMENTS."

mat'l. code		NOTE 2 & 3		date		linear		angular		T.BREWBAKER		12/21/94		dr		engr		chr		oppt		T.HANNA		12/21/94		scale		1:1		A		67996		sheet		2 of 8	
tolerances unless otherwise specified		.XX±.01/.X±.3		.XXX±.005/.XX±.13		.XXXX±.0020/.XXXX±.051		0±.2		T.HANNA		12/21/94		engr		chr		oppt		T.HANNA		12/21/94		scale		1:1		A		67996		sheet		2 of 8			
CUSTOMER COPY		FCI		www.fciconnect.com		BERGSTRIIP® II HDR. D/R		.100/2.54cc STRAIGHT		product family		BERGSTIK		code		213		size		dwg no		67996		sheet		2 of 8		A		67996		sheet		2 of 8			

1 | 2



mat'l. code		NOTE 2 & 3		tolerances unless otherwise specified		.xxx±.01/.x±.3		linear		.xxx±.005/.xxx±.13		projection		title		www.fciconnect.com	
itr		ecn no		dr		date		angles		dr		T.BREWBAKER		12/21/94			
sheet		revision		index				engr		T.HANNA		12/21/94		size		dwg no	
3 of 8		213		code		product family		BERGSTRIPTM HDR, D/R		100/2.54cc STRAIGHT		product family		BERGSTRIPTM		67996	
sheet		revision		index				appd		T.HANNA		12/21/94		scale		1:1	
3 of 8		213		code		product family		BERGSTRIPTM HDR, D/R		100/2.54cc STRAIGHT		product family		BERGSTRIPTM		67996	
cage code		22526		3		4											

ACAD

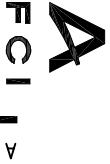
PDM: Rev:CU

STATUS: Released

Printed: May 11, 2009

1 | 2

3 | 4



mat'l. code		NOTE 2 & 3		tolerances unless otherwise specified		.xxx±.01/.xx.3		linear		.xxx±.005/.xxx.13		.xxx±.0020/.xxx±.051		angles		dr T.BREWBAKER 12/21/94		engr T.HANNA 12/21/94		chr T.HANNA 12/21/94		dppd T.HANNA 12/21/94		sheet revision		index			
itr		ecn no		dr		date		CU		CU		CU		CU		CU		CU		CU		CU		CU		CU		CU	
CUSTOMER COPY		FCI		www.fciconnect.com		title		BERGSTIK® II HDR. D/R		.100/2.54cc STRAIGHT		product family		BERGSTIK		size		dwg no		67996		sheet		4 of 8		cage code		22526	

PRODUCT NUMBER	TOT. PIN LGTH.	TAIL LENGTH	MATING LENGTH	DIM G	DIM G	DIM H	DIM H	PACKAGING	NOTES	AVAILABLE
55005-XXXXH	0.597	15.16	0.095	2.41	0.402	10.21		POLY BAGS		YES
55030-XXXXH	0.630	16.00	0.150	3.81	0.380	9.65		POLY BAGS		YES
67966-XXX	0.425	10.80	0.095	2.41	0.230	5.84		POLY BAGS/TUBES		YES
67997-XXXH	0.450	11.43	0.120	3.05	0.230	5.84		POLY BAGS/TUBES		YES
67998-XXX	0.525	13.34	0.107	2.72	0.318	8.08		POLY BAGS/TUBES		YES
67999-XXX	0.548	13.92	0.130	3.30	0.318	8.08		POLY BAGS		NO
68438-XXX	0.555	14.10	0.225	5.72	0.230	5.84		POLY BAGS/TUBES		NO
68439-XXX	0.720	18.29	0.120	3.05	0.500	12.70		POLY BAGS		NO
68464-XXX	0.650	16.51	0.120	3.05	0.430	10.92		POLY BAGS/TUBES		NO
68481-XXX	0.480	12.19	0.095	2.41	0.285	7.24		POLY BAGS/TUBES		NO
68482-XXX	0.938	23.83	0.318	8.08	0.520	13.21		POLY BAGS		NO
68491-XXX	0.475	12.07	0.120	3.05	0.255	6.48		POLY BAGS/TUBES		NO
68600-XXX	0.825	20.96	0.115	2.92	0.610	15.49		POLY BAGS		NO
68601-XXX	0.620	15.75	0.120	3.05	0.400	10.16		POLY BAGS		NO
68602-XXX	0.480	12.19	0.150	3.81	0.230	5.84		POLY BAGS		NO
68690-XXX	0.533	13.54	0.115	2.92	0.318	8.08		POLY BAGS		NO
68691-XXX	0.538	13.67	0.120	3.05	0.318	8.08		POLY BAGS		YES
68692-XXX	0.430	10.92	0.100	2.54	0.230	5.84		POLY BAGS		NO
68693-XXX	0.938	23.83	0.520	13.21	0.318	8.08		POLY BAGS		NO
68716-XXX	0.828	21.03	0.410	10.41	0.318	8.08		POLY BAGS		NO
68734-XXX	0.615	15.62	0.230	5.84	0.285	7.24		POLY BAGS		NO
68737-XXX	0.440	11.18	0.110	2.79	0.230	5.84		POLY BAGS		YES
68738-XXX	0.615	15.62	0.115	2.92	0.400	10.16		POLY BAGS		NO
68739-XXX	0.486	12.34	0.156	3.96	0.230	5.84		POLY BAGS		NO
68743-XXX	0.638	16.21	0.220	5.59	0.318	8.08		POLY BAGS		NO
68749-XXX	0.838	21.29	0.420	10.67	0.318	8.08		POLY BAGS		NO
68779-XXX	0.736	18.69	0.318	8.08	0.318	8.08		POLY BAGS		NO
68783-XXX	0.375	9.53	0.045	1.14	0.230	5.84		POLY BAGS		NO
68799-XXX	0.925	23.50	0.595	15.11	0.230	5.84		POLY BAGS		NO

NOTE 1,13

OPTION

LF

NOTE 1,13

PRODUCT NUMBER	TOT. PIN LGTH.	TAIL LENGTH	MATING LENGTH	DIM F	DIM F	DIM G	DIM G	DIM H	DIM H	DIM H	ENGLISH METRIC	ENGLISH METRIC	ENGLISH METRIC	PACKAGING	NOTES	AVAILABLE	BERGSTRIPTM
69132-XY	0.760	19.30	0.120	3.05	0.540	13.72	POLY BAGS/TUBES										
69133-XY	0.615	15.62	0.285	7.24	0.230	5.84	POLY BAGS										
69157-XY	0.410	10.41	0.110	2.79	0.200	5.08	POLY BAGS										
71217-XYH	1.000	25.40	0.450	11.43	0.450	11.43	POLY BAGS										
71222-XYH	0.850	21.59	0.250	6.35	0.500	12.70	POLY BAGS										
72273-XYH	0.725	18.42	0.110	2.79	0.515	13.08	POLY BAGS										
72448-XYH	0.658	16.71	0.172	4.37	0.386	9.80	POLY BAGS										
72455-XYH	0.598	15.19	0.180	4.57	0.318	8.08	POLY BAGS										
72455-632HG	0.598	15.19	0.180	4.57	0.318	8.08	GPA		NOTE 1								
73503-XYH	0.420	10.67	0.120	3.05	0.200	5.08	POLY BAGS										
73596-XYH	0.795	20.19	0.110	2.79	0.585	14.86	POLY BAGS										
74317-XYH	0.532	13.51	0.309	7.85	0.123	3.12	POLY BAGS		NOTE 11								
74318-XYH	0.592	15.04	0.369	9.37	0.123	3.12	POLY BAGS		NOTE 11								
74999-XYH	0.508	12.90	0.090	2.29	0.318	8.08	POLY BAGS										
78212-XY	0.710	18.03	0.350	8.89	0.260	6.60	POLY BAGS										
78233-XY	0.568	14.43	0.150	3.81	0.318	8.08	POLY BAGS										
78269-XY	0.385	9.78	0.095	2.41	0.190	4.83	POLY BAGS										
78286-XY	0.500	12.70	0.160	4.06	0.240	6.10	POLY BAGS/TUBES										
78932-XY	UNAVAILABLE	UNAVAILABLE	UNAVAILABLE	UNAVAILABLE	UNAVAILABLE	UNAVAILABLE	UNAVAILABLE										
78933-XY	0.695	17.65	0.285	7.24	0.310	7.87	POLY BAGS										
78988-XY	0.540	13.72	0.135	3.43	0.305	7.75	POLY BAGS										
78989-XY	UNAVAILABLE	UNAVAILABLE	UNAVAILABLE	UNAVAILABLE	UNAVAILABLE	UNAVAILABLE	UNAVAILABLE										
78990-XY	UNAVAILABLE	UNAVAILABLE	UNAVAILABLE	UNAVAILABLE	UNAVAILABLE	UNAVAILABLE	UNAVAILABLE										
78991-XY	UNAVAILABLE	UNAVAILABLE	UNAVAILABLE	UNAVAILABLE	UNAVAILABLE	UNAVAILABLE	UNAVAILABLE										
78992-XY	UNAVAILABLE	UNAVAILABLE	UNAVAILABLE	UNAVAILABLE	UNAVAILABLE	UNAVAILABLE	UNAVAILABLE										
78993-XY	UNAVAILABLE	UNAVAILABLE	UNAVAILABLE	UNAVAILABLE	UNAVAILABLE	UNAVAILABLE	UNAVAILABLE										
78994-XY	UNAVAILABLE	UNAVAILABLE	UNAVAILABLE	UNAVAILABLE	UNAVAILABLE	UNAVAILABLE	UNAVAILABLE										

LF OPTION NOTE 1,13

mat'l. code		NOTE 2 & 3		tolerances unless otherwise specified	linear .XX ±.01/0.3	angles 0 ±.2	dr T.BREWBAKER 12/21/94	engr T.HANNA 12/21/94	chr T.HANNA 12/21/94	appd T.HANNA 12/21/94	sheet revision
itr	ecn no	dr	date		.XXX ±.005/0.13	XXXX ±.0020/0.051					
CUSTOMER COPY		FCI		www.fciconnect.com		BERGSTRIPTM HDR. D/R		.100/2.54cc STRAIGHT		product family BERGSTIK	
size dwg no		code		product family BERGSTIK		size dwg no		code		sheet	
213		213		213		213		213		5 of 8	

scale 1:1

INCH/MM

projection

projection

projection

projection



PRODUCT NUMBER	TOT. PIN LGTH.	TAIL LENGTH	MATING LENGTH	LENGTH	BERGSTRIP™	OPTION	LF
	DIM F	DIM F	DIM G	DIM G	DIM H	DIM H	
	ENGLISH METRIC	ENGLISH METRIC	ENGLISH METRIC	ENGLISH METRIC	ENGLISH METRIC	ENGLISH METRIC	
							NOTES
							AVAILABLE
78995-XY		UNAVAILAB	E	UNAVAILAB	E	UNAVAILAB	
78996-XY		UNAVAILAB	E	UNAVAILAB	E	UNAVAILAB	
79242-XY	0.930	23.62	0.340	8.64	0.490	12.45	POLY BAGS
79243-XY	1.230	31.24	0.390	9.91	0.740	18.80	POLY BAGS
79244-XY		UNAVAILAB	E	UNAVAILAB	E	UNAVAILAB	
79268-XY	1.020	25.91	0.120	3.05	0.800	20.32	POLY BAGS
79271-XY	1.100	27.94	0.500	12.70	0.500	12.70	POLY BAGS
79425-XY	0.410	10.41	0.120	3.05	0.190	4.83	POLY BAGS
79821-XY	0.730	18.54	0.200	5.08	0.430	10.92	POLY BAGS
84610-XYH	0.380	9.65	0.120	3.05	0.160	4.06	POLY BAGS
84760-XYH	0.870	22.09	0.150	3.81	0.620	15.74	POLY BAGS
84784-XYH	1.130	28.70	0.122	3.09	0.908	23.06	POLY BAGS
84934-XYH	1.375	34.93	0.625	15.88	0.650	16.51	POLY BAGS
84976-XYH	0.730	18.54	0.400	10.16	0.230	5.84	POLY BAGS
86503-XY	0.470	11.94	0.120	3.05	0.250	6.35	POLY BAGS
86581-XY	0.450	11.43	0.120	3.05	0.230	5.84	POLY BAGS
86817-XY	0.925	23.50	0.120	3.05	0.705	17.91	POLY BAGS
86827-XY	0.700	17.78	0.120	3.05	0.480	12.19	POLY BAGS
86832-XY	0.525	13.34	0.100	2.54	0.325	8.26	POLY BAGS
86834-XY	1.335	33.91	0.585	14.86	0.650	16.51	POLY BAGS
86836-XY	0.870	22.10	0.120	3.05	0.650	16.51	POLY BAGS
86837-XY	0.600	15.24	0.120	3.05	0.380	9.65	POLY BAGS
87037-XY	1.240	31.50	0.120	3.05	1.020	25.91	POLY BAGS
87052-XY	0.990	25.15	0.120	3.05	0.770	19.56	POLY BAGS
87203-XY	0.545	13.84	0.150	3.81	0.295	7.49	POLY BAGS
87344-XY	1.375	34.93	0.219	5.56	1.056	26.82	POLY BAGS

NOTE 1,13

NOTE 1,13

mat'l. code		NOTE 2 & 3		tolerances unless otherwise specified		CUSTOMER COPY		www.fciconnect.com		
itr	ecn no	dr	date	linear	.XXX ±.005/0.13	projection	title	FCI		
angles	T.BREWBAKER 12/21/94		dr	.XXX ±.0020/0.051		of .F2	BERGSTIK® II HDR. D/R		.100/2.54cc STRAIGHT	
engr	T.HANNA 12/21/94		engr	T.HANNA 12/21/94		product family	BERGSTIK		code	
chr	T.HANNA 12/21/94		chr	T.HANNA 12/21/94		scale	1:1		size	
opdd	T.HANNA 12/21/94		opdd	T.HANNA 12/21/94		sheet	6 of 8		code	
revision			revision			sheet	6 of 8		code	
index			index			sheet	6 of 8		code	

4

3

2

1

2

1

2

3

4

4

3

2

1

2

3

4

ACAD

PDM: Rev:CU

STATUS: Released

Printed: May 11, 2005

22526

cage code



PRODUCT NUMBER	TOT. PIN LGTH.	TAIL LENGTH	MATING LENGTH	DIM H	DIM G	DIM G	DIM F	DIM F	DIM F	METRIC	ENGLISH	METRIC	ENGLISH	METRIC	ENGLISH
87345-XY	1.218	30.94	0.406	10.31	0.712	18.08	POLY BAGS	NO							
87348-XY	0.930	23.62	0.100	2.54	0.730	18.54	POLY BAGS	NO							
87349-XY	0.890	22.61	0.110	2.79	0.680	17.27	POLY BAGS	NO							
87381-XY	0.645	16.38	0.100	2.54	0.445	11.30	POLY BAGS	NO							
87382-XY	0.675	17.15	0.100	2.54	0.475	12.07	POLY BAGS	NO							
87503-XY	0.630	16.00	0.110	2.79	0.420	10.67	POLY BAGS	NO							
87869-XY	0.690	17.53	0.230	5.84	0.360	9.14	POLY BAGS	NO							
87894-XY	0.588	14.94	0.170	4.32	0.318	8.08	POLY BAGS	NO							
87900-XY	0.940	23.88	0.120	3.05	0.720	18.29	POLY BAGS	NO							
87901-XY	1.040	26.42	0.120	3.05	0.820	20.83	POLY BAGS	NO							
87903-XY	0.963	24.46	0.337	8.56	0.526	13.36	POLY BAGS	NO							
88797-XY	0.950	24.13	0.320	8.13	0.530	13.46	POLY BAGS	NO							
88812-XY	0.415	10.54	0.085	2.16	0.230	5.84	POLY BAGS/TUBES	NOTE 8							
88886-XY	1.306	33.17	0.276	7.01	0.930	23.62	POLY BAGS	NO							
89446-XY	0.930	23.62	0.120	3.05	0.710	18.03	POLY BAGS	NO							
89540-XY	0.760	19.30	0.280	7.11	0.380	9.65	POLY BAGS	NO							
89542-XY	1.065	27.05	0.125	3.18	0.840	21.34	POLY BAGS	NO							
89639-XY	1.260	32.00	0.118	3.00	1.042	26.47	POLY BAGS	NO							
91828-XY	0.450	11.43	0.120	3.05	0.230	5.84	TUBES	NO							
92417-XY	0.530	13.46	0.110	2.79	0.320	8.13	POLY BAGS	NO							
93216-XY	0.573	14.55	0.155	3.94	0.318	8.08	POLY BAGS/TUBES	NO							
93216-632HG	0.573	14.55	0.155	3.94	0.318	8.08	GPAX	NOTE 1							
93217-XY	0.395	10.03	0.095	2.41	0.200	5.08	POLY BAGS	NO							
93254-XY	0.563	14.30	0.110	2.79	0.353	8.97	POLY BAGS	NO							

NOTE 1,13

NOTE 1,13

LF OPTION

mat'l. code		NOTE 2 & 3		tolerances unless otherwise specified		CUSTOMER COPY		 www.fciconnect.com	title BERGSTIK ® II HDR. D/R .100/2.54cc STRAIGHT	product family BERGSTIK	size dwg no 213	sheet 7 of 8	sheet 67996	cage code 22526
ltr	ecn no	dr	date	linear	angles	dr	engr							
CU				.XXX ±.005/0.13	° ±2	T.BREWBAKER	12/21/94	T.HANNA	12/21/94	1:1	INCH/MM			
sheet	revision	revision	sheet											
index														

1 | 2

1 | 2

4

A

4

3

3



PRODUCT NUMBER	TOT. PIN LGTH.	TAIL LENGTH	MATING LENGTH	ENGLISH METRIC	ENGLISH METRIC	ENGLISH METRIC	DIM F	DIM F	DIM G	DIM G	DIM H	DIM H	DIM H	PACKAGING	NOTES	AVAILABLE	OPTION
94010-XYH	0.756	19.20	0.350	8.89	0.700	17.78	POLY BAGS	NO	—	—	—	—	—	—	—	—	NOTE 1,13
94532-XYH	1.250	31.75	0.450	11.43	0.700	17.78	POLY BAGS	NO	—	—	—	—	—	—	—	—	NOTE 1,13
95105-XY	0.370	9.40	0.126	3.20	0.144	3.66	POLY BAGS	NO	—	—	—	—	—	—	—	—	—
95645-XYH	0.350	8.89	0.100	2.54	0.150	3.81	POLY BAGS	NO	—	—	—	—	—	—	—	—	—
95652-XYH	0.500	12.70	0.070	1.78	0.330	8.38	POLY BAGS	NO	—	—	—	—	—	—	—	—	—
95665-XYH	0.835	21.21	0.335	8.51	0.400	10.16	POLY BAGS	NO	—	—	—	—	—	—	—	—	—
95687-XYH	0.820	20.83	0.360	9.14	0.360	9.14	POLY BAGS	NO	—	—	—	—	—	—	—	—	—
95712-XYH	1.090	27.69	0.110	2.79	0.880	22.35	POLY BAGS	NO	—	—	—	—	—	—	—	—	—
95727-XYH	0.825	20.96	0.110	2.79	0.615	15.62	POLY BAGS	NO	—	—	—	—	—	—	—	—	—
98181-XYH	0.760	19.30	0.218	5.54	0.442	11.23	POLY BAGS	NO	—	—	—	—	—	—	—	—	—
98217-XYH	0.756	19.20	0.328	8.33	0.328	8.33	POLY BAGS	NO	—	—	—	—	—	—	—	—	—
98329-XYH	0.930	23.62	0.415	10.54	0.415	10.54	POLY BAGS	NO	—	—	—	—	—	—	—	—	—
98854-XYH	0.450	11.43	0.120	3.05	0.230	5.84	TUBES	NO	—	—	—	—	—	—	—	—	—
10017852-XYH	0.450	11.43	0.125	3.18	0.225	5.72	POLYBAGS	NO	—	—	—	—	—	—	—	—	NOTE 1,13

mat'l. code		NOTE 2 & 3		tolerances unless otherwise specified		CUSTOMER COPY		FCI		www.fciconnect.com	
itr	ecn no	dr	date	linear	angles	dr	product family	title	projection	INCH/MM	scale
				.XXX ±.005/0.13	0 ±.2	T.BREWBAKER	BERGSTIK @ II HDR. D/R	BERGSTIK @ II HDR. D/R	1st angle		1:1
				.XXX ±.0020/0.051		T.HANNA	100/2.54cc STRAIGHT	BERGSTIK			
						chr	product family	product family			
						engr	product family	product family			
						ppd	product family	product family			
							product family	product family			
sheet	revision	size dwg no		size dwg no		size dwg no		size dwg no		size dwg no	
		213		213		213		213		213	
index	revision	sheet		sheet		sheet		sheet		sheet	
		8 of 8		8 of 8		8 of 8		8 of 8		8 of 8	

1 | 2

1 | 2

4

A

B

3

3

X-ON Electronics

Largest Supplier of Electrical and Electronic Components

Click to view similar products for [Headers & Wire Housings](#) category:

Click to view products by [Amphenol](#) manufacturer:

Other Similar products are found below :

[95000-104TRLF](#) [10135584-644402LF](#) [DF62W-EP2022PCA](#) [95000-106TRLF](#) [DF62W-2022SCA](#) [DF62W-EP2022PC](#) [2203348](#) [DF62W-2022SC](#) [1084018](#) [1029039](#) [1084017](#) [802-10-012-10-002000](#) [1112640](#) [1112639](#) [891-007-9SS-BST1T](#) [000-34000](#) [0008550134](#) [0009482033](#) [0009507031](#) [57102-F02-18ULF](#) [57102-S06-03LF](#) [57202-S52-04LF](#) [PCN6-15S-2.5E](#) [0039019024](#) [58102-G61-06LF](#) [582553-1](#) [0009485154](#) [0009508121](#) [0022285053](#) [0050291907](#) [018731A](#) [LY20-4P-DT1-P1E-BR](#) [02.125.8002.8](#) [60101931](#) [60598-1 \(Cut Strip\)](#) [M1625-3R/100](#) [61062-3](#) [61082-181009](#) [CSU011177004](#) [636-1427](#) [638009-1](#) [641938-9](#) [641991-4](#) [644168-1](#) [644827-2](#) [647662-1](#) [65039-019ELF](#) [65692-001LF](#) [65781-018](#) [65781-047](#)