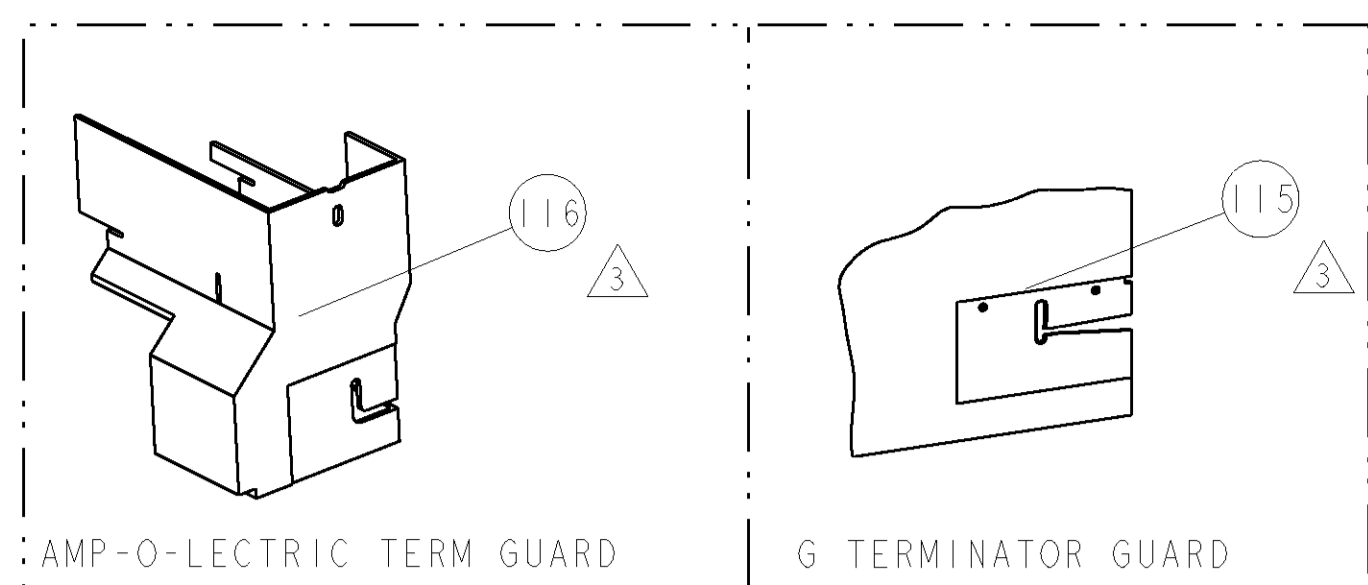


PART NUMBER	REV	FIRST USED	POWER UNIT	FEED TYPE	DESCRIPTION
1855311-1	A	122500-1	LEADMAKER	POST FEED	CUTS CARRIER
1855311-2	A	565435-5	BENCH MODEL K	PRE FEED	CUTS CARRIER
1855311-3	A	354500-1	BENCH MODEL G	PRE FEED	CUTS CARRIER
1855311-6	A	122500-1	LEADMAKER	POST FEED	CONTINUOUS CARRIER
7-1855311-7	A	-	-	-	SPARE PARTS



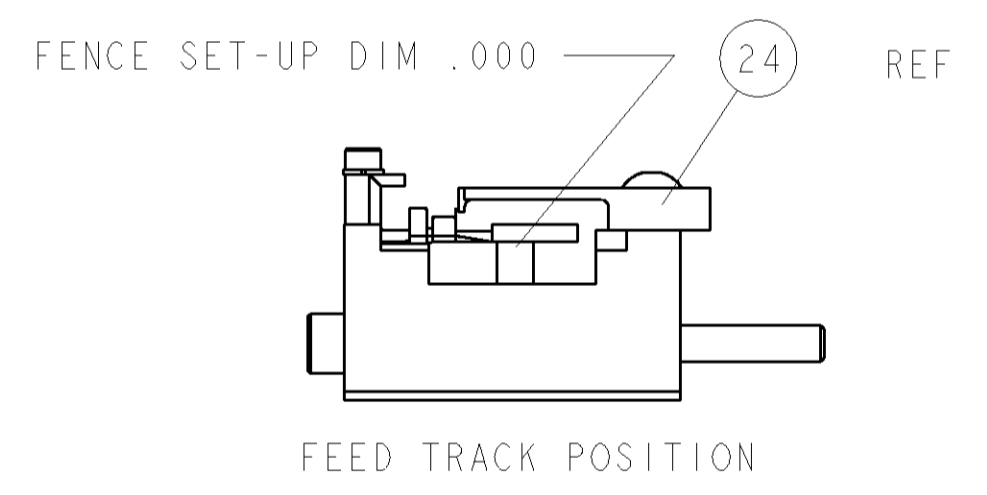
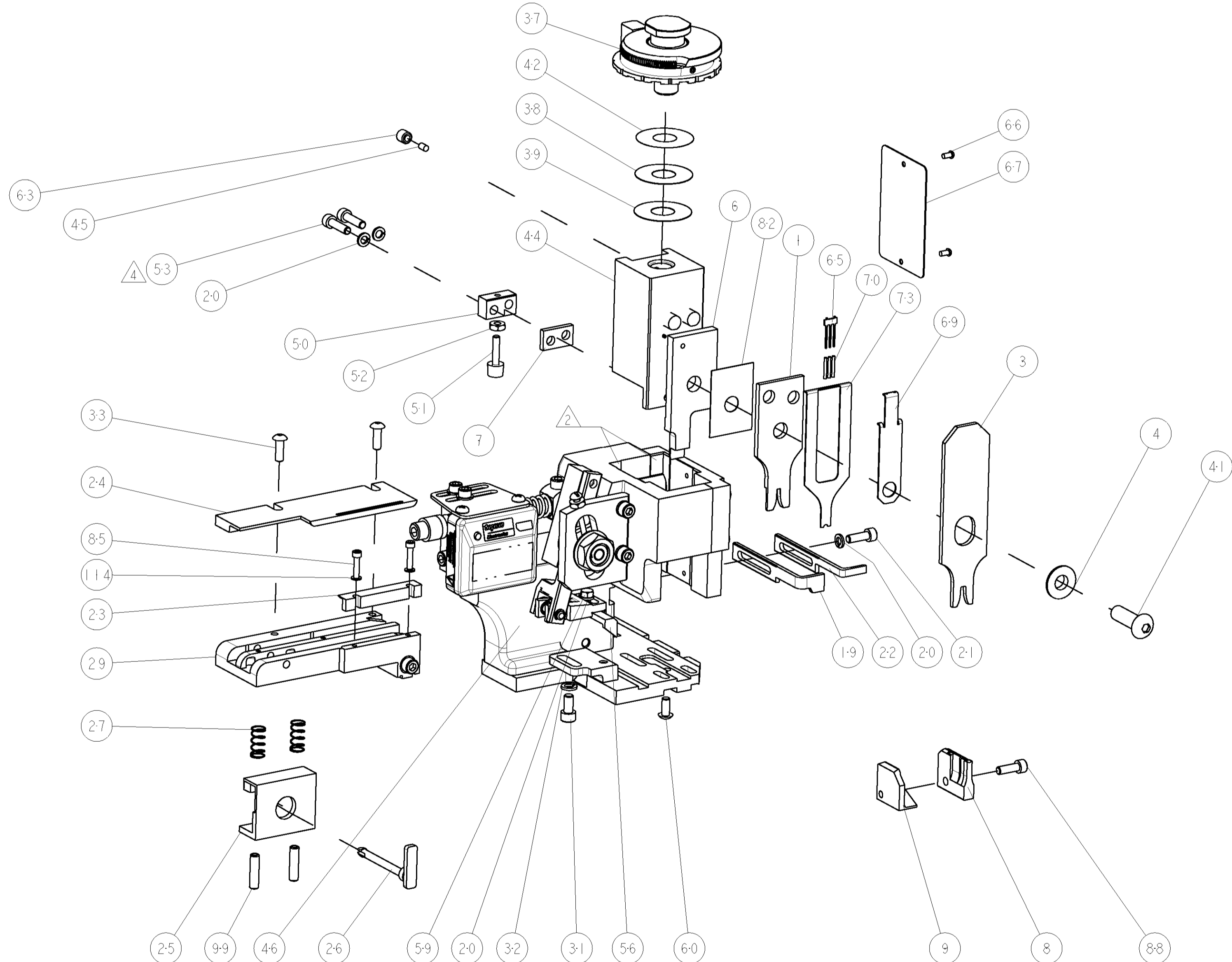
TERMINAL NAME: Ø.093 SOCKET

TE TERM PN	MFR TERM PN	MOLEX TERMINAL - TE CRIMP SPECS	REF SETTING
1572331-1	02-09-2101	CRIMP HEIGHT	
1572331-2	02-09-6100	WIRE SIZE	A2
-	-	.071±.002[1.80±0.05mm]	
-	-	.058±.002[1.47±0.05mm]	C5
SOCKET	-	.051±.002[1.29±0.05mm]	D8
1572332-1	02-09-1102	WIRE SIZE	E8
1572332-2	02-09-5100	CRIMP	
1572332-3	02-09-5102	SIZE	
-	-	TYPE	
-	-	RANGE	
-	-	WIRE	.080 [2.03mm] F 20-14 AWG
-	-	INSUL	.130 [3.30mm] F Ø.065-.161
WIRE STRIP LENGTH	TERM APPL SPEC	FEED	APPLICATOR INSTRUCTIONS
.156-.188	NONE	.498	408-8040
			SET UP GAGE 458637-1

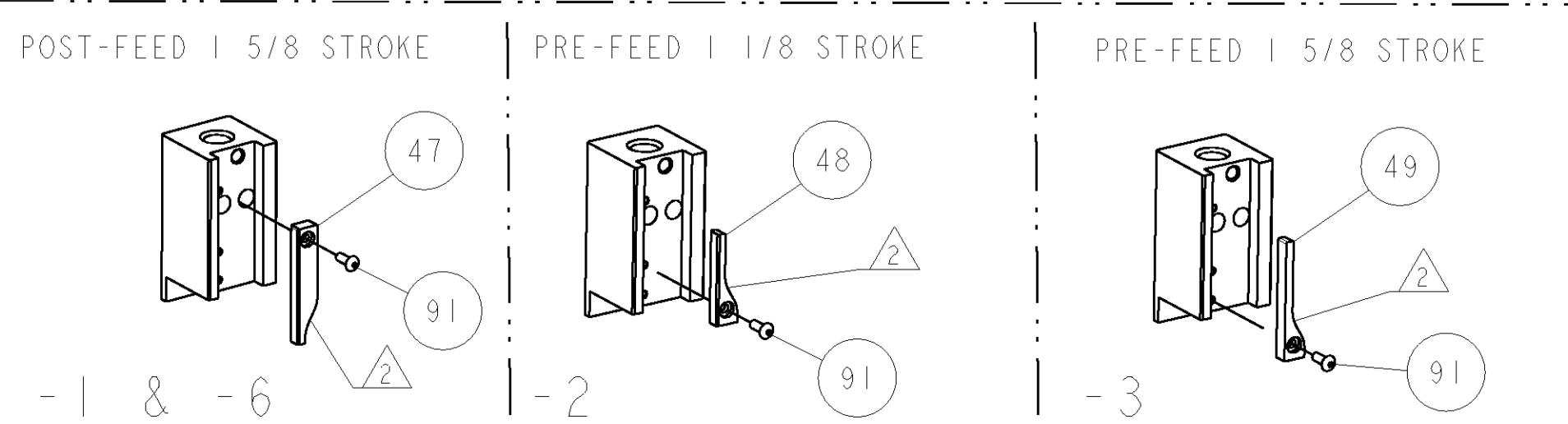
LOC	DIST	REV	DESCRIPTION	DATE	DWN	APVD
A	66		RELEASED	16AUG2007	ROW	GB

- △ RECOMMENDED SPARE PARTS
- △ GREASE LIGHTLY
- △ GUARD MUST BE IN PLACE WHEN OPERATING APPLICATOR IN A BENCH MACHINE.
- △ ITEM 53, CUT TO LENGTH AT ASSEMBLY.

*** WARNING**
ON INSTALLATION, SET WIRE DISC TO LARGEST WIRE SIZE SETTING. USE OF SETTINGS BELOW MIN. REQUIRED CRIMP HEIGHT SETTING WILL CAUSE DAMAGE TO CRIMP TOOLING.



3	-	-	-	REF	-	..	455749-1	GUARD WINDOW	116
3	-	-	REF	-	-	..	679532-1	INSERT, GUARD	115
-	2	2	2	2	-	-	21024-2	WASHER, SPRG LOCK, REG NO 4	114
-	2	2	2	2	-	-	5-21006-6	SCR, SET, CUP POINT 10-32 X .750	99
-	1	1	1	1	-	-	1-21002-7	SCR, BTN SKT HD CAP 6-32 X .375	91
-	1	1	1	1	-	-	2-21000-7	SCR, SKT HD CAP 8-32 X .500	88
-	2	2	2	2	-	-	1-21000-5	SCR, SKT HD CAP 4-40 X .500	85
-	1	1	1	1	-	-	455888-2	SPACER, CRIMPER	82
-	1	1	1	1	-	-	1490525-3	DEPRESSOR, WIRE	73
-	1	1	1	1	-	-	4088040	SF APPL INST 408-8040	72
-	1	1	1	1	-	-	217238-1	GENERAL INSTRUCTION PKG	71
-	3	3	3	3	-	-	2-23147-2	SPRING, COMPRESSION	70
-	1	1	1	1	-	-	1490524-1	DEPRESSOR, SPACER	69
-	1	1	1	1	-	-	461264-5	PLATE, IDENTIFICATION	67
-	2	2	2	2	-	-	21017-2	SCREW, DRIVE	66
-	1	1	1	1	-	-	1424350-1	HOLDER, PIN, WIRED	65
-	1	1	1	1	-	-	21009-2	SCR, SET, SELF LOCKING 1/4-20 X .250	63
-	1	1	1	1	-	-	22733-8	SCR, BHSC, SELF-LOCKING, 8-32 X .375	60
-	1	1	1	1	-	-	2-22603-0	SCR, HEX HD CAP 8-32 X .312	59
-	1	1	1	1	-	-	4-694433-4	FEED PAWL	56
4	-	2	2	2	2	-	2-21000-8	SCR, SKT HD CAP 8-32 X .625	53
-	1	1	1	1	-	-	21018-5	NUT, HEX, REG 6-32	52
-	1	1	1	1	-	-	811242-2	BUMPER, HOLD DOWN	51
-	1	1	1	1	-	-	690753-1	SPACER, TONKER	50
-	-	-	-	-	-	..	690602-6	CAM, PRE FEED, 1 5/8	49
-	-	-	-	-	-	..	690602-5	CAM, PRE FEED, 1 1/8	48
-	1	-	-	-	-	-	690501-4	CAM, POST FEED, 1 5/8	47
-	1	1	1	1	-	-	459456-1	APPL. BASIC SUB ASSY (SIDE WISE MQCA)	46
-	1	1	1	1	-	-	690191-1	PLUG, NYLON	45
-	1	1	1	1	-	-	455673-8	RAM, SIDE FEED	44
-	1	1	1	1	-	-	469367-3	SHIM	42
-	1	1	1	1	-	-	7-21002-9	SCR, BTN SKT HD CAP 5/16-24 X 1.00	41
-	1	1	1	1	-	-	690125-1	SHIM SUB-ASSY	39
-	1	1	1	1	-	-	469367-1	SHIM	38
-	1	1	1	1	-	-	879103-2	FINE ADJUST HEAD ASSEMBLY	37
-	2	2	2	2	-	-	2-21002-2	SCR, BTN SKT HD CAP 8-32 X .500	33
-	1	1	1	1	-	-	21024-5	WASHER, SPRG LOCK, REG NO 10	32
-	1	1	1	1	-	-	3-21000-4	SCR, SKT HD CAP 10-32 X .375	31
-	1	1	1	1	-	-	1-318756-4	STRIP GUIDE PLATE ASSY	29
-	2	2	2	2	-	-	8-22281-7	SPRING, COMPRESSION	27
-	1	1	1	1	-	-	690546-1	LEVER, DRAG RELEASE	26
-	1	1	1	1	-	-	2-690754-1	DRAG, SPECIAL	25
-	1	1	1	1	-	-	1320860-2	STRIP GUIDE, REAR	24
-	1	1	1	1	-	-	1-690712-6	FRONT STRIP GUIDE	23
-	1	1	1	1	-	-	690472-2	STRIPPER	22
-	1	1	1	1	-	-	2-21000-7	SCR, SKT HD CAP 8-32 X .500	21
-	4	4	4	4	-	-	21024-4	WASHER, SPRG LOCK, REG NO 8	20
-	-	1	1	1	-	-	691353-1	STRIPPER	19
-	-	-	-	-	-	..	-	-	13
-	-	-	-	-	-	..	-	-	12
-	-	-	-	-	-	..	-	-	11
-	-	-	-	-	-	..	-	-	10
△	-	1	1	1	1	-	2-853714-0	PLATE, REAR SHEAR	9
△	1	1	1	1	1	-	1633054-2	ANVIL, SPECIAL	8
-	1	1	1	1	1	-	240641-7	SPACER	7
△	-	1	1	1	1	-	1-853720-4	BLADE, SLUG	6
-	1	1	1	1	1	-	238009-4	BLOCK, FL CRIMPER SPACER	4
△	1	1	1	1	1	-	6-456134-6	CRIMPER, INSULATION F PREMIUM	3
-	-	-	-	-	-	..	-	-	2
△	1	1	1	1	1	-	3-456405-9	CRIMPER, WIRE PREMIUM	1



DIMENSIONS: INCHES		TOLERANCES UNLESS OTHERWISE SPECIFIED:		DWN: D. PROUSE 25JUL2007		REV: M. CLIFFORD 25JUL2007	
9 PLC	±.01	1 PLC	±.001	NAME: Tyco Electronics		Tyco Electronics Harrisburg, PA 17105-3608	
3 PLC	±.001	4 PLC	±.0001	PRODUCT SPEC: FINE ADJUST SIDE FEED HDM APPLICATOR		RESTRICTED TO: A1 00779 C=1855311	
MATERIAL: -		FINISH: -		WEIGHT: -		SCALE: 3:5 SHEET 1 OF 1 REV A	
CUSTOMER DRAWING				CUSTOMER VIEWABLE ASSEMBLY			

X-ON Electronics

Largest Supplier of Electrical and Electronic Components

Click to view similar products for [D-Sub Backshells](#) category:

Click to view products by [TE Connectivity](#) manufacturer:

Other Similar products are found below :

[173114-0084](#) [173112-1658](#) [600X51137X](#) [600X54009X](#) [66241-12A](#) [M85049/48-1-2](#) [M85049/48-3-5F](#) [M85049/6-38N](#) [M85049/86-12N03](#)
[70.350.0636.4](#) [70.350.2435.1](#) [72.350.1035.2](#) [72.352.2435.1](#) [73.359.4035.3](#) [799-015TMH07M](#) [799-015TMH08N](#) [FKH1RE](#) [829472-1](#) [F-](#)
[PHG-1E](#) [F-PHG-3E](#) [F-PHG-4E](#) [F-PHR-4E](#) [PCS-E20W](#) [8655MHRA0901KLF](#) [8655MHRA2501KLF](#) [958-009-010R011](#) [970-015-040R011](#)
[970-025-030R121](#) [970-025-040R011](#) [971-009-030R121](#) [971-009-040R011](#) [971-015-040R011](#) [971-025-040R011](#) [GS85049/38-25M](#) [975T009-](#)
[020R121](#) [975T015-020R121](#) [1-21986-2](#) [1-21986-5](#) [DB-20962](#) [DE-C8-J9-F4-1R](#) [DE-C8-J9-F5-1R](#) [DPH-B-003](#) [1437013-9](#) [1484402-8](#)
[MS3057-10A](#) [156-3025-EX](#) [MS3417-16C](#) [16-500800](#) [165X02659X](#) [165X03329A](#)