



Art No. AA0030

Smartphone & Tablet Car Holder

The LogiLink AA0030 Smartphone & Tablet car holder makes you use your mobile devices hand-freely when you are in your car.

Specification:

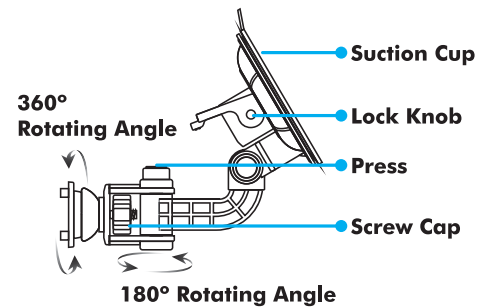
- Light weight, simple operation and conveniently portable
- Perfect adhesion, hot-resistance, abrasion performance
- The specially designed pivot makes no sound and is absolutely silent
- It can be placed vertically or horizontally, and adjusted with a variety of different angles

Package Contents:

- 1 x Smartphone & Tablet Car Holder
- 1 x User Manual

Packaging Information:

- Packing Dimension: 247x233x96 mm
- Packing Weight: 0.33kg
- Carton Dimension: 490 x 380 x 490mm
- Carton Q'ty: 20pcs
- Carton Weight: 7.5kg



X-ON Electronics

Largest Supplier of Electrical and Electronic Components

Click to view similar products for [Screws & Fasteners](#) category:

Click to view products by [Logilink](#) manufacturer:

Other Similar products are found below :

[5721-1440-1/4-SS](#) [593503FX](#) [0098.0094](#) [0098.9206](#) [0098.9219](#) [0098.9221](#) [0098.9262](#) [596-2114-013](#) [59781-4](#) [59781-6](#) [0098.0026](#)
[0098.9210](#) [0098.9212](#) [60227-01](#) [60227-04](#) [60227-08](#) [60228-09](#) [618-00001](#) [62153-03](#) [62153-11](#) [M316-KSSTMCZ100](#) [M3440-SS](#) [M3442-SS](#) [M3448-SS](#) [6291A](#) [6292-1](#) [6-306105-9](#) [6-306131-4](#) [690432-1](#) [699161-000](#) [700989](#) [7-18023-1](#) [7-21002-8](#) [7230-3](#) [7235-3](#) [7248-1](#) [7248-2](#)
[73542-02](#) [CAPTIVE SHORT THUMBSCREW](#) [745564-1](#) [748174-2](#) [F03-02](#) [SUS316](#) [F1209](#) [751-00001](#) [80011](#) [809704-1](#) [8700](#) [8860220](#)
[9047](#) [95000002B](#) [9885-2](#)