



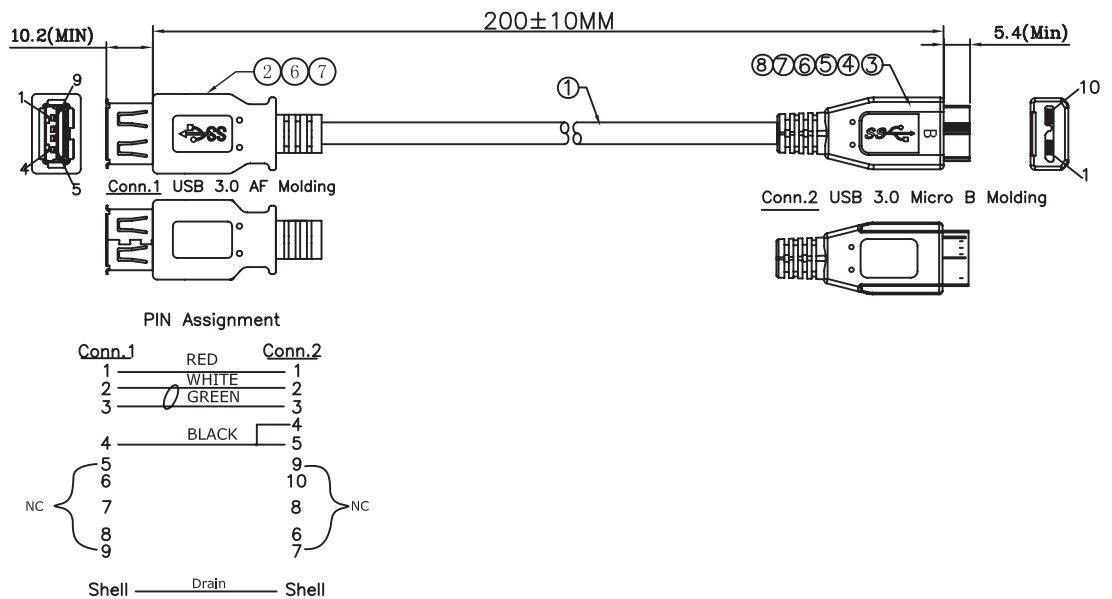
Art No. AA0048

USB3.0 OTG Cable

This adapter cable is used to connect the micro USB 3.0 port of your Samsung Galaxy Note 3/S5 to a compatible USB3.0 device like USB 3.0 memory stick, a USB3.0/2.0 memory card reader, or keyboard.

Features:

- USB 3.0 Micro-B plug to USB 3.0 A type receptacle
- Allows you to connect a USB3.0 memory stick, USB3.0/2.0 memory card reader, or keyboard to your Samsung Galaxy Note 3 or S5
- Allows for convenient PC-free back up of videos and photos from Samsung Galaxy Note 3 or S5 to an external memory stick
- Connects to a keyboard for easier input with your Samsung Galaxy Note 3 or S5
- Ease of carrying



* The specifications and pictures are subject to change without notice.
*All trade names referenced are the registered network of their respective owners.



Made in China



Art No. AA0048

USB3.0 OTG Cable

General Specs

| | |
|---------------|--|
| Connector | USB 3.0 Micro-B plug to USB3.0 A type receptacle |
| Cable Length | 20 cm |
| Color | Black |
| Compatibility | Samsung Galaxy Note3/S5 |

Package Content:

- 1 x USB3.0 OTG Cable

Packaging Information:

- Packing Dimension: 200x80 mm
- Packing Weight: 0.02kg
- Carton Dimension: 500x320x210 mm
- Carton Q'ty: 350pcs
- Carton Weight: 7.8kg



* The specifications and pictures are subject to change without notice.
*All trade names referenced are the registered trademark of their respective owners.



Made in China

X-ON Electronics

Largest Supplier of Electrical and Electronic Components

Click to view similar products for [USB Cables / IEEE 1394 Cables](#) category:

Click to view products by [Logilink](#) manufacturer:

Other Similar products are found below :

[68768-0173](#) [FNY-W6003-01](#) [88764-0800](#) [13805532](#) [148700-1](#) [17-200621](#) [17-250051P](#) [954](#) [AC102012-2](#) [IP-USB1\(C10\)S-RW](#)
[CABLE/RTP/USB/DT](#) [0847290003](#) [10115240-12200LF](#) [RS232-GTD](#) [USBFTVX2SA2N03A](#) [USBFTV2SA2N03A](#) [1689404-1](#) [FTP-](#)
[629Y401](#) [FTP-628Y402](#) [943301-001](#) [FNY-W6022](#) [FNY-W6003-03](#) [1310-1015-05](#) [1310-1019-04](#) [0887283402](#) [UA-30AMFM-SL7B02](#) [UA-](#)
[30AMFM-SL7B01](#) [UA-30AFM-LD7B03](#) [UA-30AMFM-SL7B03](#) [USBAPSCC7202A](#) [UES-1001A160](#) [UES-1003A160](#)
[USBFTVX7SA2N20A](#) [USBFTVX2SA2N20A](#) [USBFTV2PEMSA2N10A](#) [FTP-629Y602](#) [USBCAMCM100](#) [USB A/F*2 to 2.54 2*5P-SH](#)
[L=400mm](#) [EP-CBUSB10P2FLT](#) [1310-1033-01](#) [1310-1037-04](#) [ASR-USB](#) [68784-0075](#) [17-241361](#) [17-230471](#) [217B-BC02](#) [USB-29](#) [19800-](#)
[010500-200-RS](#) [USB+MINI DIN 6P WITH BKT](#) [84729-0025](#)