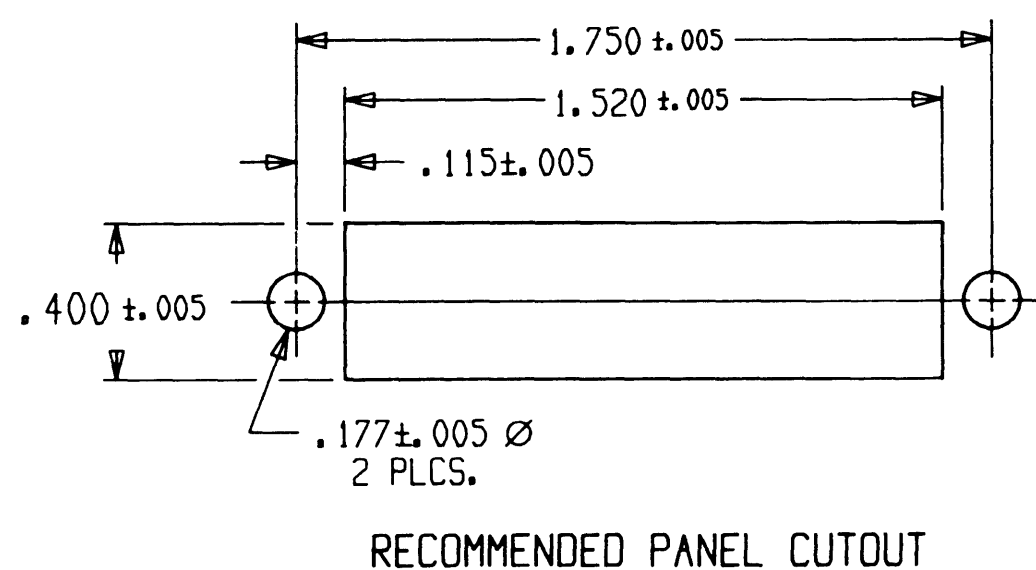
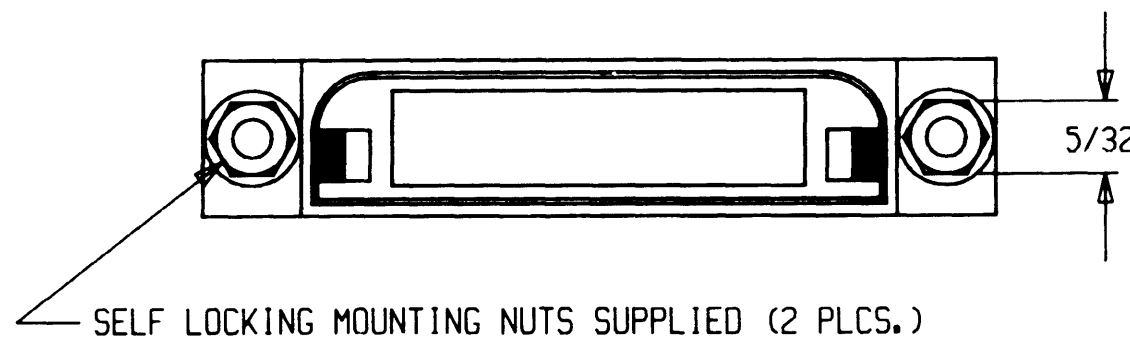
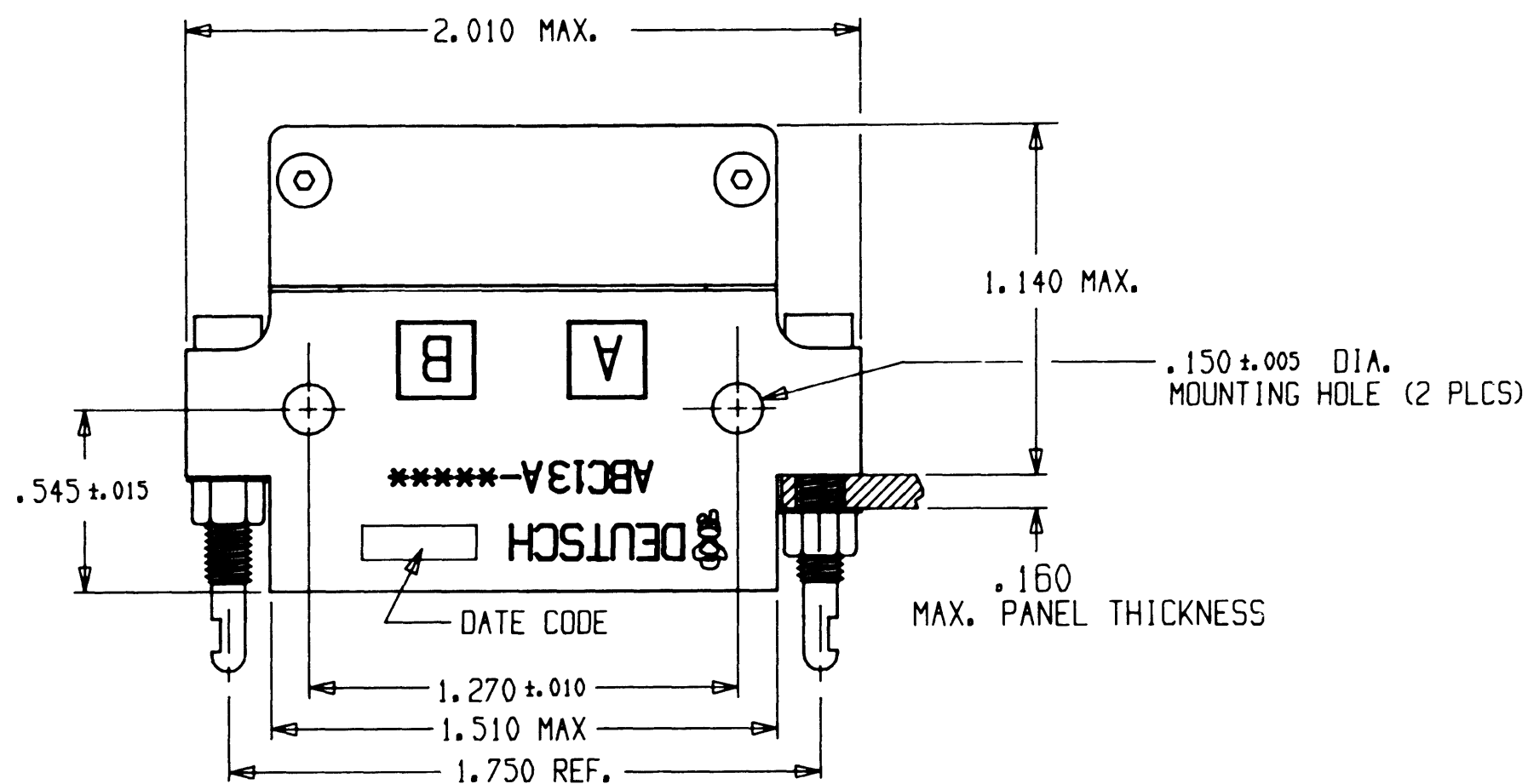
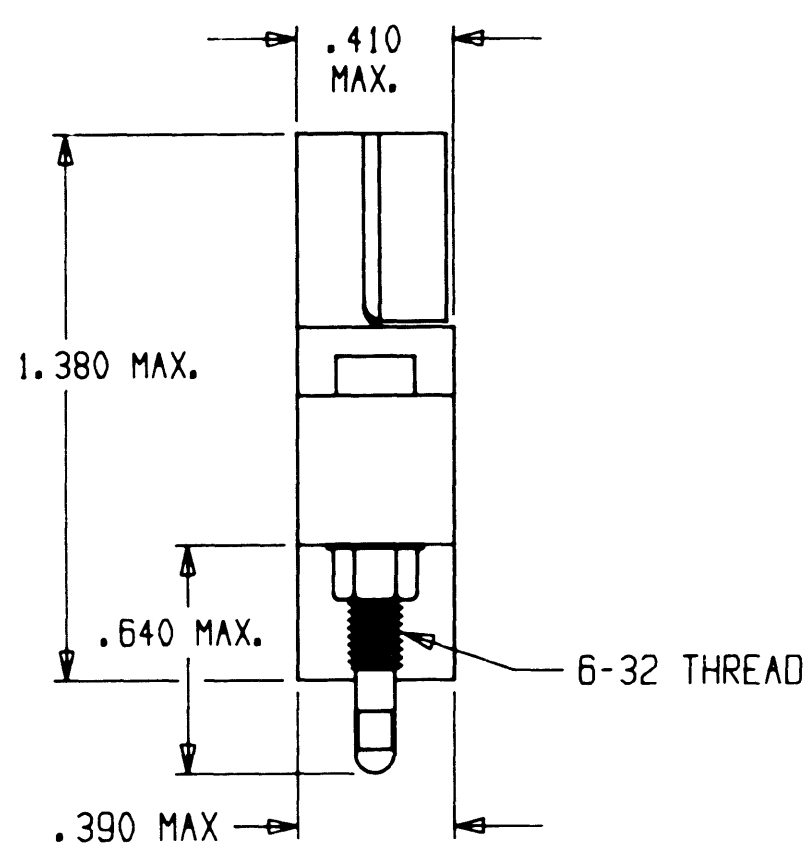


REVISIONS			
SYM	DESCRIPTION	DATE	APPROVED
B	REVISED PER E.O. A 7650	1-26-88	PNL



ABC * * * - * * * * - * * * *
 MODIFICATION
 KEYING POSITIONS
 A THRU Y
 SEE ENVELOPE DWG.
 55500
 MODULE ARRANGEMENTS
 SEE ENVELOPE DWG.
 55500
 7000 = 1 INCH SHELL W/
 NO MODULES
 0000 = 2 INCH SHELL W/
 NO MODULES
 STYLE
 A = PUSH PULL (RECEPT. ONLY) C = JACKSREW
 B = LANYARD RELEASE (PLUG ONLY) D = RACK AND PANEL
 TYPES
 0 = RECEPT. FLANGE MOUNT
 3 = RECEPT. STACK MOUNT
 6 = PLUG
 SHELL SIZE
 1=1 INCH, 2=2 INCH
 BASIC IDENTIFIER

REV	ABC13A-*****
B	

- NOTE:
- DIMENSIONS ARE IN INCHES UNLESS OTHERWISE SPECIFIED.
 - FOR AVAILABILITY CONSULT FACTORY.
 - MATERIAL: SHELL COMPOSITE MATERIAL. METAL COMPONENTS STAINLESS STEEL.
 - FINISH: SHELL DEUTSCH SPECIAL METALIZED SURFACE.
 - MATES WITH ABC PLUG CONNECTOR.
 - SEE DEUTSCH ENVELOPE DRAWINGS FOR: CRIMP TOOL AND POSITIONER. AND SOCKET CONTACTS 12336 **, AND PIN CONTACTS 12331 **.
 - FOR INSERT ARRANGEMENTS AND KEYING POSITIONS SEE ENVELOPE DRAWING 55500.

MATERIAL	SIGNATURE & DATE	RECEPTACLE 1 INCH STACK MOUNTING PUSH PULL COUPLING ABC CONNECTOR ENVELOPE	CP	MATL CODE	
	DR		D. WHITACRE 10/10/86	DEUTSCH ENGINEERED CONNECTING DEVICES Municipal Airport Banning, California	
	CHK		N. LAZAROU 1-26-88	C	ABC13A-*****
	PE		TIM HOLT 10/10/86	DWG SIZE	CODE 11139
FINISH	APPD	R. P. 1-26-88	SHEET	OF	
	SCALE	NONE	WT		

E

D

← C

B

A

X-ON Electronics

Largest Supplier of Electrical and Electronic Components

Click to view similar products for [Rectangular Mil Spec Connectors](#) category:

Click to view products by [TE Connectivity](#) manufacturer:

Other Similar products are found below :

[006-1169-16](#) [CSR31343-0001-00000](#) [CSR31346-0001-A0001](#) [CSR31899-0001-00000](#) [CSR31900-0001-A0001](#) [CTJ-3D-05](#) [CTS-S16/16](#)
[M55302/57A36X](#) [M55302/58-A70Y](#) [65002-062](#) [65008-D08](#) [CY4602-000](#) [732-8020-01](#) [732-8021-02 B](#) [77058-22-55PN](#) [81542-20](#)
[86.030.0053.0](#) [1241346-1](#) [RM252-020-311-2900](#) [DMC-M 08-16 SNE](#) [1589051-4](#) [BACC65CAMA](#) [BACC65CAMN](#) [BACC65CP1PN](#)
[BACI10BC1220PN](#) [18023-9](#) [HSB-D4S03DM222X](#) [2217548-1](#) [891-009-15SA2-BRT1T](#) [SIM2S100A](#) [1604996-2](#) [SMD25PN90L-4055](#)
[1925036-4](#) [220A012-25225-0](#) [22628-10-6P-791](#) [CSR31343-0001-A0001](#) [CSR31899-0001-A0001](#) [CSR31900-0001-00000](#) [33526M11-08PD](#)
[RE04-212S](#) [CTD160E01F-6148](#) [CTJ112E03B](#) [CTJ122E02D-8000](#) [CTJ-3D-12](#) [CTJ920E06N-513](#) [CTJ920E12N-513](#) [CTL-16-090](#) [CTR06-](#)
[5100SY](#) [M55302/63A20H](#) [M55302/66-30H](#)