

SLIDE SWITCH FOR P.C.B. ESP-SPDT SERIES



ESP10XX



ESP20XX



ESP30XX



ESP40XX

■ FEATURES

- The distance of 2 adjacent pins or stacked devices is 2.54 mm pitch
- All plastics are UL 94V-O grade fire retardant
- Low contact resistance and long mechanical life, suitable for signal switching and communication equipments.

■ APPLICATIONS

- Measuring point changeover switches
- Service switch
- Controls for consumer devices

■ SPECIFICATIONS

◆ SPDT TYPE (ESP10,20,30,40 Series)

1. ELECTRICAL CHARACTERISTICS

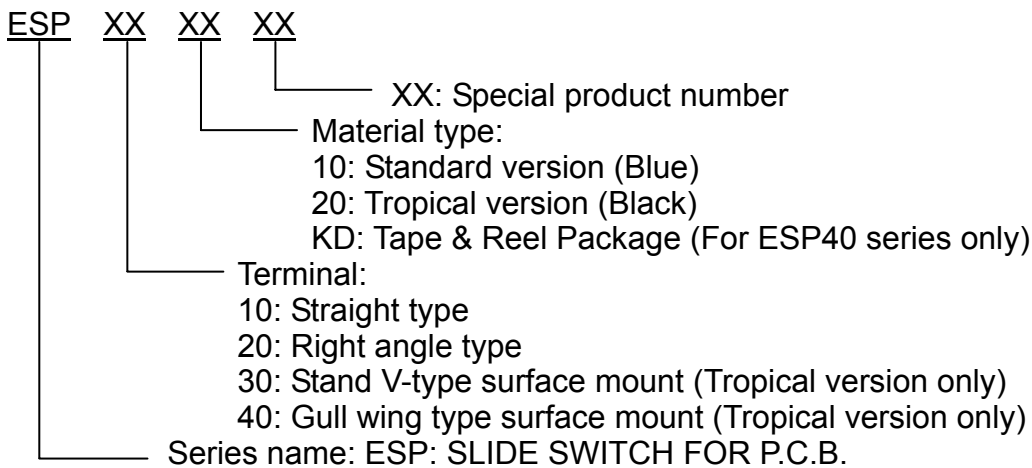
● Contact rating	0.2A, 24VDC; 0.5A, 12VDC
● Minimum contact rating	1mA, 10mV
● Contact resistance	Initial: 50mΩ Max.
	After life test: 100mΩ Max.
● Dielectric strength	2mA, 500VDC for 60sec.
● Capacitance	1.5pF Max.
● Insulation resistance	10000MΩ Min. under 500VDC
● Mechanical life	5000 operations



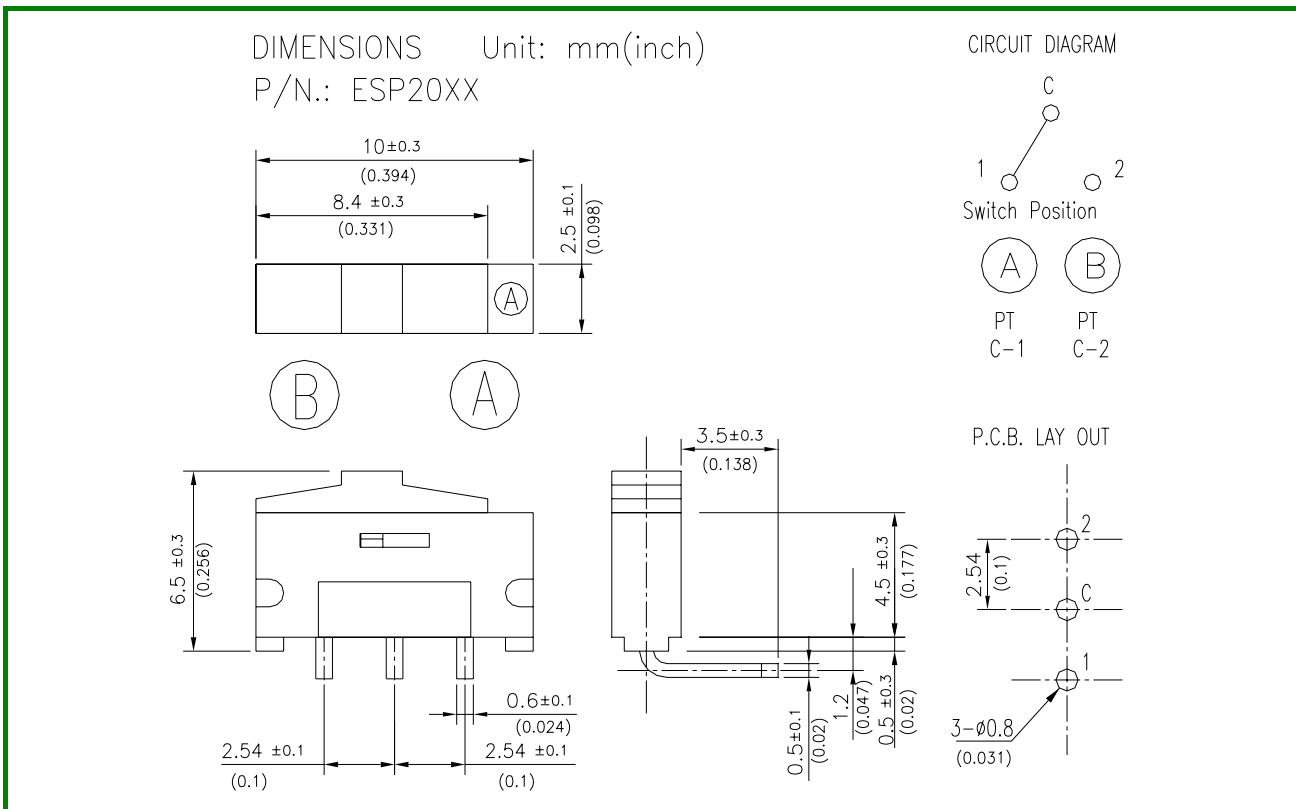
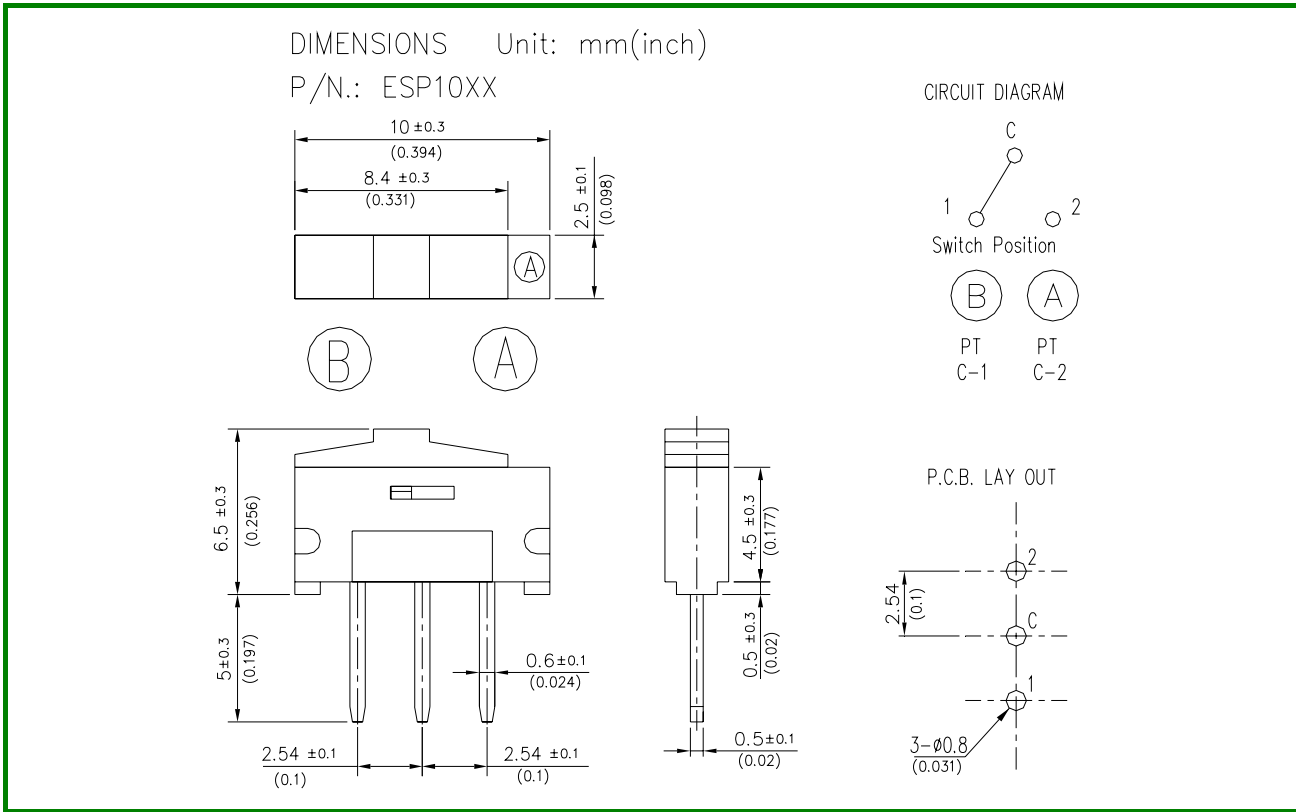
2. GENERAL CHARACTERISTICS

● Temperature range	operating	-25°C ~ +70°C
	storage	-40°C ~ +85°C
● Solder temperature		230°C for 3 sec.
● Vibration		normal operation at 10Hz to 60Hz, 1.5mm movement
● Salt spray		35°C, 5% for 24hours
● Reflow soldering heat for SMT type (reference)		

■ PART NUMBERING SYSTEM

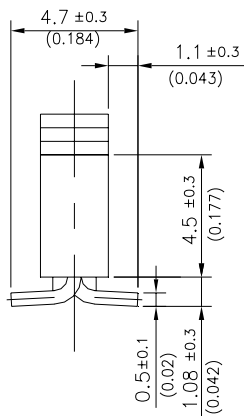
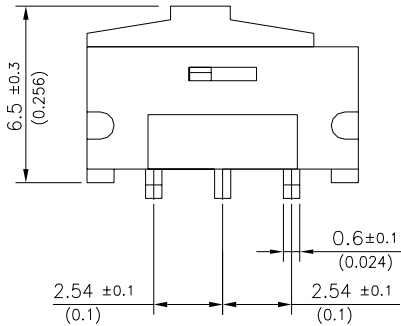
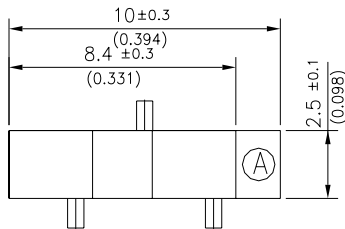


DIMENSIONS AND CIRCUITRY

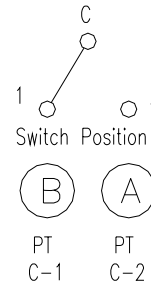


DIMENSIONS Unit: mm(inch)

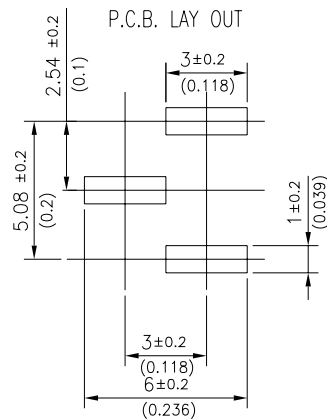
P/N.: ESP30XX



CIRCUIT DIAGRAM

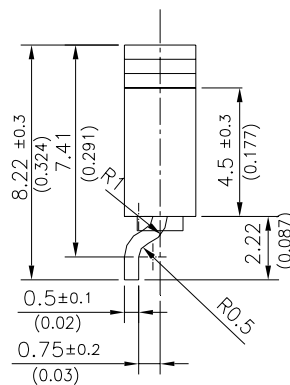
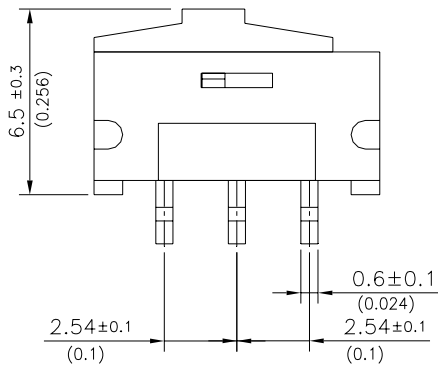
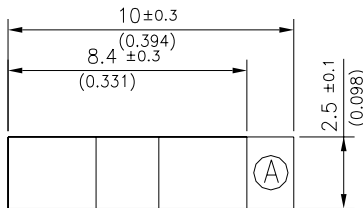


P.C.B. LAY OUT

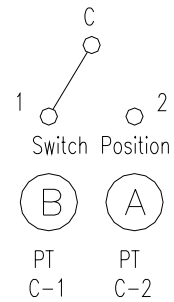


DIMENSIONS Unit: mm(inch)

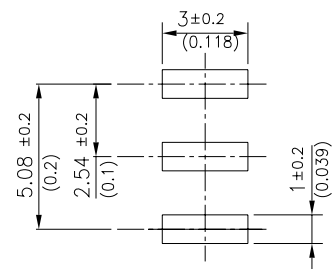
P/N.: ESP40XX



CIRCUIT DIAGRAM



P.C.B. LAY OUT



X-ON Electronics

Largest Supplier of Electrical and Electronic Components

Click to view similar products for [Slide Switches](#) category:

Click to view products by [ECC manufacturer](#):

Other Similar products are found below :

[6-1437581-1](#) [M43R](#) [MHS123K15D](#) [MHSS1104A](#) [MMD](#) [GH49S010001](#) [GH49WW00001](#) [1437576-8](#) [EPS1PC1](#) [1825074-1](#) [1825160-3](#)
[1825167-2](#) [25139NLDB](#) [25436NLDB](#) [25449NAH](#) [25536NA](#) [L101011ML04B](#) [SLB1240R45](#) [SLSA12004](#) [1825078-1](#) [1825080-4](#) [1825081-1](#)
[1825269-1](#) [1825270-2](#) [STS141RA04](#) [T2215BEN506](#) [GF-124-0204](#) [GH46P000001](#) [GH46W000001](#) [GH49P010001](#) [25339NA](#) [25436NLDH](#)
[CST91246FK](#) [TG36P000000](#) [TG36P000050](#) [47227LFE](#) [49331L](#) [MHSS1105A](#) [50208L](#) [HW4S-5LF22N3](#) [L202091MS02Q](#) [4-1437581-7](#)
[X2225CR-437W](#) [48BFSP3M2QT](#) [49329L](#) [1101M1S3ZB8E2](#) [1-1437581-1](#) [EG1218REDACTUATOR](#) [TG39W000000](#) [1825075-1](#)