

4

3

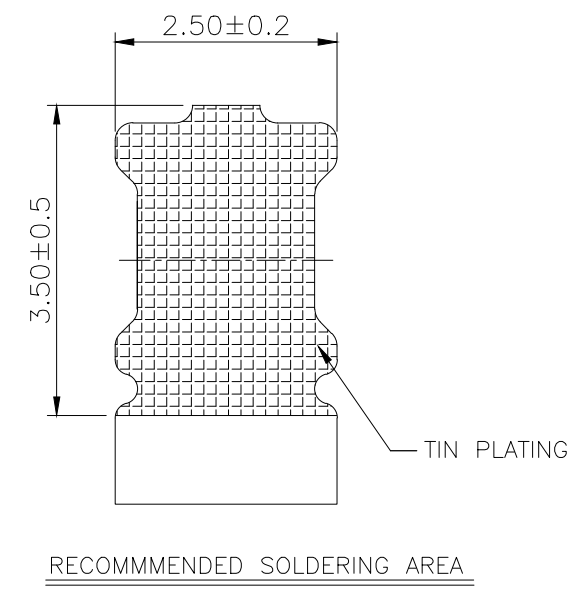
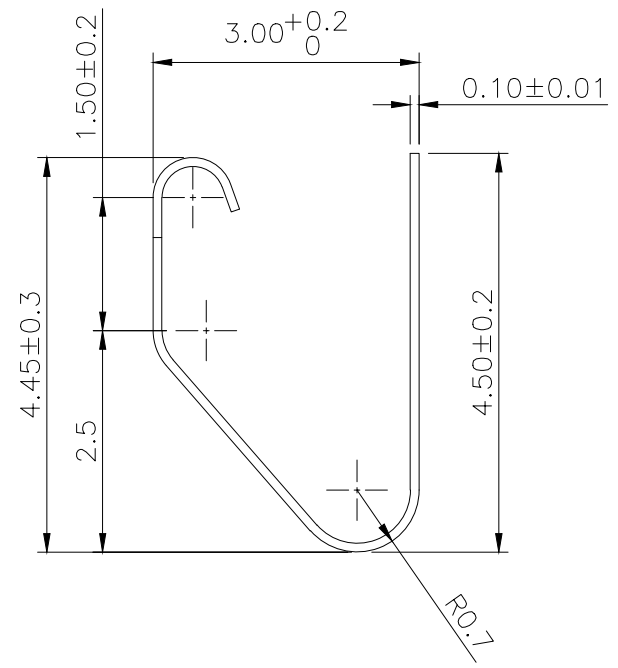
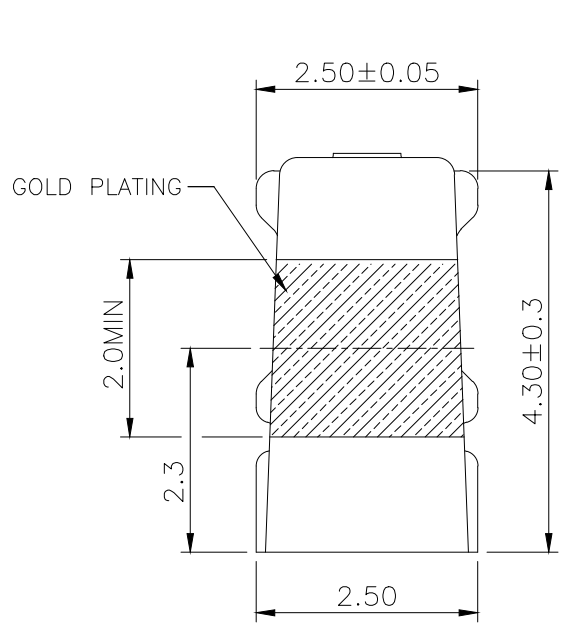
2

1

THIS DRAWING IS UNPUBLISHED. RELEASED FOR PUBLICATION
 © COPYRIGHT 2011 BY TYCO ELECTRONICS CORPORATION. ALL RIGHTS RESERVED.

LOC		DIST		REVISIONS			
P	LTR	DESCRIPTION		DATE	DWN	APVD	
	B	REVISED(ECR-14-014532), ADD NEW PN		08OCT14	S.W.	S.C.	

- NOTES:
1. MATERIAL: TI-CU, T=0.10±0.01
 2. FINISH:
 CONTACT: GOLD PLATING ON THE CONTACT(SEE TABLE)
 100u' MIN TIN PLATING ON THE SOLDERING AREA
 30u" MIN NICKEL UNDER PLATING OVERALL

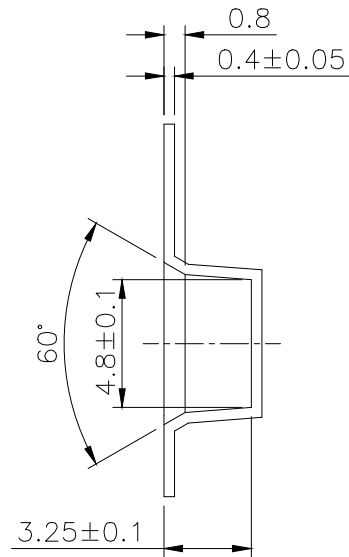
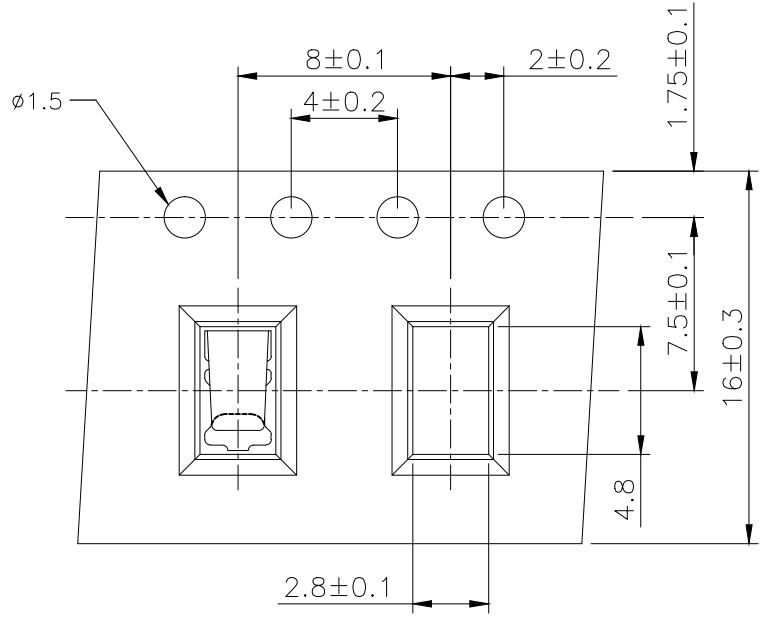


10u"	1734300-2
2u"	1734300-1
Au (Min.)	PART NUMBER

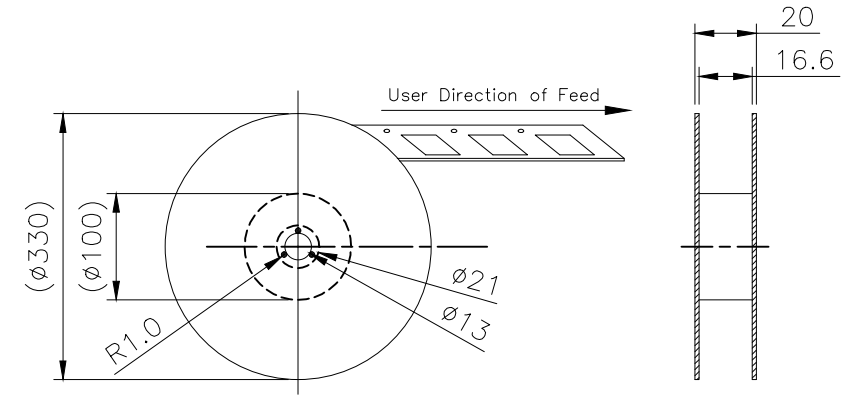
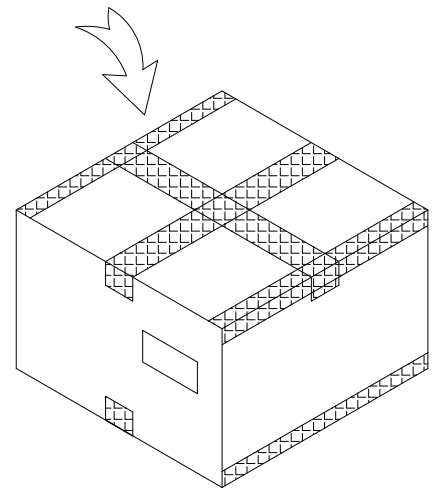
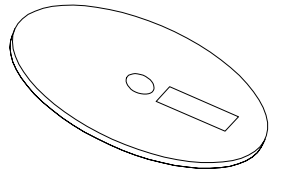
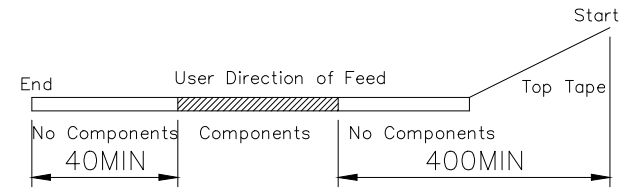
THIS DRAWING IS A CONTROLLED DOCUMENT.		DWN Q. LU 26DEC2004	STE TE Connectivity	
DIMENSIONS: mm		CHK S. HSU 26DEC2004		
TOLERANCES UNLESS OTHERWISE SPECIFIED:		APVD W.J. KE 26DEC2004	NAME SHIELD FINGER 3025-Z1-T	
0 PLC ± - 1 PLC ± 0.3 2 PLC ± 0.15 3 PLC ± 0.03 4 PLC ± - ± 3'		PRODUCT SPEC 108-57507	RESTRICTED TO	
MATERIAL SEE NOTE		QUALIFICATION TEST REPORT 501-57581	SIZE A3	CAGE CODE 00779
FINISH SEE NOTE		WEIGHT 0.021 GRAMS	DRAWING NO C-1734300	REV B
CUSTOMER DRAWING			SCALE	SHEET 1 of 2

THIS DRAWING IS UNPUBLISHED. RELEASED FOR PUBLICATION AUG 2006
 © COPYRIGHT BY TYCO ELECTRONICS CORPORATION. ALL RIGHTS RESERVED.

LOC		DIST		REVISIONS			
P	LTR	DESCRIPTION		DATE	DWN	APVD	
SEE SHEET 1.							



- NOTES:
- QUANTITY:
2500 PCS/REEL
10 REEL/SHIPPING BOX MAX.
 - DIMENSION:
BOX DIM: 340mm*340mm*224mm
 - MATERIAL:
CARRIER TAPE: ACRYLIC FILM
TOP TAPE: PET FILM
REEL: PLASTIC
 - WEIGHT:
NET WEIGHT: 3.3kg
GROSS WEIGHT: 4.8kg



THIS DRAWING IS A CONTROLLED DOCUMENT		DWN	TE Connectivity		
DIMENSIONS: MM		CHK	NAME		
TOLERANCES UNLESS OTHERWISE SPECIFIED: 0 PLC ± - 1 PLC ± 0.12 2 PLC ± - 3 PLC ± - 4 PLC ± - ANGLES ± -		APVD	SHIELD FINGER 3025-Z1-T		
MATERIAL		PRODUCT SPEC	SIZE	CAGE CODE	DRAWING NO
FINISH		APPLICATION SPEC	A3	00779	C-1734300
		WEIGHT	CUSTOMER DRAWING		RESTRICTED TO
		SCALE	SHEET 2 of 2		REV B

X-ON Electronics

Largest Supplier of Electrical and Electronic Components

Click to view similar products for [EMI Gaskets, Sheets, Absorbers & Shielding](#) category:

Click to view products by [TE Connectivity](#) manufacturer:

Other Similar products are found below :

[23-76FSC-SN-24](#) [2-1616323-1](#) [4-1616259-0](#) [3013350A](#) [46J8501020.NN00](#) [3013310A](#) [3013325A](#) [3013308A](#) [3020604](#) [55005106](#) [3021302](#)
[3031313](#) [67SLH050050025PI00](#) [3021310](#) [0137131400](#) [6-34UT-070-BD-16](#) [303076048](#) [46J5N03020.NN00](#) [30206025](#) [260737](#) [30395641](#)
[3030403](#) [3690103020](#) [HNY-LT15CU4241](#) [46X7503020.NN00](#) [46X7501020.NN00](#) [46W5E02520.NN00](#) [46W5E01520.NN00](#) [302095032](#)
[30207032](#) [30210005](#) [46J5N02520.NN00](#) [3021213](#) [3020804](#) [3021004](#) [74273711](#) [74273704](#) [33403](#) [3031210](#) [3031008](#) [3031004](#) [3030903](#)
[30308055](#) [303076016](#) [303045018](#) [303035015](#) [3029564](#) [3025602](#) [3023502](#) [3022303](#)