



IKA standard distribution board, IP65 without clamps

Part no. IKA-1/6-OT
Catalog No. 174204
Eaton Catalog No. IKA-1/6-OT

Delivery program

| | | | |
|--|-------|--|---|
| Basic function | | | Basic device |
| Product function | | | Installation distribution boards |
| Product range | | | IKA standard DBO |
| Design | | | Surface mounted |
| Installation site | | | Indoor |
| Type of installation | | | Surface mounting |
| Door/Flap | | | Transparent |
| Degree of Protection | | | IP65 |
| Colour | | | Grey |
| Module rack | | | Single-rail |
| Shroud for protection against accidental contact | | | Plastic |
| Rows | Count | | 1 |
| Module units per row | | | 6 |
| Description | | | IP65 Protection Class II Plastic enclosure gray (RAL 7035) |
| Cable entries | | | Metric cable entries on top and bottom, back plate |
| PE and N terminals design | | | Without |
| Equipment supplied | | | Basic device Device support rails Locking screws can be sealed Sealing caps Current circuit designation |

Technical data

General

| | | | |
|---|----------------|------|---------------------------|
| Standards | | | EN 62208, IEC/EN 60670-24 |
| RoHS (in accordance with Directive 2002/95/EC of the European Parliament and Council) | | | conform |
| Ambient temperature | | °C | -25 - +40 |
| Degree of Protection | | | IP65 |
| Protection class | | | II (totally insulated) |
| Rated operational voltage | U _e | V AC | 415 |
| Rated frequency | f | Hz | 50 |

Material characteristics

| | | | |
|----------|--|--|-----------------|
| Material | | | ABS (plastic) |
| Colour | | | Gray (RAL 7035) |

Material properties

| | | | |
|-------------------|--|--|------|
| Mechanical | | | |
| Impact resistance | | | IK08 |

Design verification as per IEC/EN 61439

| | | | |
|---|----------------|----|--|
| Technical data for design verification | | | |
| Heat dissipation, at an ambient temperature of 35°C, delta T: 20 degrees, calculated as per IEC 60890 | | | |
| Individual enclosure for wall mounting | P _V | CO | 13 |
| Heat dissipation, at an ambient temperature of 35°C, delta T: 35 degrees, calculated as per IEC 60890 | | | |
| Individual enclosure for wall mounting | P _V | CO | 25 |
| IEC/EN 61439 design verification | | | |
| 10.2 Strength of materials and parts | | | |
| 10.2.2 Corrosion resistance | | | Meets the product standard's requirements. |

| | | | |
|--|--|--|--|
| 10.2.3.1 Verification of thermal stability of enclosures | | | Meets the product standard's requirements. |
| 10.2.3.2 Verification of resistance of insulating materials to normal heat | | | Meets the product standard's requirements. |
| 10.2.3.3 Verification of resistance of insulating materials to abnormal heat and fire due to internal electric effects | | | 650 °C; meets the product standard's requirements. |
| 10.2.4 Resistance to ultra-violet (UV) radiation | | | Not relevant to indoor installations. |
| 10.2.5 Lifting | | | Does not apply to enclosures without lifting aids. |
| 10.2.6 Mechanical impact | | | IK08 |
| 10.2.7 Inscriptions | | | Meets the product standard's requirements. |
| 10.3 Degree of protection of ASSEMBLIES | | | IP65 |
| 10.4 Clearances and creepage distances | | | Is the panel builder's responsibility. |
| 10.5 Protection against electric shock | | | Protection class 2, therefore not applicable. |
| 10.6 Incorporation of switching devices and components | | | Is the panel builder's responsibility. |
| 10.7 Internal electrical circuits and connections | | | Is the panel builder's responsibility. |
| 10.8 Connections for external conductors | | | Is the panel builder's responsibility. |
| 10.9 Insulation properties | | | |
| 10.9.2 Power-frequency electric strength | | | $U_i = 1000 \text{ V AC}$ |
| 10.9.3 Impulse withstand voltage | | | 3.3 kV |
| 10.9.4 Testing of enclosures made of insulating material | | | Meets the product standard's requirements. |
| 10.10 Temperature rise | | | The panel builder is responsible for the temperature rise calculation. Eaton will provide heat dissipation data for the devices. |
| 10.11 Short-circuit rating | | | Is the panel builder's responsibility. |
| 10.12 Electromagnetic compatibility | | | Is the panel builder's responsibility. |
| 10.13 Mechanical function | | | Meets the product standard's requirements. |

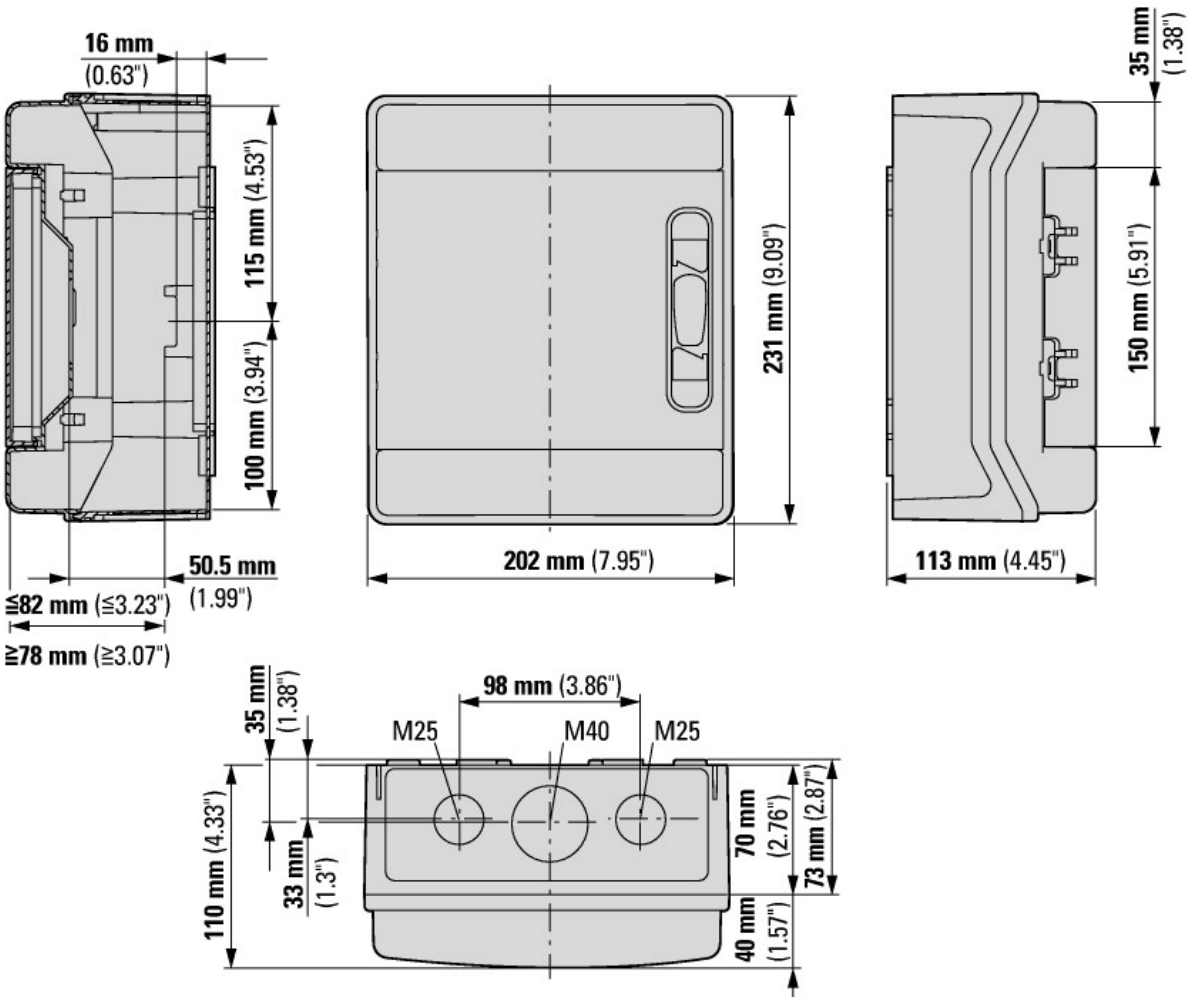
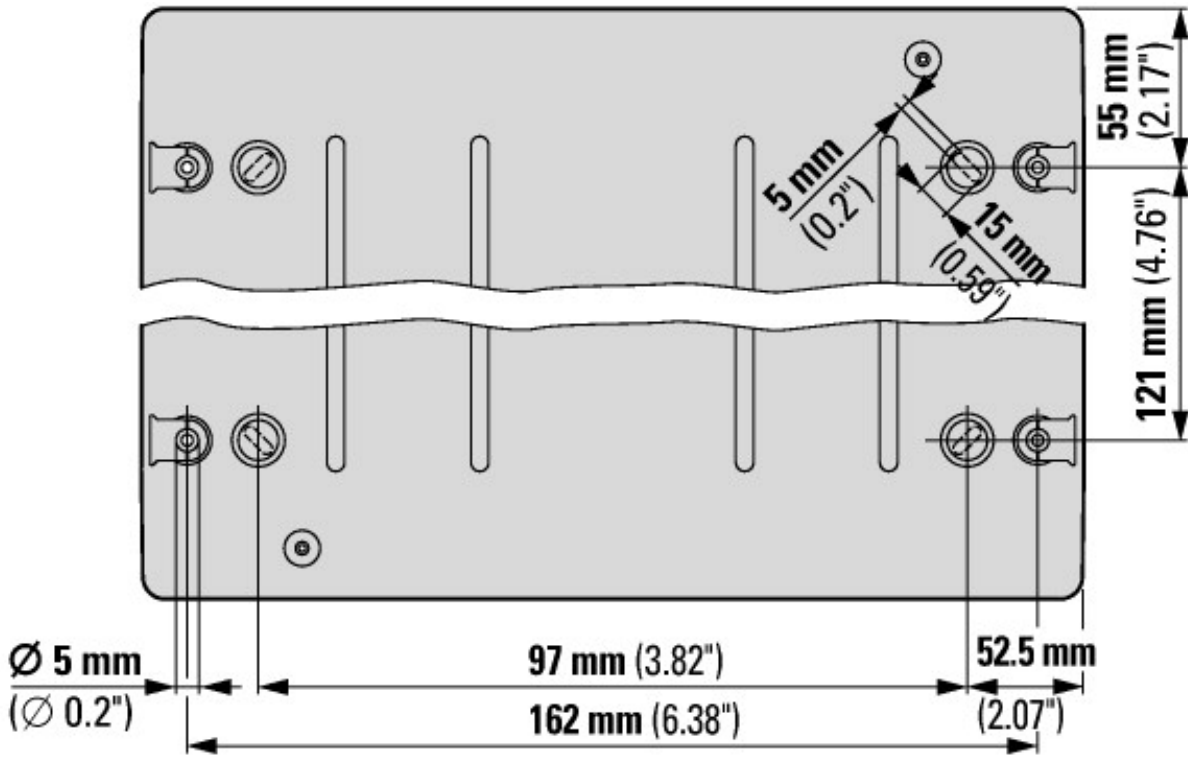
Technical data ETIM 6.0

Distribution boards (EG000023) / Small distribution board (EC000214)

Electric engineering, automation, process control engineering / Electrical installation, device / Electrical distribution system (incl. small distribution board) / Small distribution board (ecl@ss8.1-27-14-24-09 [ACN387008])

| | | | |
|-------------------------------------|--|----|------------------|
| Mounting method | | | Surface mounting |
| Number of rows | | | 1 |
| Width in number of modular spacings | | | 6 |
| Type of cover | | | Door |
| Cover model | | | With notch |
| Transparent cover/door | | | Yes |
| Material housing | | | Plastic |
| Height | | mm | 231 |
| Width | | mm | 202 |
| Depth | | mm | 110 |
| Built-in depth | | mm | 70 |
| Internal depth | | mm | 60 |
| DIN-rail | | | Yes |
| With mounting plate | | | No |
| Extension possible | | | Yes |
| EMC-version | | | No |
| Colour | | | Grey |
| RAL-number | | | 7035 |
| Degree of protection (IP) | | | IP65 |
| With lock | | | No |

Dimensions



Additional product information (links)

IL014003Z IKA compact distribution board

IL014003Z IKA compact distribution board

Product overview (Web)

ftp://ftp.moeller.net/DOCUMENTATION/AWA_INSTRUCTIONS/IL014003ZU2015_03.pdf

<http://www.eaton.eu/DE/Europe/Electrical/ProductsServices/Residential/index.htm>

X-ON Electronics

Largest Supplier of Electrical and Electronic Components

Click to view similar products for [Electrical Enclosures](#) category:

Click to view products by [Eaton](#) manufacturer:

Other Similar products are found below :

[120-902](#) [120-905](#) [120-403](#) [120-475](#) [120-901](#) [127-410](#) [130-007](#) [130-504](#) [130-506](#) [MR-25L+](#) [30-8739](#) [PIP-11774SCREW](#) [30-9715](#) [MR-25LW+](#) [110-407](#) [111-004](#) [111-008](#) [110-402](#) [110-901](#) [110-907](#) [111-002](#) [110-406](#) [110-910](#) [110-404](#) [110-409](#) [110-410](#) [120-405](#) [106-009](#) [106-505](#) [105-401](#) [106-006](#) [104-406](#) [137-002](#) [105-405](#) [111-005](#) [127-909](#) [106-502](#) [130-475](#) [130-503](#) [127-401](#) [106-010](#) [127-455](#) [127-475](#) [110-903](#) [R260-180-300](#) [9511020](#) [9822029](#) [9820014](#) [P61603000P](#) [9823009](#)